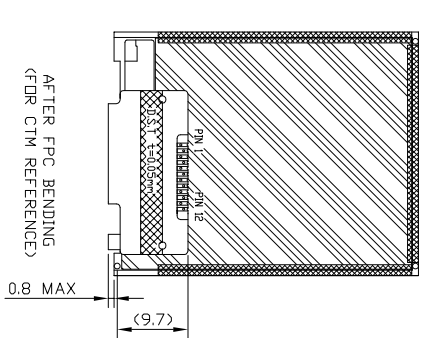
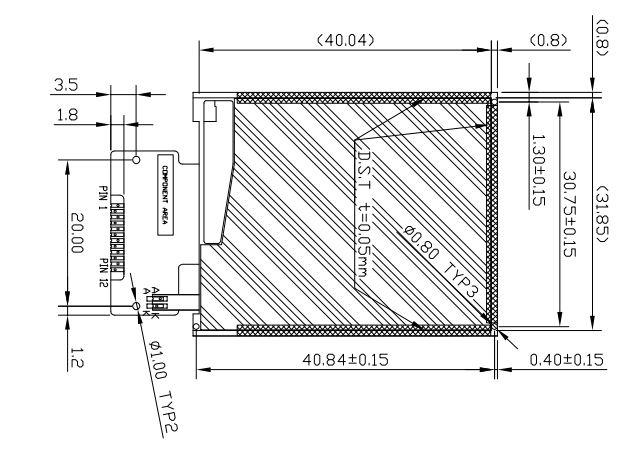
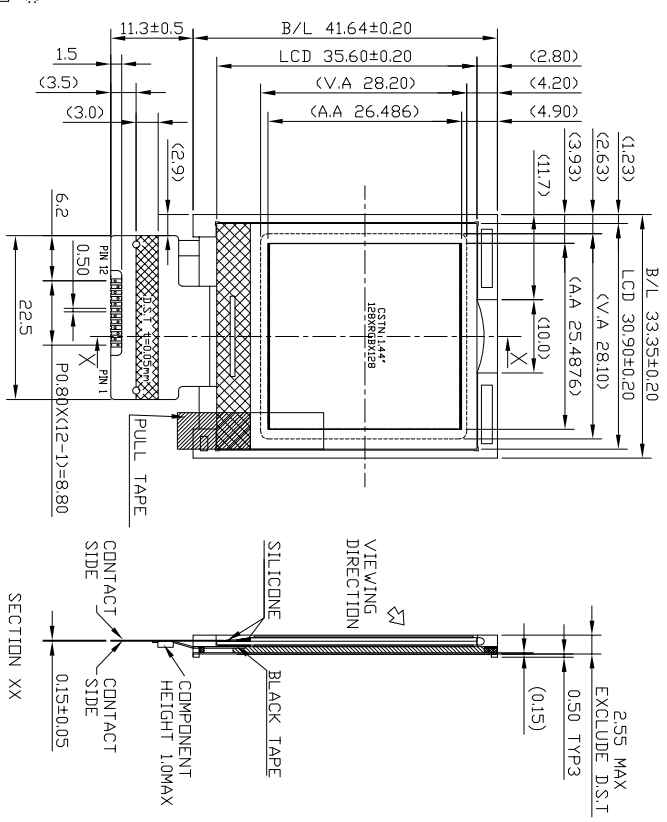
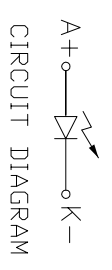


The information contained in this document is proprietary to VARRITRONIX LTD. and shall be protected from any reproduction in part or as a whole without Varritronix's written approval.



**PINS ASSIGNMENT:**

1	VSS
2	LED K
3	LED A
4	VSS
5	/RESET
6	AD
7	SDA
8	SCK
9	VDDA
10	VDDID
11	/CS
12	VSS



DETAIL A  
(FOR REFERENCE ONLY)

0.207	RGB
0.167	RGB
0.0564	RGB
0.0564	RGB

- NOTES:**
1. ◊ : SPECIAL CHARACTERISTIC
  2. + : SAFETY CHARACTERISTIC
  3. ▽ : CRITICAL DIMENSION
  4. (..): REFERENCE DIMENSION

DISPLAY TYPE	CSTN65K
DISPLAY RESOLUTION	128 X RGB X128
VIEWING ANGLE	6.0CLOCK
LCD CONTROLLER/DRIVER	56B3306
LOGIC VOLTAGE/ANALOGIC	-2.8V~2.8V
OPERATING TEMPERATURE	-20°C TO +70°C
STORAGE TEMPERATURE	-30°C TO +80°C
TYPE	LEDUS
COORDINATE	White
COLOR	White
DRIVING VOLTAGE	-3.2V@2mA
LUMINANCE (cd/m²)	Min: 2500
ON THE BACKLIGHT SURFACE	Max: -

**VARRITRONIX LIMITED**

<b>TITLE: SPECIFICATION OF MODULE</b>			
<b>PROJECT NO: COG-C144MVG1-08</b>			
<b>CUSTOMER NO:</b>	<b>N/A</b>		
<b>TOLERANCE UNLESS OTHERWISE SPECIFIED:</b>	XX ±0.3 XXX ±0.1		
<b>DIMENSIONS IN MM</b>			
<b>MATERIAL: N/A</b>	<b>FINISH: N/A</b>		
<b>SCALE: DO NOT ON SCALE</b>	<b>OVERALL THK: N/A</b>		
<b>THIRD ANGLE PROJECTION</b>			
<b>DRAWN:</b>	<b>NAME</b>	<b>SIGN</b>	<b>DATE</b>
CHECKED: CALM ZHONG	ANNA HE		09.11.25
APPROVED: REDSUN ZHANG			
<b>ITEM NO.: COG-C144MVG1-08</b>			
<b>DESCRIPTION: COG-C144MVG1-08</b>			
<b>FILE NO: COG-C144MVG1-08 REV: 0</b>			
<b>SHEET</b>	<b>1</b>	<b>OF</b>	<b>1</b>

ISSUE	AMENDMENT	DATE