

DAC31x2EVM

This document is a user's guide for the DAC31x2EVM, an evaluation fixture for the [DAC3152](#) and [DAC3162](#) (DAC31x2) series of dual-channel, 10-/12-bit, 500-MSPS digital-to-analog converters (DACs). The DAC31x2EVM includes the [TRF3703-33](#) quadrature modulator to facilitate measuring the output signals at a desired RF frequency. The EVM also includes the [CDCP1803](#) clock buffer that distributes the clocks to the DAC, as well as a pattern generator. This EVM is ideally suited for mating with the [TSW3100](#) pattern generation card for evaluating QAM, WCDMA, LTE, or other high-performance modulation schemes. For more information about the DAC31x2 family, see the [product data sheet](#) (available for download at www.ti.com).

Throughout this document, the acronym *EVM* and the phrases *evaluation module* and *evaluation fixture* are synonymous with the DAC31x2EVM.

Contents

1	Introduction	2
2	Testing and Configuration	3

List of Figures

1	DAC31x2EVM Block Diagram.....	2
2	DAC31x2EVM Test Setup	3
3	TSW3100 CommsSignalPattern (WCDMA) Programming GUI	4
4	DAC3162EVM and TRF3703-33 WCDMA Output	5
5	DAC3162EVM Transformer-Coupled Output at 30 MHz IF	6

1 Introduction

1.1 Block Diagram

Figure 1 shows the DAC31x2EVM block diagram.

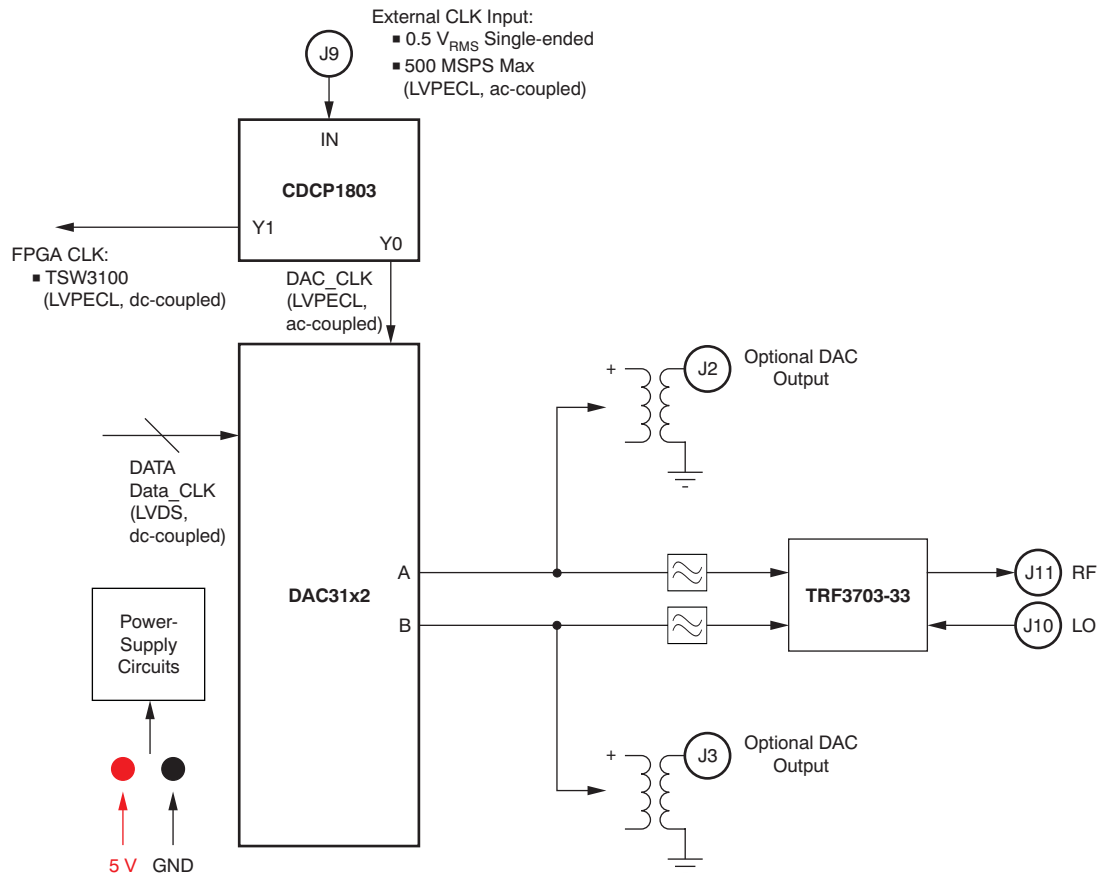


Figure 1. DAC31x2EVM Block Diagram

1.2 Software Control

No software is required to use the DAC31x2EVM.

2 Testing and Configuration

This section outlines the basic procedure for testing the DAC31x2EVM.

2.1 Test Set-Up

Figure 2 illustrates the test configuration for general testing of the DAC31x2 with the TSW3100 pattern generation card.

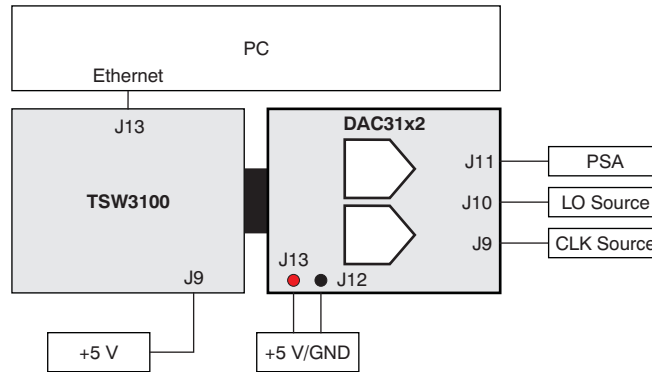


Figure 2. DAC31x2EVM Test Setup

2.2 Test Set-Up Connections

Follow these procedures to properly connect the DAC31x2EVM and the TSW3100 pattern generator.

TSW3100 Pattern Generator:

- Connect a 5-V power supply to J9, the 5V_IN jack of the TSW3100EVM.
- Connect the PC Ethernet port to J13, the Ethernet port of the TSW3100. The cable should be a standard crossover Cat5e Ethernet cable.

DAC31x2EVM:

- Connect the J5 connector of DAC31x2EVM to connector J74 of the TSW3100EVM.
- Connect 5 V and Ground to connectors J12 and J13 respectively.
- Provide a 0.5- V_{RMS} , 500-MHz (max) clock at J9, the CLOCK IN SMA port of the DAC31x2EVM.
- Provide a 7-dBm, 350-MHz to 4-GHz local oscillator (LO) source at port J10 of the DAC31x2EVM. This input provides the LO source to the TRF3703-33 modulators.
- Connect the RF output port of (J11) to the spectrum analyzer.

DAC31x2EVM Jumpers:

Power distribution to the DAC31x2 and CDCP1803 devices on the EVM can be achieved through low-dropout regulators (LDOs) or dc-dc converters. Jumpers JP24, JP25, JP26, and JP27 allow the user to choose one of the power schemes from these two available options. The default setting of these jumpers is shown; these settings use power management for the ICs through dc-dc switchers.

- JP24 on pin {1,2}
- JP25 on pin {1,2}
- JP26 on pin {1,2}
- JP27 on pin {1,2}

Jumper JP4 supplies power to the TRF3703-33 modulator. This jumper must be installed in order to use the modulator.

2.3 TSW3100 Quick-Start Operation

Refer to the [TSW3100 User's Guide](#) for a more detailed discussion of how to set up and operate the TSW3100. This user guide presumes that the TSW3100 software is installed and functioning properly.

CommsSignalPattern Setup from Default Configuration (WCDMA):

- Step 1. Change the interpolation value to *DAC Clock Rate / 3.84* (that is, $491.52/3.84 = 128$).
- Step 2. Enter the desired offset frequency (for example, 30 MHz) for each desired carrier.
- Step 3. Select the **LVDS Output** button.
- Step 4. Select the **Offset Binary** option.
- Step 5. Check the *LOAD and Run* box.
- Step 6. Press the green **Create** button.

Figure 3 shows a screenshot of the properly configured TSW3100 software interface.

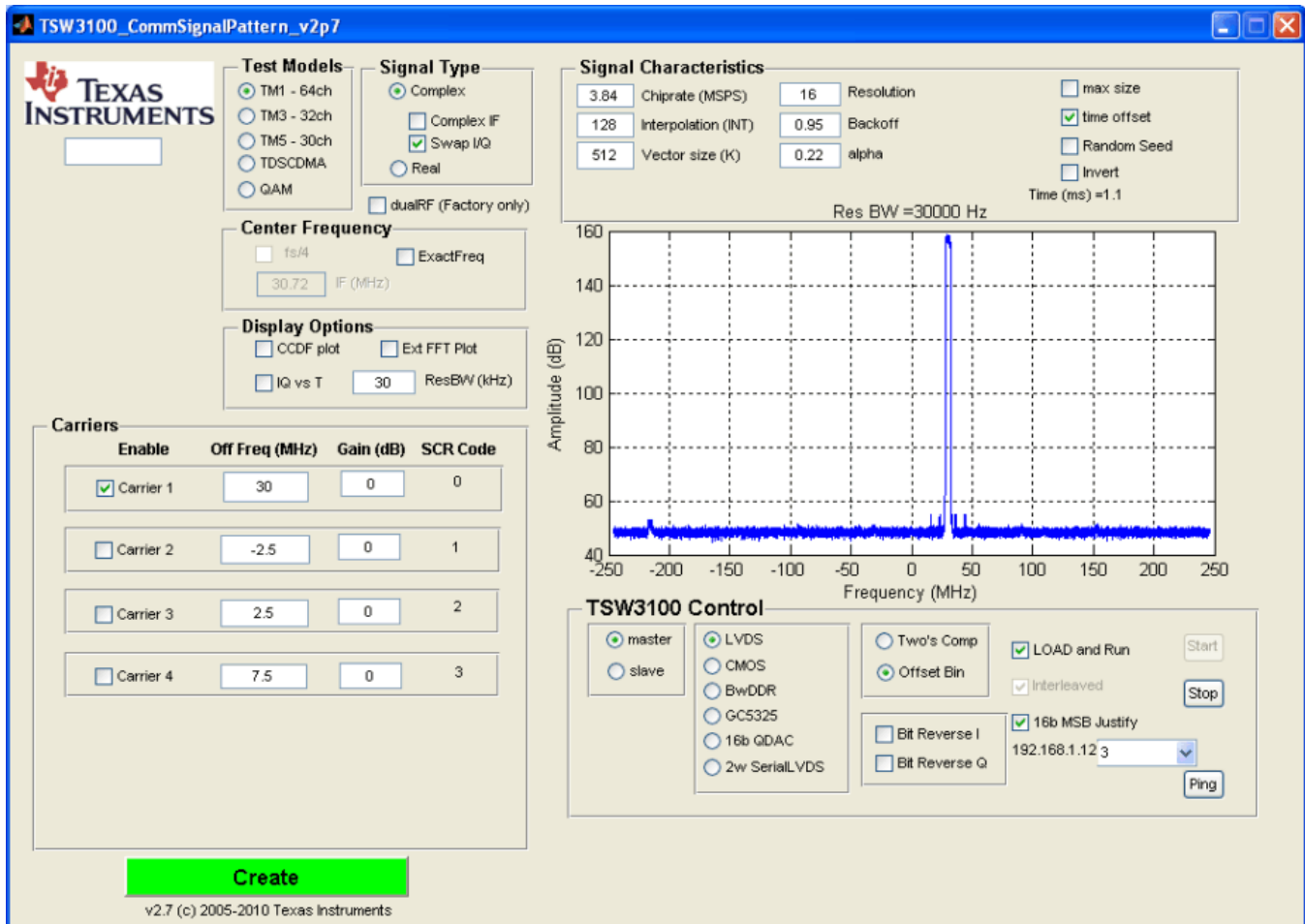


Figure 3. TSW3100 CommsSignalPattern (WCDMA) Programming GUI

2.4 DAC31x2EVM Configuration for Modulator Output

Follow these steps to set up the DAC31x2EVM and perform a spectrum analysis.

- Step 1. Set the clock input to 491.52 MHz at 0.5 V_{RMS} at the J9 SMA connector of the DAC31x2EVM.
- Step 2. Supply the LO source of 900 MHz (7 dBm) at the J10 SMA connector of the DAC31x2EVM.
- Step 3. Turn on power to the board at J12/J13.
- Step 4. Verify the spectrum using the Spectrum Analyzer at the RF output of the DAC31x2EVM (J11).

A typical WCDMA output from a wave analyzer is shown in Figure 4.

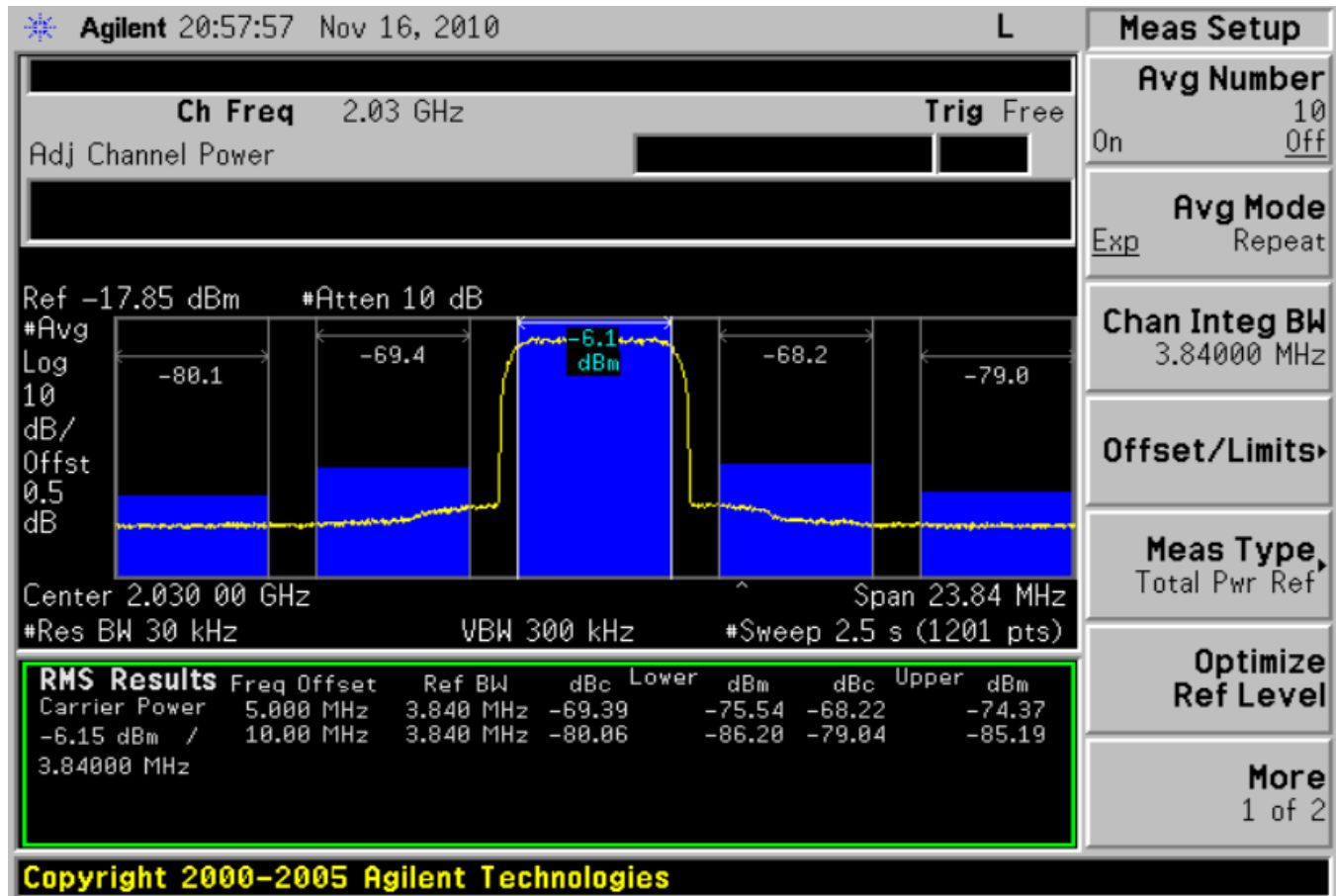


Figure 4. DAC3162EVM and TRF3703-33 WCDMA Output

2.5 DAC31x2EVM Configuration for DAC Output

Follow this procedure to configure the DAC31x2EVM in order to test the EVM signal output.

- Step 1. Four 0-Ω resistors must be moved in order to configure the output of the DAC31x2 as 1:1 transformer-coupled.
 - Remove the resistors R109, R110, R111, and R112
 - Install the resistors R211, R207, R191, and R195
- Step 2. Provide the clock input: 491.52 MHz at 1.5 V_{RMS} at the J9 SMA connector of the DAC31x2EVM.
- Step 3. Turn on power to the board at J12/J13.
- Step 4. Verify the spectrum using the Spectrum Analyzer at the two DAC outputs of the DAC31x2EVM (J3 and J2).

Figure 5 illustrates a typical transformer-coupled output using a wave analyzer.

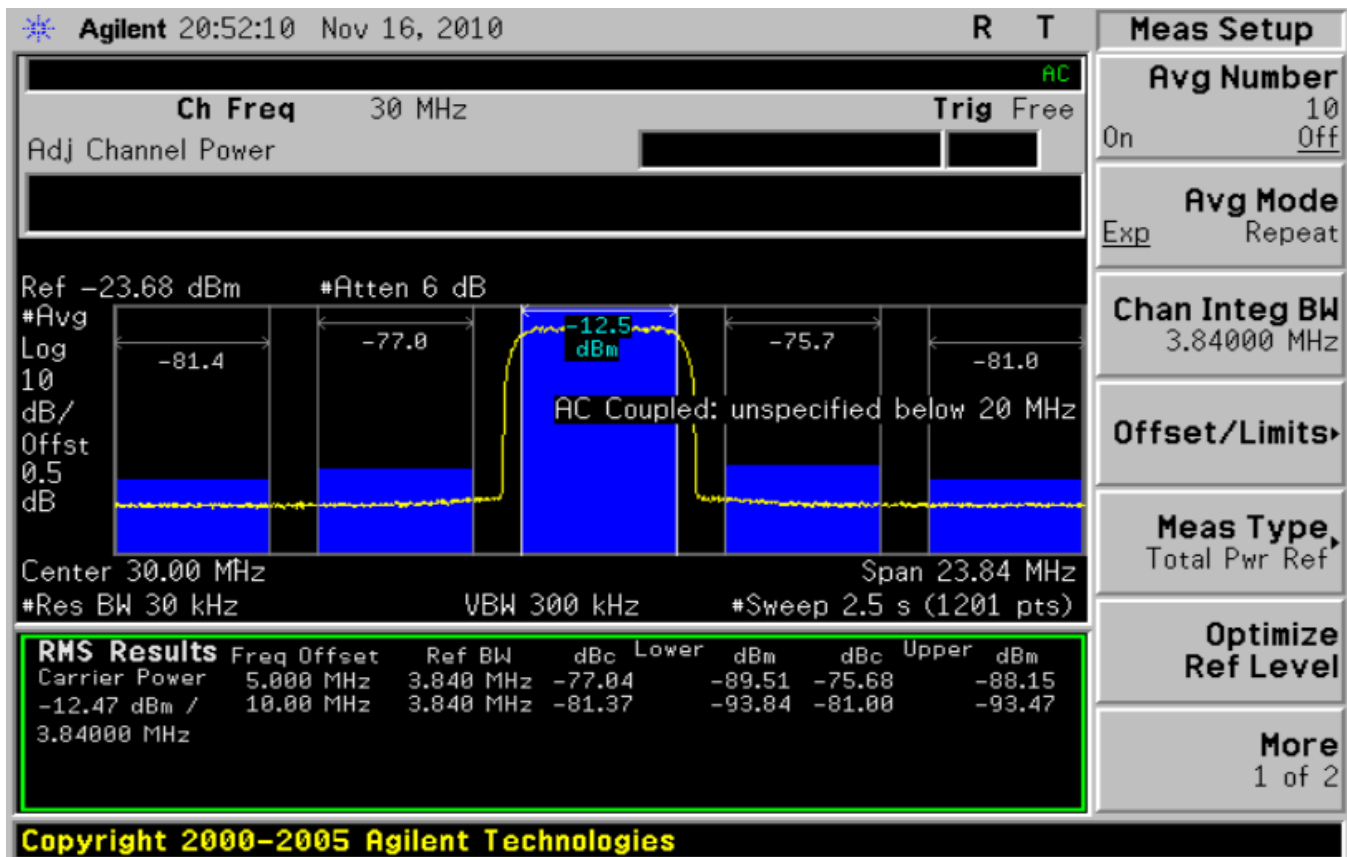


Figure 5. DAC3162EVM Transformer-Coupled Output at 30 MHz IF

Revision History

Changes from Original (November, 2010) to A Revision	Page
• Updated abstract to reflect device availability; removed <i>DAC3172</i> from associated devices	1
• Updated title of Figure 4	5
• Changed title of Figure 5	6

NOTE: Page numbers for previous revisions may differ from page numbers in the current version.

Evaluation Board/Kit Important Notice

Texas Instruments (TI) provides the enclosed product(s) under the following conditions:

This evaluation board/kit is intended for use for **ENGINEERING DEVELOPMENT, DEMONSTRATION, OR EVALUATION PURPOSES ONLY** and is not considered by TI to be a finished end-product fit for general consumer use. Persons handling the product(s) must have electronics training and observe good engineering practice standards. As such, the goods being provided are not intended to be complete in terms of required design-, marketing-, and/or manufacturing-related protective considerations, including product safety and environmental measures typically found in end products that incorporate such semiconductor components or circuit boards. This evaluation board/kit does not fall within the scope of the European Union directives regarding electromagnetic compatibility, restricted substances (RoHS), recycling (WEEE), FCC, CE or UL, and therefore may not meet the technical requirements of these directives or other related directives.

Should this evaluation board/kit not meet the specifications indicated in the User's Guide, the board/kit may be returned within 30 days from the date of delivery for a full refund. **THE FOREGOING WARRANTY IS THE EXCLUSIVE WARRANTY MADE BY SELLER TO BUYER AND IS IN LIEU OF ALL OTHER WARRANTIES, EXPRESSED, IMPLIED, OR STATUTORY, INCLUDING ANY WARRANTY OF MERCHANTABILITY OR FITNESS FOR ANY PARTICULAR PURPOSE.**

The user assumes all responsibility and liability for proper and safe handling of the goods. Further, the user indemnifies TI from all claims arising from the handling or use of the goods. Due to the open construction of the product, it is the user's responsibility to take any and all appropriate precautions with regard to electrostatic discharge.

EXCEPT TO THE EXTENT OF THE INDEMNITY SET FORTH ABOVE, NEITHER PARTY SHALL BE LIABLE TO THE OTHER FOR ANY INDIRECT, SPECIAL, INCIDENTAL, OR CONSEQUENTIAL DAMAGES.

TI currently deals with a variety of customers for products, and therefore our arrangement with the user **is not exclusive.**

TI assumes **no liability for applications assistance, customer product design, software performance, or infringement of patents or services described herein.**

Please read the User's Guide and, specifically, the Warnings and Restrictions notice in the User's Guide prior to handling the product. This notice contains important safety information about temperatures and voltages. For additional information on TI's environmental and/or safety programs, please contact the TI application engineer or visit www.ti.com/esh.

No license is granted under any patent right or other intellectual property right of TI covering or relating to any machine, process, or combination in which such TI products or services might be or are used.

FCC Warning

This evaluation board/kit is intended for use for **ENGINEERING DEVELOPMENT, DEMONSTRATION, OR EVALUATION PURPOSES ONLY** and is not considered by TI to be a finished end-product fit for general consumer use. It generates, uses, and can radiate radio frequency energy and has not been tested for compliance with the limits of computing devices pursuant to part 15 of FCC rules, which are designed to provide reasonable protection against radio frequency interference. Operation of this equipment in other environments may cause interference with radio communications, in which case the user at his own expense will be required to take whatever measures may be required to correct this interference.

EVM Warnings and Restrictions

It is important to operate this EVM within the input voltage range of 5 V to 7 V and the output voltage range of 2.8 V to 3.8 V.

Exceeding the specified input range may cause unexpected operation and/or irreversible damage to the EVM. If there are questions concerning the input range, please contact a TI field representative prior to connecting the input power.

Applying loads outside of the specified output range may result in unintended operation and/or possible permanent damage to the EVM. Please consult the EVM User's Guide prior to connecting any load to the EVM output. If there is uncertainty as to the load specification, please contact a TI field representative.

During normal operation, some circuit components may have case temperatures greater than +55° C. The EVM is designed to operate properly with certain components above +55° C as long as the input and output ranges are maintained. These components include but are not limited to linear regulators, switching transistors, pass transistors, and current sense resistors. These types of devices can be identified using the EVM schematic located in the EVM User's Guide. When placing measurement probes near these devices during operation, please be aware that these devices may be very warm to the touch.

Mailing Address: Texas Instruments, Post Office Box 655303, Dallas, Texas 75265
Copyright © 2011, Texas Instruments Incorporated

IMPORTANT NOTICE

Texas Instruments Incorporated and its subsidiaries (TI) reserve the right to make corrections, modifications, enhancements, improvements, and other changes to its products and services at any time and to discontinue any product or service without notice. Customers should obtain the latest relevant information before placing orders and should verify that such information is current and complete. All products are sold subject to TI's terms and conditions of sale supplied at the time of order acknowledgment.

TI warrants performance of its hardware products to the specifications applicable at the time of sale in accordance with TI's standard warranty. Testing and other quality control techniques are used to the extent TI deems necessary to support this warranty. Except where mandated by government requirements, testing of all parameters of each product is not necessarily performed.

TI assumes no liability for applications assistance or customer product design. Customers are responsible for their products and applications using TI components. To minimize the risks associated with customer products and applications, customers should provide adequate design and operating safeguards.

TI does not warrant or represent that any license, either express or implied, is granted under any TI patent right, copyright, mask work right, or other TI intellectual property right relating to any combination, machine, or process in which TI products or services are used. Information published by TI regarding third-party products or services does not constitute a license from TI to use such products or services or a warranty or endorsement thereof. Use of such information may require a license from a third party under the patents or other intellectual property of the third party, or a license from TI under the patents or other intellectual property of TI.

Reproduction of TI information in TI data books or data sheets is permissible only if reproduction is without alteration and is accompanied by all associated warranties, conditions, limitations, and notices. Reproduction of this information with alteration is an unfair and deceptive business practice. TI is not responsible or liable for such altered documentation. Information of third parties may be subject to additional restrictions.

Resale of TI products or services with statements different from or beyond the parameters stated by TI for that product or service voids all express and any implied warranties for the associated TI product or service and is an unfair and deceptive business practice. TI is not responsible or liable for any such statements.

TI products are not authorized for use in safety-critical applications (such as life support) where a failure of the TI product would reasonably be expected to cause severe personal injury or death, unless officers of the parties have executed an agreement specifically governing such use. Buyers represent that they have all necessary expertise in the safety and regulatory ramifications of their applications, and acknowledge and agree that they are solely responsible for all legal, regulatory and safety-related requirements concerning their products and any use of TI products in such safety-critical applications, notwithstanding any applications-related information or support that may be provided by TI. Further, Buyers must fully indemnify TI and its representatives against any damages arising out of the use of TI products in such safety-critical applications.

TI products are neither designed nor intended for use in military/aerospace applications or environments unless the TI products are specifically designated by TI as military-grade or "enhanced plastic." Only products designated by TI as military-grade meet military specifications. Buyers acknowledge and agree that any such use of TI products which TI has not designated as military-grade is solely at the Buyer's risk, and that they are solely responsible for compliance with all legal and regulatory requirements in connection with such use.

TI products are neither designed nor intended for use in automotive applications or environments unless the specific TI products are designated by TI as compliant with ISO/TS 16949 requirements. Buyers acknowledge and agree that, if they use any non-designated products in automotive applications, TI will not be responsible for any failure to meet such requirements.

Following are URLs where you can obtain information on other Texas Instruments products and application solutions:

Products

Audio	www.ti.com/audio
Amplifiers	amplifier.ti.com
Data Converters	dataconverter.ti.com
DLP® Products	www.dlp.com
DSP	dsp.ti.com
Clocks and Timers	www.ti.com/clocks
Interface	interface.ti.com
Logic	logic.ti.com
Power Mgmt	power.ti.com
Microcontrollers	microcontroller.ti.com
RFID	www.ti-rfid.com
RF/IF and ZigBee® Solutions	www.ti.com/lprf

Applications

Communications and Telecom	www.ti.com/communications
Computers and Peripherals	www.ti.com/computers
Consumer Electronics	www.ti.com/consumer-apps
Energy and Lighting	www.ti.com/energy
Industrial	www.ti.com/industrial
Medical	www.ti.com/medical
Security	www.ti.com/security
Space, Avionics and Defense	www.ti.com/space-avionics-defense
Transportation and Automotive	www.ti.com/automotive
Video and Imaging	www.ti.com/video
Wireless	www.ti.com/wireless-apps

TI E2E Community Home Page

e2e.ti.com

Mailing Address: Texas Instruments, Post Office Box 655303, Dallas, Texas 75265
Copyright © 2011, Texas Instruments Incorporated