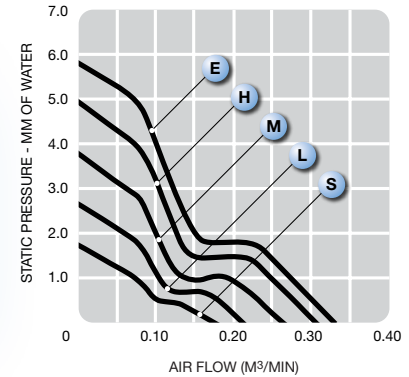
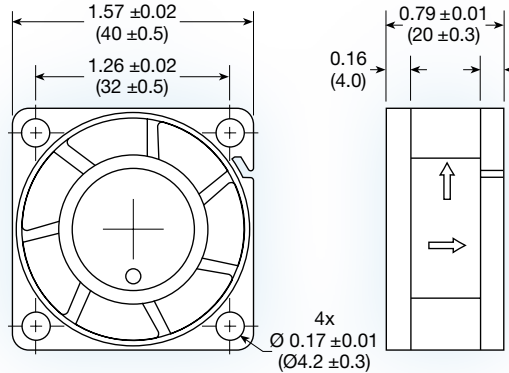


G4020 series

**(40 x 40 x 20 mm)**

1.57 x 1.57 x 0.79 inches

Construction: UL94V-0 PBT impeller & frame

Bearing option: ball bearing or sleeve

Connection: AWG 26, UL1007 lead wires

Frame: ribbed

Protection: thermal

Options: tachometer output or locked rotor alarm signal; encapsulated motor; PWM speed control

| Model No. | Rated Voltage V | Current mA | | | Speed RPM | Air Volume | | Max. Static Pressure (H ₂ O) | | Sound Noise dBa | Weight g |
|-----------|--------------------|------------|-----|-----|--------------|----------------------|-------|---|------|--------------------|-------------|
| | | 5 | 12 | 24 | | M ³ /Min. | CFM | MM | INCH | | |
| G4020S | 5/12 | 120 | 50 | - | 4,000 | 0.18 | 6.00 | 1.74 | 0.07 | 21 | 28 |
| G4020L | 5/12 | 160 | 70 | - | 5,000 | 0.22 | 8.00 | 2.66 | 0.11 | 23 | 28 |
| G4020M | 5/12/24 | 220 | 95 | 65 | 6,000 | 0.26 | 9.00 | 3.75 | 0.15 | 26 | 28 |
| G4020H | 5/12/24 | 300 | 130 | 80 | 7,000 | 0.31 | 11.00 | 4.98 | 0.20 | 29 | 28 |
| G4020E | 5/12/24 | 440 | 160 | 110 | 8,000 | 0.33 | 11.70 | 5.81 | 0.23 | 32 | 28 |