



- 1
- 2
- 3
- 4
- 5
- 6
- 7
- 8
- 9
- 10
- 11
- 12
- 13
- 14
- 15
- 16
- 17
- 18

MATERIAL

High-strength, reinforced phenolic based (PF) Duroplast, black colour, glossy finish.

RING

Matte anodised aluminium.
(ELESA Original design - Reg. U.S. Pat. & TM Off.)

STANDARD EXECUTIONS

AISI 303 stainless steel hub with H7 reamed hole:
 - **VDN.FP-SST-A**: without handle.
 - **VDN.FP+I-SST-A**: with revolving handle I.301+x-SST (see page 405) in Duroplast.
 - **K**: index for executions with hole and keyway in compliance with DIN 6885/1 (see page A-16), tolerance P9 i.e.:
 73695-10-K VDN.80 FP-SST-A-10-K
 AISI 303 stainless steel hub not drilled in order to make holes different from the standard:
 - **VDN.FP-SST**: without handle.
 - **VDN.FP+I-SST**: with revolving handle I.301+x-SST (see page 405) in Duroplast.

ACCESSORIES ON REQUEST

Axial retaining washer in AISI 303 stainless steel GN 184.5 (see page 677).

SPECIAL EXECUTIONS ON REQUEST

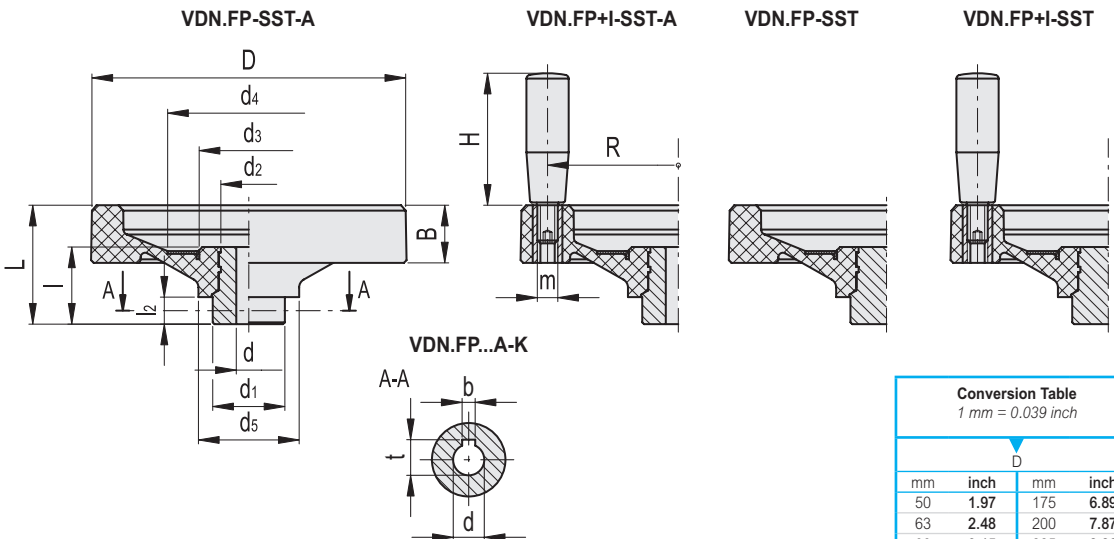
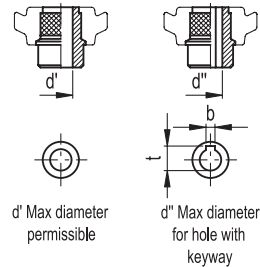
Handwheels with incorporated balancing counterweights.

ERGONOMY

The rim with internal rear scallops makes the grip and the manoeuvre of the handwheel easier.



ELESA Original design



| Conversion Table | | | |
|-------------------|------|-----|-------|
| 1 mm = 0.039 inch | | | |
| D | | | |
| mm | inch | mm | inch |
| 50 | 1.97 | 175 | 6.89 |
| 63 | 2.48 | 200 | 7.87 |
| 80 | 3.15 | 225 | 8.86 |
| 100 | 3.94 | 249 | 9.80 |
| 125 | 4.92 | 301 | 11.85 |
| 140 | 5.51 | 350 | 13.80 |
| 150 | 5.90 | | |

VDN.FP-SST-A

INOX STAINLESS STEEL METRIC

| Code | Description | D | dH7 | L | B | d1 | d2 | d3 | d4 | d5 | l | l2 | d' | d'' | t | b | C# [Nm] | L# [J] | ⚖ |
|----------|--------------------|-----|-----|----|----|----|------|----|-----|----|----|----|----|-----|------|----|------------|-----------|------|
| 73695-10 | VDN.80 FP-SST-A10 | 80 | 10 | 31 | 14 | 20 | 18 | 28 | 43 | 30 | 28 | 10 | 13 | 11 | 12.8 | 4 | 120 | 5 | 120 |
| 73695-12 | VDN.80 FP-SST-A12 | 80 | 12 | 31 | 14 | 20 | 18 | 28 | 43 | 30 | 28 | 10 | 13 | 11 | 12.8 | 4 | 120 | 5 | 115 |
| 73713-10 | VDN.100 FP-SST-A10 | 100 | 10 | 40 | 15 | 24 | 22 | 35 | 54 | 39 | 36 | 12 | 16 | 13 | 15.3 | 5 | 150 | 6 | 324 |
| 73713-12 | VDN.100 FP-SST-A12 | 100 | 12 | 40 | 15 | 24 | 22 | 35 | 54 | 39 | 36 | 12 | 16 | 13 | 15.3 | 5 | 150 | 6 | 322 |
| 73722-12 | VDN.125 FP-SST-A12 | 125 | 12 | 44 | 15 | 32 | 26.5 | 44 | 70 | 46 | 38 | 15 | 20 | 16 | 18.3 | 5 | 300 | 8 | 493 |
| 73722-14 | VDN.125 FP-SST-A14 | 125 | 14 | 44 | 15 | 32 | 26.5 | 44 | 70 | 46 | 38 | 15 | 20 | 16 | 18.3 | 5 | 300 | 8 | 490 |
| 73733-14 | VDN.150 FP-SST-A14 | 150 | 14 | 49 | 18 | 32 | 26.5 | 44 | 70 | 48 | 38 | 15 | 20 | 16 | 18.3 | 5 | 400 | 14 | 662 |
| 73733-16 | VDN.150 FP-SST-A16 | 150 | 16 | 49 | 18 | 32 | 26.5 | 44 | 70 | 48 | 38 | 15 | 20 | 16 | 18.3 | 5 | 400 | 14 | 659 |
| 73753-18 | VDN.200 FP-SST-A18 | 200 | 18 | 58 | 22 | 40 | 33 | 55 | 90 | 60 | 43 | 15 | 26 | 22 | 24.8 | 6 | 600 | 18 | 1196 |
| 73753-20 | VDN.200 FP-SST-A20 | 200 | 20 | 58 | 22 | 40 | 33 | 55 | 90 | 60 | 43 | 15 | 26 | 22 | 24.8 | 6 | 600 | 18 | 1192 |
| 73773-22 | VDN.250 FP-SST-A22 | 249 | 22 | 65 | 25 | 49 | 40 | 66 | 110 | 70 | 44 | 15 | 35 | 27 | 30.3 | 8 | 1000 | 28 | 1982 |
| 73773-24 | VDN.250 FP-SST-A24 | 249 | 24 | 65 | 25 | 49 | 40 | 66 | 110 | 70 | 44 | 15 | 35 | 27 | 30.3 | 8 | 1000 | 28 | 1982 |
| 73785-26 | VDN.300 FP-SST-A26 | 301 | 26 | 75 | 25 | 58 | 58 | 94 | 148 | 82 | 56 | 18 | 42 | 38 | 41.3 | 10 | 1100 | 35 | 2685 |

VDN.FP+I-SST-A

INOX STAINLESS STEEL METRIC

| Code | Description | D | dH7 | L | B | d1 | d2 | d3 | d4 | d5 | l | l2 | H | m | R | d' | d'' | t | b | C# [Nm] | L# [J] | ⚖ |
|----------|----------------------|-----|-----|----|----|----|------|----|-----|----|------|----|----|-----|-----|----|-----|------|----|------------|-----------|------|
| 73715-10 | VDN.100 FP+I-SST-A10 | 100 | 10 | 46 | 21 | 24 | 20 | 35 | 54 | 39 | 33.5 | 12 | 50 | M6 | 39 | 16 | 13 | 15.3 | 5 | 150 | 6 | 361 |
| 73715-12 | VDN.100 FP+I-SST-A12 | 100 | 12 | 46 | 21 | 24 | 20 | 35 | 54 | 39 | 33.5 | 12 | 50 | M6 | 39 | 16 | 13 | 15.3 | 5 | 150 | 6 | 358 |
| 73725-12 | VDN.125 FP+I-SST-A12 | 125 | 12 | 57 | 28 | 32 | 26.5 | 44 | 70 | 46 | 38 | 15 | 65 | M8 | 50 | 20 | 16 | 18.3 | 5 | 300 | 8 | 568 |
| 73725-14 | VDN.125 FP+I-SST-A14 | 125 | 14 | 57 | 28 | 32 | 26.5 | 44 | 70 | 46 | 38 | 15 | 65 | M8 | 50 | 20 | 16 | 18.3 | 5 | 300 | 8 | 565 |
| 73735-14 | VDN.150 FP+I-SST-A14 | 150 | 14 | 61 | 30 | 32 | 26.5 | 50 | 80 | 48 | 38 | 15 | 65 | M8 | 62 | 20 | 16 | 18.3 | 5 | 400 | 14 | 737 |
| 73735-16 | VDN.150 FP+I-SST-A16 | 150 | 16 | 61 | 30 | 32 | 26.5 | 50 | 80 | 48 | 38 | 15 | 65 | M8 | 62 | 20 | 16 | 18.3 | 5 | 400 | 14 | 734 |
| 73755-18 | VDN.200 FP+I-SST-A18 | 200 | 18 | 68 | 32 | 40 | 33 | 55 | 90 | 60 | 43 | 15 | 90 | M10 | 82 | 26 | 22 | 24.8 | 6 | 600 | 18 | 1314 |
| 73755-20 | VDN.200 FP+I-SST-A20 | 200 | 20 | 68 | 32 | 40 | 33 | 55 | 90 | 60 | 43 | 15 | 90 | M10 | 82 | 26 | 22 | 24.8 | 6 | 600 | 18 | 1308 |
| 73775-22 | VDN.250 FP+I-SST-A22 | 249 | 22 | 76 | 36 | 49 | 40 | 66 | 110 | 70 | 44.5 | 15 | 90 | M10 | 106 | 35 | 27 | 30.3 | 8 | 1000 | 28 | 2100 |
| 73775-24 | VDN.250 FP+I-SST-A24 | 249 | 24 | 76 | 36 | 49 | 40 | 66 | 110 | 70 | 44.5 | 15 | 90 | M10 | 106 | 35 | 27 | 30.3 | 8 | 1000 | 28 | 2097 |
| 73786-26 | VDN.300 FP+I-SST-A26 | 301 | 26 | 87 | 36 | 58 | 58 | 94 | 148 | 82 | 56 | 18 | 90 | M10 | 132 | 42 | 38 | 41.3 | 10 | 1100 | 35 | 2803 |

VDN.FP-SST

INOX STAINLESS STEEL METRIC

| Code | Description | D | L | B | d1 | d2 | d3 | d4 | d5 | l | l2 | d' | d'' | t | b | C# [Nm] | L# [J] | ⚖ |
|-------|----------------|-----|----|----|----|------|----|-----|----|----|----|----|-----|------|----|------------|-----------|------|
| 73695 | VDN.80 FP-SST | 80 | 31 | 14 | 20 | 18 | 28 | 43 | 30 | 28 | 10 | 13 | 11 | 12.8 | 4 | 120 | 5 | 146 |
| 73713 | VDN.100 FP-SST | 100 | 40 | 15 | 24 | 22 | 35 | 54 | 39 | 36 | 12 | 16 | 13 | 15.3 | 5 | 150 | 6 | 263 |
| 73722 | VDN.125 FP-SST | 125 | 44 | 15 | 32 | 26.5 | 44 | 70 | 46 | 38 | 15 | 20 | 16 | 18.3 | 5 | 300 | 8 | 389 |
| 73733 | VDN.150 FP-SST | 150 | 49 | 18 | 32 | 26.5 | 44 | 70 | 48 | 38 | 15 | 20 | 16 | 18.3 | 5 | 400 | 14 | 528 |
| 73753 | VDN.200 FP-SST | 200 | 58 | 22 | 40 | 33 | 55 | 90 | 60 | 43 | 15 | 26 | 22 | 24.8 | 6 | 600 | 18 | 989 |
| 73773 | VDN.250 FP-SST | 249 | 65 | 25 | 49 | 40 | 66 | 110 | 70 | 44 | 15 | 35 | 27 | 30.3 | 8 | 1000 | 28 | 1728 |
| 73785 | VDN.300 FP-SST | 301 | 75 | 25 | 58 | 58 | 94 | 148 | 82 | 56 | 18 | 42 | 38 | 41.3 | 10 | 1100 | 35 | 2978 |

VDN.FP+I-SST

INOX STAINLESS STEEL INOX STAINLESS STEEL

| Code | Description | D | L | B | d1 | d2 | d3 | d4 | d5 | l | l2 | H | m | R | d' | d'' | t | b | C# [Nm] | L# [J] | ⚖ |
|-------|------------------|-----|----|----|----|------|----|-----|----|------|----|----|-----|-----|----|-----|------|----|------------|-----------|------|
| 73715 | VDN.100 FP+I-SST | 100 | 46 | 21 | 24 | 20 | 35 | 54 | 39 | 33.5 | 12 | 50 | M6 | 39 | 16 | 13 | 15.3 | 5 | 150 | 6 | 309 |
| 73725 | VDN.125 FP+I-SST | 125 | 57 | 28 | 32 | 26.5 | 44 | 70 | 46 | 38 | 15 | 65 | M8 | 50 | 20 | 16 | 18.3 | 5 | 300 | 8 | 564 |
| 73735 | VDN.150 FP+I-SST | 150 | 61 | 30 | 32 | 26.5 | 50 | 80 | 48 | 38 | 15 | 65 | M8 | 62 | 20 | 16 | 18.3 | 5 | 400 | 14 | 711 |
| 73755 | VDN.200 FP+I-SST | 200 | 68 | 32 | 40 | 33 | 55 | 90 | 60 | 43 | 15 | 90 | M10 | 82 | 26 | 22 | 24.8 | 6 | 600 | 18 | 1248 |
| 73775 | VDN.250 FP+I-SST | 249 | 76 | 36 | 49 | 40 | 66 | 110 | 70 | 44.5 | 15 | 90 | M10 | 106 | 35 | 27 | 30.3 | 8 | 1000 | 28 | 2144 |
| 73786 | VDN.300 FP+I-SST | 301 | 87 | 36 | 58 | 58 | 94 | 148 | 82 | 56 | 18 | 90 | M10 | 132 | 42 | 38 | 41.3 | 10 | 1100 | 35 | 3249 |

* To order the execution with hole and keyway add the index -K after the code and description (i.e. 73695-10-K VDN.80 FP-SST-A-10-K).

For maximum applicable torque (C) and impact strength (L) see Technical data on page A-3.