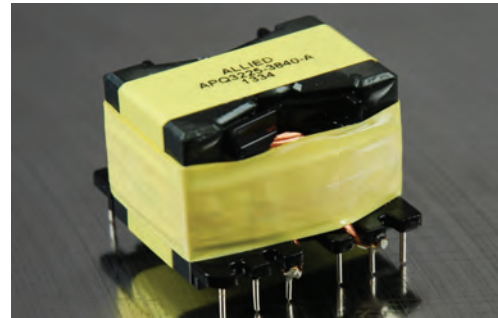




PFC Choke

APQ3225-3840-A

- PQ3225, 12 Pin Through Hole Package
- Cooper Shield terminated at pin 10
- Power Factor Correction
- Lighting and other applications

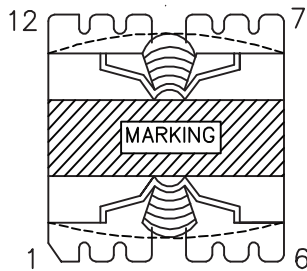


Primary Electrical Specifications @ 25°C					
S - F	INDUCTANCE F=80KHZ, 1VRMS 25°C	LEAKAGE INDUCTANCE F= 1KHZ, 1 VRMS (SHORT PINS)	DCR 25°C (MAX)	DC-BIAS F=1KHz, 1Vrms (+8.8A)	TURN RATIO
3-5	175uH ±10%	—	80 mOHM	LOAx85% min	39Ts

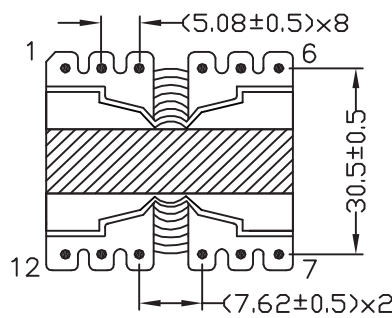
Hi - Pot / Insulation Resistance				
LOCAT. \ DESC.	PRI-SEC	SEC-SEC	WINDING-CORE	SEC-CORE
HI-POT (50Hz/60Hz)	-	-	1000Vac 5mA, 1SEC	-
INSULATION RESISTANCE	-	-	500VDC 100 MOhm min	-

All specifications subject to change without notice.

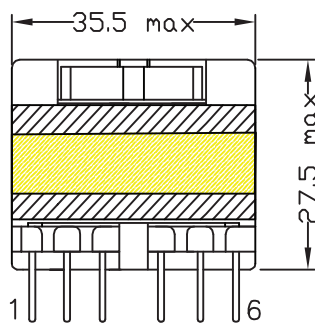
MECHANICAL



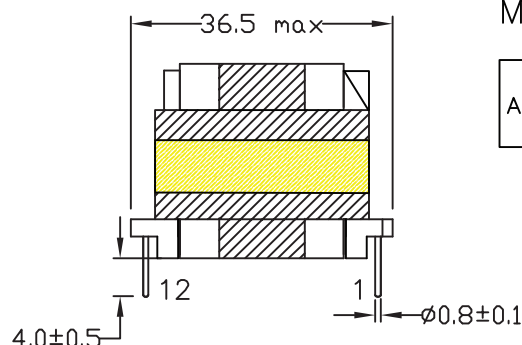
TOP VIEW



BOTTOM VIEW

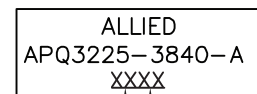


FRONT VIEW

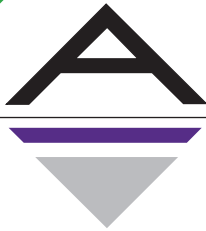


SIDE VIEW

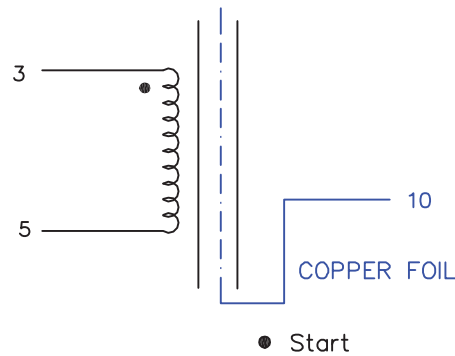
MARKING:



WEEK
YEAR



SCHEMATICS



WINDING ORDER		S - F	WIRE SIZE	TURN	MARGIN TAPE	INSULATION TAPE	REMARK
#1	N1	3 - 5	∅0.1x100P (LITZ)	39Ts	—	3 LAYER	1 WIRE

CONSTRUCTION

