



**MATERIAL**

Zinc-plated steel (RMC) or stainless steel (RMC-HF-SST) housing and threaded insert, hook-shaped or eyelet-shaped.

**STANDARD EXECUTIONS**

- **RMC-HF**: hard ferrite magnet, resistant to temperatures up to 200°C.
- **RMC-HF-SST**: hard ferrite magnet, resistant to temperatures up to 220°C.
- **RMC-HF-A**: hard ferrite magnet, resistant to temperatures up to 200°C, with hook-shaped, insert.
- **RMC-HF-B**: hard ferrite magnet, resistant to temperatures up to 200°C, with eyelet-shaped insert.
- **RMC-SC**: (SmCo) Samarium cobalt magnet, resistant to temperatures up to 200°C.
- **RMC-ND**: (NdFeB) Neodymium- iron-boron magnet, resistant to temperatures up to 80°C.

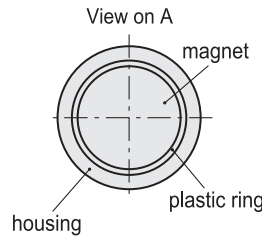
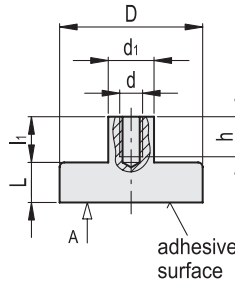
See Guidelines for the choosing (on page 1180).

**FEATURES AND APPLICATIONS**

RMC flat retaining magnets are shielded magnetic systems with high performances and moderate overall dimensions. Owing to the lower magnetic conductivity of stainless steel, the adhesive forces of the RMC-HF-SST executions are lower than those of the zinc-plated steel RMC executions.



RMC-HF  
RMC-HF-SST



**Conversion Table**  
1 mm = 0.039 inch

D			
mm	inch	mm	inch
6	0.24	32	1.26
8	0.31	40	1.57
10	0.39	50	1.97
13	0.51	63	2.48
16	0.63	80	3.15
20	0.79	100	3.94
25	0.98	125	4.92

**RMC-HF**

METRIC

Code	Description	D	d	L	h	d1	l1	Nominal adhesive forces* [N]	⚖️
501201	RMC-HF-10-M3	10 +0.1/-0.1	M3	4.5 +0.2/-0.1	5	6 +0.1/-0.1	7	4	3
501203	RMC-HF-13-M3	13 +0.1/-0.1	M3	4.5 +0.2/-0.1	5	6 +0.1/-0.1	7	10	4
501205	RMC-HF-16-M3	16 +0.1/-0.1	M3	4.5 +0.2/-0.1	5	6 +0.1/-0.1	7	18	6
501207	RMC-HF-20-M3	20 +0.1/-0.1	M3	6 +0.2/-0.1	5	6 +0.1/-0.1	7	30	11
501209	RMC-HF-25-M4	25 +0.1/-0.1	M4	7 +0.3/-0.1	7	8 +0.1/-0.1	8	40	20
501211	RMC-HF-32-M4	32 +0.1/-0.1	M4	7 +0.3/-0.1	7	8 +0.1/-0.1	8	80	31
501213	RMC-HF-40-M5	40 +0.2/-0.1	M5	8 +0.4/-0.1	9	10 +0.1/-0.1	10	125	59
501215	RMC-HF-50-M6	50 +0.2/-0.1	M6	10 +0.5/-0.1	11	12 +0.1/-0.1	12	220	111
501217	RMC-HF-63-M8	63 +0.3/-0.1	M8	14 +0.5/-0.1	14	15 +0.1/-0.1	16	350	242
501219	RMC-HF-80-M10	80 +0.5/-0.1	M10	18 +0.5/-0.1	15	20 +0.1/-0.1	16	600	500
501221	RMC-HF-100-M12	100 +0.5/-0.1	M12	22 +0.5/-0.1	18	22 +0.1/-0.1	21	900	948
501223	RMC-HF-125-M14	125 0.5/-0.1	M14	26 +0.5/-0.1	20	25 +0.1/-0.1	24	1300	1732

**RMC-HF-SST**

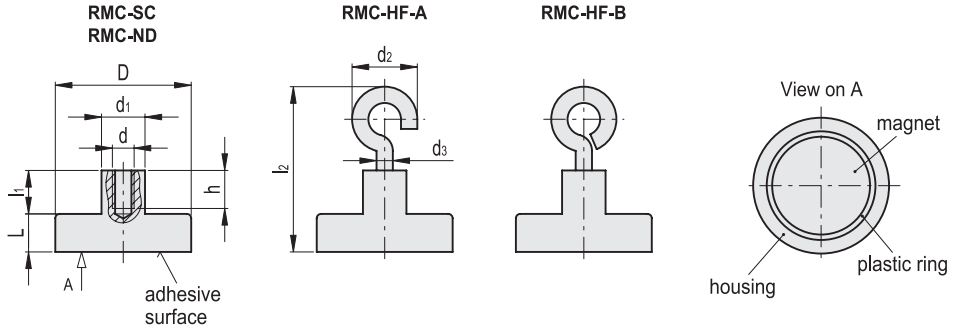
INOX STAINLESS STEEL

METRIC

Code	Description	D	d	L	h	d1	l1	Nominal adhesive forces* [N]	⚖️
501281	RMC-HF-SST-25	25 +0.1/-0.1	M5	7 +0.3/-0.1	9	8	9	32	20
501283	RMC-HF-SST-32	32 +0.1/-0.1	M5	7 +0.3/-0.1	9	8	9	64	31
501285	RMC-HF-SST-40	40 +0.2/-0.1	M5	8 +0.3/-0.1	9	8	8.5	100	56
501287	RMC-HF-SST-50	50 +0.2/-0.1	M5	10 +0.4/-0.1	9	8	8.5	175	105
501289	RMC-HF-SST-63	63 +0.3/-0.1	M5	14 +0.5/-0.1	9	8	8	280	228

\* The values of the nominal adhesive forces are approximate and refer to magnetic properties observed on laboratory samples.

Conversion Table 1 mm = 0.039 inch			
D			
mm	inch	mm	inch
6	0.24	32	1.26
8	0.31	40	1.57
10	0.39	50	1.97
13	0.51	63	2.48
16	0.63	80	3.15
20	0.79	100	3.94
25	0.98	125	4.92



RMC-HF-A

METRIC

Code	Description	D	L	l2±1	d1	d2±1	d3	l1	Nominal adhesive forces* [N]	⚖️
501151	RMC-HF-16-A	16 +0.1/-0.1	4.5	24.5	6 +0.1/-0.1	10	3	7	18	6
501155	RMC-HF-25-A	25 +0.1/-0.1	7	30.5	8 +0.1/-0.1	13.5	4	8	40	23
501161	RMC-HF-32-A	32 +0.1/-0.1	7	30.5	8 +0.1/-0.1	13.5	4	8	80	34
501165	RMC-HF-40-A	40 +0.2/-0.1	8	30.5	10 +0.1/-0.1	13.5	4	10	125	58
501171	RMC-HF-50-A	50 +0.2/-0.1	10	32	12 +0.1/-0.1	13.5	4	12	220	108
501175	RMC-HF-63-A	63 +0.3/-0.1	14	36	15 +0.1/-0.1	13.5	4	16	350	232
501181	RMC-HF-80-A	80 +0.5/-0.1	18	57.5	20 +0.1/-0.1	23	6	16	600	490

RMC-HF-B

Code	Description	D	L	l2±1	d1	d2±1	d3	l1	Nominal adhesive forces* [N]	⚖️
501152	RMC-HF-16-B	16 +0.1/-0.1	4.5	24.5	6 +0.1/-0.1	10	3	7	18	6
501156	RMC-HF-25-B	25 +0.1/-0.1	7	30.5	8 +0.1/-0.1	12.5	4	8	40	23
501162	RMC-HF-32-B	32 +0.1/-0.1	7	30.5	8 +0.1/-0.1	12.5	4	8	80	34
501166	RMC-HF-40-B	40 +0.2/-0.1	8	30.5	10 +0.1/-0.1	12.5	4	10	125	58
501172	RMC-HF-50-B	50 +0.2/-0.1	10	35	12 +0.1/-0.1	12.5	4	12	220	108
501176	RMC-HF-63-B	63 +0.3/-0.1	14	38	15 +0.1/-0.1	12.5	4	16	350	232
501182	RMC-HF-80-B	80 +0.5/-0.1	18	51.5	20 +0.1/-0.1	20	6	16	600	490

RMC-SC

Code	Description	D	d	L	h	d1	l1	Nominal adhesive forces* [N]	⚖️
501261	RMC-SC-6-M3	6 +0.1/-0.1	M3	4.5 +0.1/-0.1	6	6 +0.1/-0.1	7	5	2
501263	RMC-SC-8-M3	8 +0.1/-0.1	M3	4.5 +0.1/-0.1	6	6 +0.1/-0.1	7	11	3
501265	RMC-SC-10-M3	10 +0.1/-0.1	M3	4.5 +0.1/-0.1	6	6 +0.1/-0.1	7	20	4
501267	RMC-SC-13-M3	13 +0.1/-0.1	M3	4.5 +0.1/-0.1	6	6 +0.1/-0.1	7	40	6
501269	RMC-SC-16-M4	16 +0.1/-0.1	M4	4.5 +0.1/-0.1	6	6 +0.1/-0.1	7	60	8
501271	RMC-SC-20-M4	20 +0.1/-0.1	M4	6 +0.1/-0.1	7	8 +0.2/-0.2	7	90	16
501273	RMC-SC-25-M4	25 +0.1/-0.1	M4	7 +0.2/-0.2	7	8 +0.2/-0.2	7	150	28
501275	RMC-SC-32-M5	32 +0.1/-0.1	M5	7 +0.2/-0.2	8	10 +0.2/-0.2	8.5	220	47

RMC-ND

Code	Description	D	d	L	h	d1	l1	Nominal adhesive forces* [N]	⚖️
501231	RMC-ND-6-M3	6 +0.1/-0.1	M3	4.5 +0.1/-0.1	6	6 +0.1/-0.1	7	5	2
501233	RMC-ND-8-M3	8 +0.1/-0.1	M3	4.5 +0.1/-0.1	6	6 +0.1/-0.1	7	13	3
501235	RMC-ND-10-M3	10 +0.1/-0.1	M3	4.5 +0.1/-0.1	6	6 +0.1/-0.1	7	25	4
501237	RMC-ND-13-M3	13 +0.1/-0.1	M3	4.5 +0.1/-0.1	6	6 +0.1/-0.1	7	60	5
501239	RMC-ND-16-M4	16 +0.1/-0.1	M4	4.5 +0.1/-0.1	6	6 +0.1/-0.1	7	95	7
501241	RMC-ND-20-M4	20 +0.1/-0.1	M4	6 +0.1/-0.1	7	8 +0.2/-0.2	7	140	16
501243	RMC-ND-25-M4	25 +0.1/-0.1	M4	7 +0.2/-0.2	7	8 +0.2/-0.2	7	200	27
501245	RMC-ND-32-M5	32 +0.1/-0.1	M5	7 +0.2/-0.2	8	10 +0.2/-0.2	8.5	350	45

\* The values of the nominal adhesive forces are approximate and refer to magnetic properties observed on laboratory samples.

