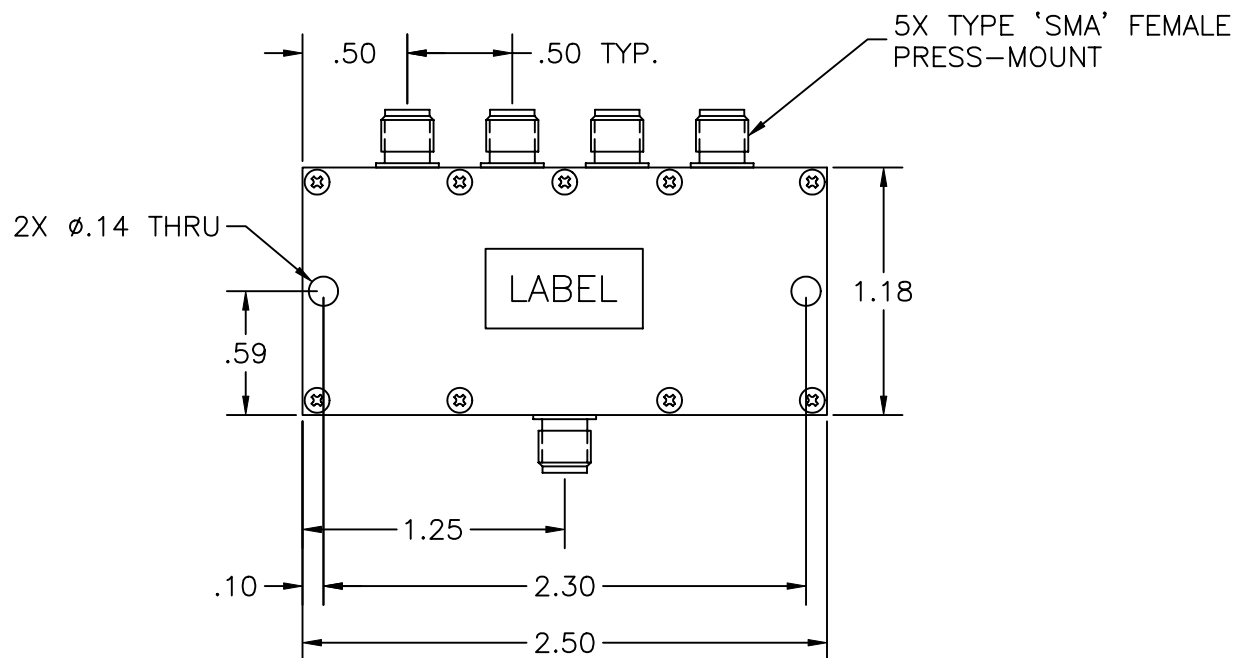
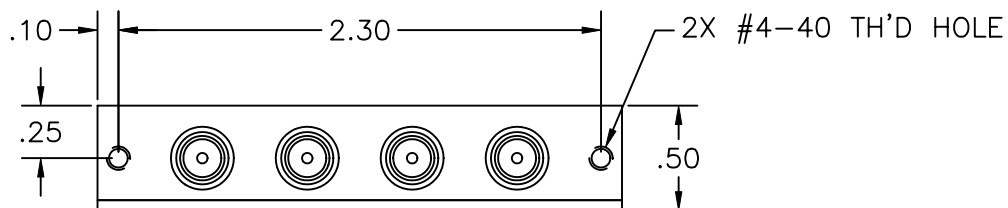


PROPRIETARY DATA OF IF Engineering Corp.  
 THIS DOCUMENT CONTAINS PROPRIETARY INFORMATION.  
 ANY REPRODUCTION, DISCLOSURE, OR USE OF  
 ITS CONTENTS IS EXPRESSLY PROHIBITED EXCEPT AS  
 AUTHORIZED BY IF Engineering Corp.

### REVISION

LTR.	DESCRIPTION	DATE	APPVL.
A	CORR. DIM. 2.25	7/97	LCF
B	REDRAWN/UPDATED FORMAT; NEW PACKAGE	1/2/08	MJD
C	CORRECTED INSERTION LOSS	1/2/08	MJD
D	TEMP. RANGE CHANGED	2/25/08	MJD
E	PER ECN 1022003: 'RoHS Compliant' LOGO ADDED, INSERTION LOSS CHANGED	6/4/10	MJD
F	PER ECN 1038003: (2) #4-40 TAPPED HOLES ADDED	9/30/10	MJD



### ELECTRICAL SPECIFICATION FOUR WAY POWER DIVIDER

FREQUENCY RANGE (MHZ)	20-1000
ISOLATION (dB) MIN.	25
INSERTION LOSS (dB) MAX.	1.75
AMPLITUDE BAL. (dB) MAX.	±0.3
PHASE BAL. (°) MAX.	±4.0
VSWR MAX.	
IN	1.3:1
OUT	1.3:1
IMPEDANCE (OHMS) NOM.	50
TEMPERATURE RANGE (°C)	0 TO +50

**RoHS  
Compliant**

UNLESS OTHERWISE SPECIFIED  
DRAWING PRACTICES PER  
MIL-STD-100

TOLERANCES ANGLES ±1/2°  
.XX ±.01 .XXX ±.005

SURFACE 63/ REMOVE BURRS  
ROUGHNESS ✓ SHARP EDGES

MATERIAL: SEE NOTE 1

FINISH: SEE NOTE 2

DRAWN DATE  
LCF 2/14/94

ENGRG APPD DATE

MFG APPD DATE

QA APPD DATE

RELEASED DATE

**IFE ENGINEERING**  
40 PARKER ROAD, FAYAN CT 06255

TITLE  
OUTLINE DRAWING  
PD-4004-S

SIZE	CODE IDENT NO.	DRAWING NO.	REV.
A	OUF A1	004-036-181	F

SCALE 1:1 SHEET 1 OF 1

### NOTES:

1. MATERIAL: CHASSIS & COVER ALUMINUM
2. FINISH: CLEAR CHROMATE
3. SPECIFICATION SUBJECT TO CHANGE WITHOUT NOTICE