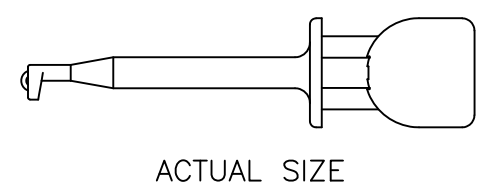
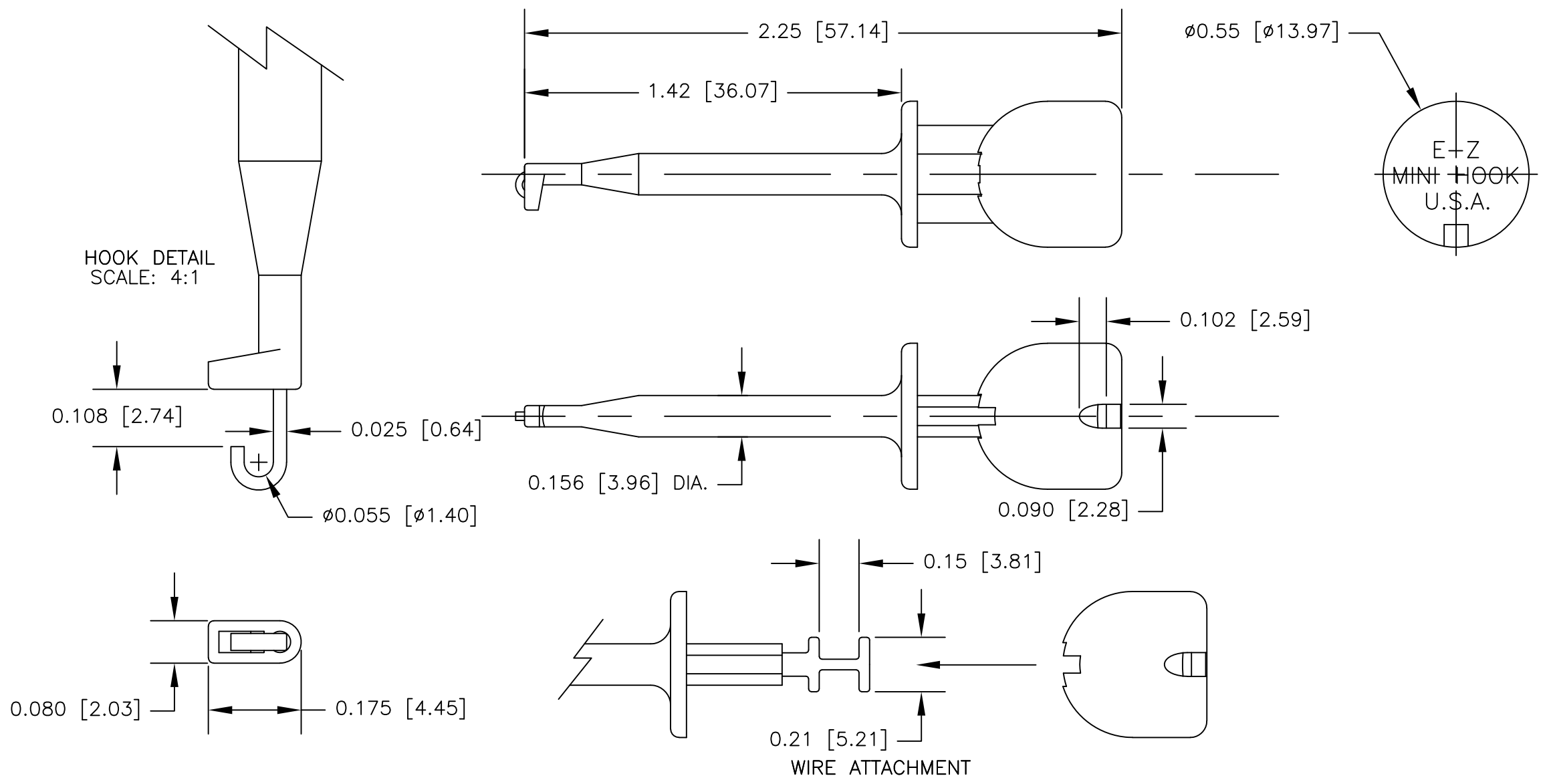


NOTES: UNLESS OTHERWISE SPECIFIED

- CONSTRUCTION:
HOUSING & PLUNGER: MOLDED NYLON. AVAILABLE IN TEN COLORS.
CONTACT BLADE: GOLD PLATED BeCu
SPRING: STAINLESS STEEL
- PERFORMANCE:
MAXIMUM CURRENT: 5.9 AMPS WITH A 77° TEMPERATURE RISE.
MAXIMUM VOLTAGE: 5.4 KV
MAXIMUM TEMPERATURE: 200°F (93°C)
- FEATURES:
HOOK FITS COMPONENTS UP TO $\phi 0.059$ [$\phi 1.50$].
FIELD SERVICEABLE.

LTR	REVISIONS		DATE	APPROVED
	DESCRIPTION			



UNLESS OTHERWISE SPECIFIED DIMENSIONS ARE IN INCHES TOLERANCES ARE: FRACTIONS DECIMALS ANGLES ± .XX ± ± .XXX ±		CONTRACT NO.		E-Z-HOOK DIVISION OF TEKTEST INC. ARCADIA, CA 91006 U.S.A.				
		APPROVALS	DATE					
MATERIAL SEE NOTE.		DRAWN	R.L.	6/09	DESCRIPTION E-Z-MINI-HOOK TEST CONNECTOR			
		APPROVED BY						
FINISH SEE NOTE.					SIZE	CODE IDENT NO.	DRAWING NO.	REV.
NEXT ASSY	USED ON				B	08505	XR	
APPLICATION		DO NOT SCALE DRAWING		SCALE	2:1		SHEET 1 OF 1	