



1100 Series Lite-Pac® Trigger Modules



Excelitas' 1100 Series Lite-Pac Trigger Modules contain the elements necessary to operate Excelitas' pulsed Xenon flashlamps.

Excelitas' 1100 Series Lite-Pac Trigger Modules contain the socket interface and the high voltage elements necessary for operation of the short arc Xenon flashlamps. They are designed to operate from any 1100 Series supply. The Lite-Pac also contains EMI suppression circuitry to diminish radiated and conducted noise associated with high peak discharge currents. Epoxy encapsulation ensures overall operational and environmental stability as well as high voltage containment. Connections between the power supply and Lite-Pac Trigger Module are made through shielded cables.

Several models of the 1100 Series Lite-Pac Trigger Module are available which allow for various mounting configurations. For applications where long leads between the Lite-Pac and power supply are required, the discharge capacitor is located within the Lite-Pac. This insures the maximum transfer of energy into the flashlamp. When the discharge capacitor is located within the power supply or external to the Lite-Pac, it is recommended the leads of the Lite-Pac be kept as short as possible to limit lead impedance.

Key Features

- Epoxy-encapsulated
- "B" Lite-Pac with internal discharge capacitors
- Shielded cables

Applications

- Absorption analysis
- Immunoassay modules
- Fluorimetry
- Spectroradiometry
- Liquid and gas chromatography
- Colorimetry
- UV-VIS-NIR applications
- Machine vision

1100 Series

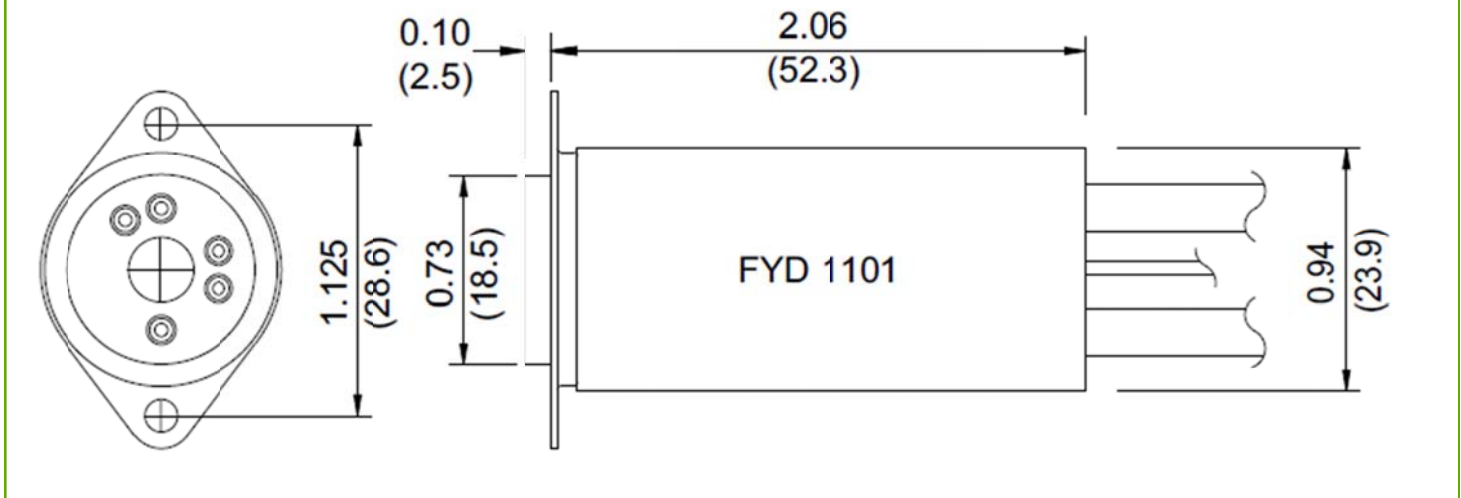
Lite-Pac® Trigger Modules

1100 Series Lite-Pac Trigger Module

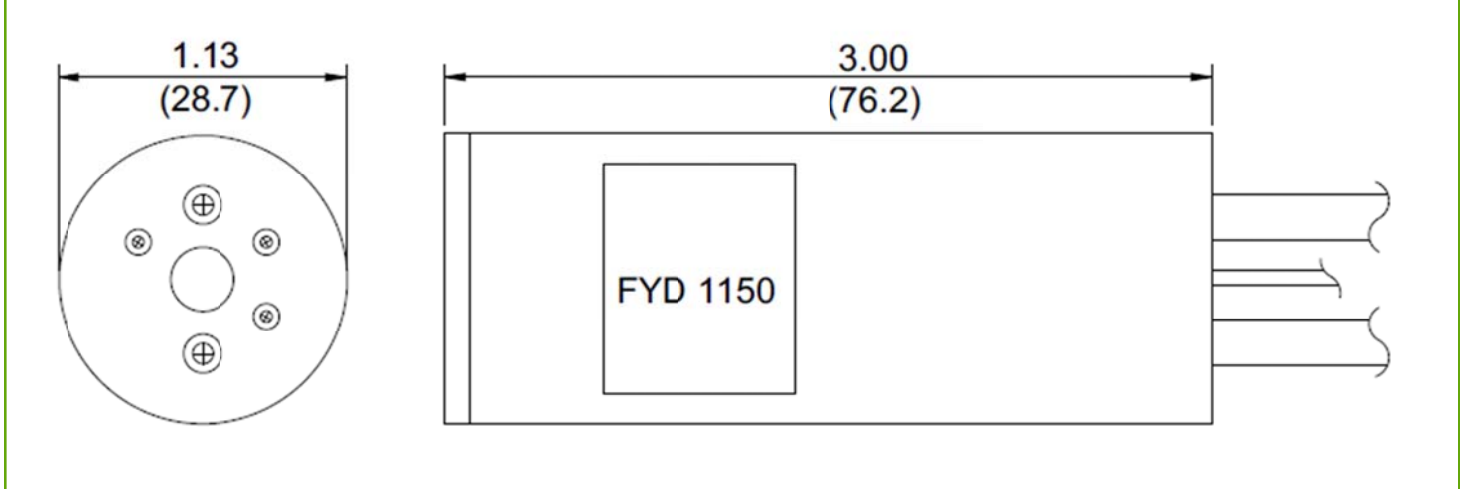
FYD-1101 and FYD-1101-B Input		FYD-1150 and FYD-1150-B Input	
Trigger Input	0.10µF @ 180 volts	Trigger Input	0.10µF @ 180 volts
Discharge Energy	0.15 Joules maximum	Discharge Energy	0.5 Joules maximum
Discharge Power	10 watts maximum	Discharge Power	20 watts maximum
Lead Length	12 inches (30.5cm) minimum	Lead Length	12 inches (30.5cm) minimum
Internal Discharge Capacitor	N/A (FYD-1101) 0.5 µF (FYD-1150-B)	Internal Discharge Capacitor	N/A (FYD-1150) 0.5 µF (FYD-1150-B)

Mechanical Dimensions

FYD-1101 Outline



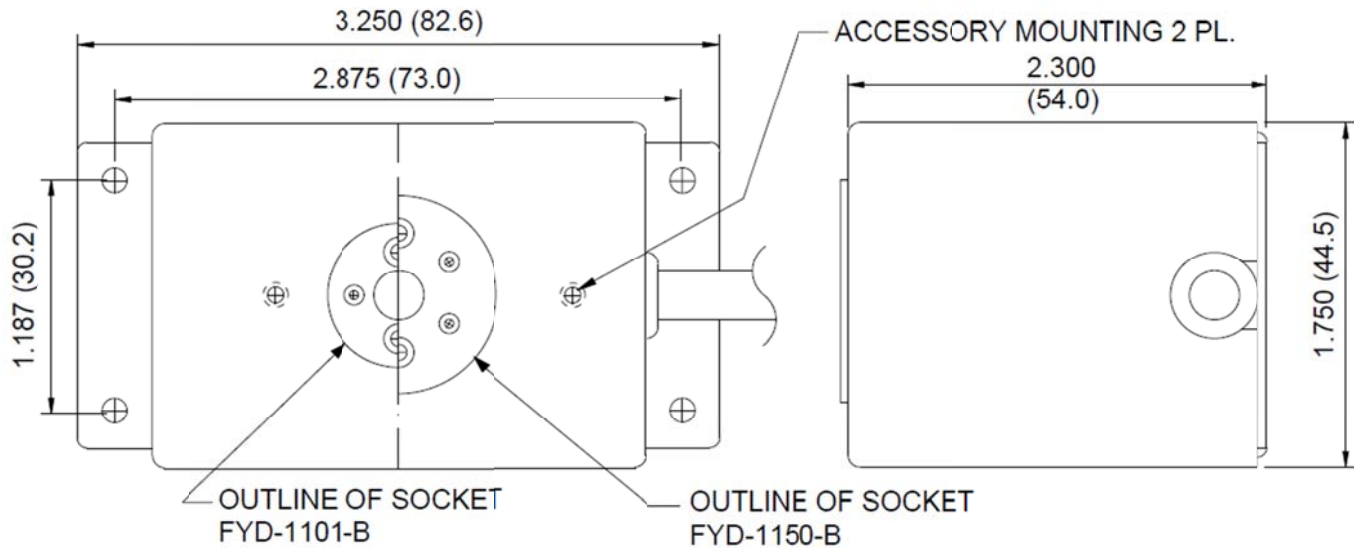
FYD-1150 Outline



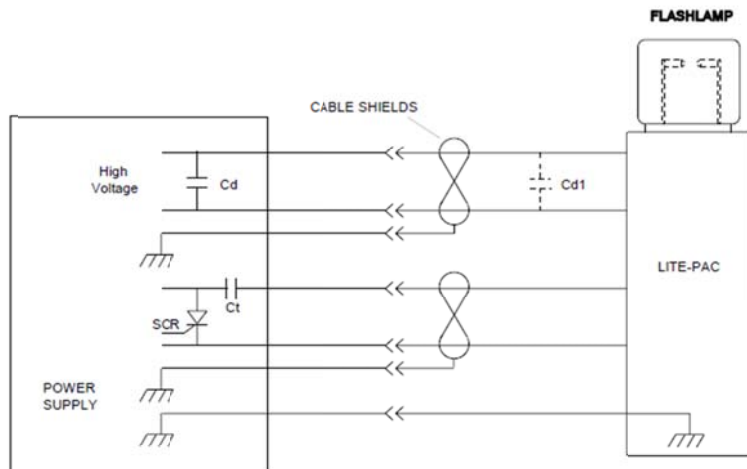
1100 Series

Lite-Pac® Trigger Modules

FYD-1101-B and FYD-1150-B Outline



1100 Series Lite-Pac/Power Supply Connections



1. Cable shielding designed to be grounded at power supply end of cable.
2. Metal case of Lite-Pac® has a separate ground lead which is independent of anode-to-cathode return and cable shielding.
3. The power supply chassis should be grounded to earth/system ground.
4. Lite-Pac® leads are a part of the discharge loop and should be no longer than necessary to minimize circuit impedance.
5. Lite-Pacs® with internal discharge capacitors are supplied with a single, integrated shielded cable.

Cd: Power supply internal discharge capacitor. PS 1105 is .005 μ fd. PS 1110 and PS 1120 are 0.1 μ fd.

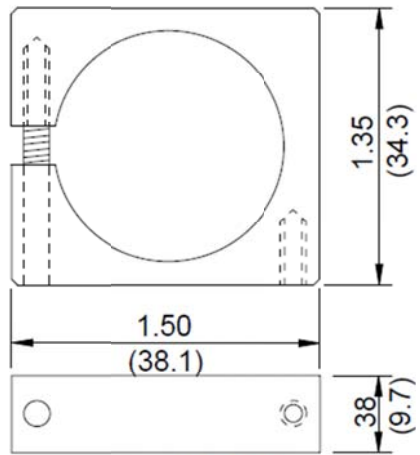
Cd1: Additional capacitance that may be added external to the power supply if required.

1100 Series

Lite-Pac® Trigger Modules

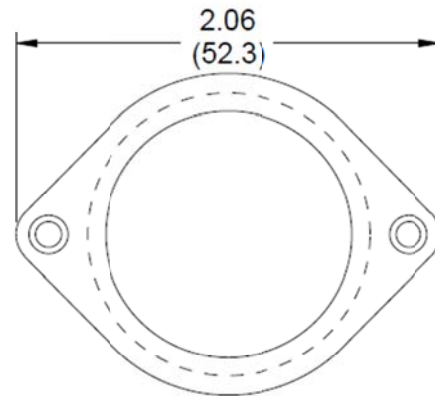
1100 Series Lite-Pac Accessories

Mounting Clamp, FYD-1150



Part No. XP 0775

Flashlamp Clamp/Shield, FYD-1150-B



Part No. XP 0777

NOTE: All values are nominal; specifications subject to change without notice.

About Excelitas Technologies

Excelitas Technologies is a global technology leader focused on delivering innovative, customized solutions to meet the lighting, detection and other high-performance technology needs of OEM customers.

From medical lighting to analytical instrumentation, clinical diagnostics, industrial, safety and security, and aerospace and defense applications, Excelitas Technologies is committed to enabling our customers' success in their specialty end-markets. Excelitas Technologies has approximately 3,000 employees in North America, Europe and Asia, serving customers across the world.

Excelitas Technologies
35 Congress Street
Salem, Massachusetts
01970 USA
Telephone: (+1) 978.745.3200
Toll free: (+1) 800.950.3441
Fax: (+1) 978.745.0894

**Excelitas Technologies
LED Solutions, Inc.**
160 E. Marquardt Drive
Wheeling, Illinois
60090 USA
Telephone: (+1) 847.537.4277
Fax: (+1) 847.537.4785

**Excelitas Technologies
Illumination, Inc.**
44370 Christy Street
Fremont, California
94538-3180 USA
Telephone: (+1) 510.979.6500
Toll-free: (+1) 800.775.6786
Fax: (+1) 510.687.1140

**Excelitas Technologies
GmbH & Co. KG**
Wenzel-Jaksch-Straße 31
D-65199 Wiesbaden
Germany
Telephone: (+49) 611 492 430
Fax: (+49) 611 492 165

**Excelitas Technologies Shenzhen Co., Ltd.
Wearnes Technology Center**
No.10 Kefa Road, Science & Industry Park
Nanshan District,
Shenzhen, Guangdong
P.R. of China 518057
Telephone: +86 2655 3861
Fax: +86 755 2661 7311

For a complete listing of our global offices, visit www.excelitas.com/ContactUs

© 2011 Excelitas Technologies Corp. All rights reserved. The Excelitas logo and design are registered trademarks of Excelitas Technologies Corp. All other trademarks not owned by Excelitas Technologies or its subsidiaries that are depicted herein are the property of their respective owners. Excelitas reserves the right to change this document at any time without notice and disclaims liability for editorial, pictorial or typographical errors.

