

ERZ. | Adjustable handles

Technopolymer, steel or stainless steel clamping element

INCH

INOX
STAINLESS
STEEL

RoHS

PA

+266 °F
-22 °F

- 1
- 2
- 3
- 4
- 5
- 6
- 7
- 8
- 9
- 10
- 11
- 12
- 13
- 14
- 15
- 16
- 17
- 18

LEVER BODY

Glass-fibre reinforced polyamide based (PA) technopolymer, grey-black colour, matte finish.

STANDARD EXECUTIONS

- **ERZ-A:** black-oxide steel clamping element with threaded hole and retaining screw. AISI 302 stainless steel return spring.
- **ERZ-SST:** AISI 303 stainless steel clamping element with threaded hole and retaining screw. AISI 302 stainless steel return spring.
- **ERZ-p:** black-oxide steel clamping element with threaded screw and retaining screw. AISI 302 stainless steel return spring.
- **ERZ-SST-p:** AISI 303 stainless steel clamping element with threaded screw and retaining screw. AISI 302 stainless steel return spring.

FEATURES AND APPLICATIONS

Particularly suitable when the lever turning angle is limited owing to lack of space.

The metal teeth of the built-in zinc alloy insert allow the assembly of clamping elements completely made out of metal, which can be easily modified by machining in case of special assembly requirements.

SPECIAL EXECUTIONS ON REQUEST

Lever body in orange colour.

INSTRUCTIONS OF USE

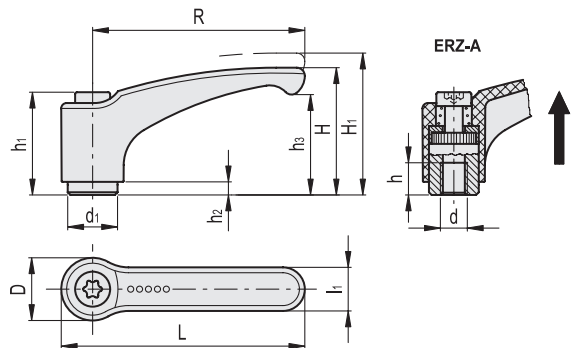
For clamping, lift the lever to disengage the clamping device teeth and bring it back to start position. By releasing the lever, the return spring automatically engages the teeth.

If the lever cannot make a 360° rotation, the clamping element can be easily screwed by means of the hexagon socket front head screw (after having disengaged the lever).



ERGOSTYLE® ELESA Original design

ERZ-A
ERZ-SST



INCH

ERZ-A

| Code | Description | R | d | L | D | H | H1 | h | h1 | h2 | h3 | d1 | l1 | Teeth nr | △ |
|----------|----------------|------|---------|------|------|------|------|------|------|------|------|------|------|----------|------|
| 90237103 | ERZ.44-10-32 | 1.73 | 10-32 | 2.05 | 0.61 | 1.2 | 1.34 | 0.31 | 0.96 | 0.14 | 0.89 | 0.39 | 0.43 | 18 | 0.04 |
| 90237104 | ERZ.44-1/4-20 | 1.73 | 1/4-20 | 2.05 | 0.61 | 1.2 | 1.34 | 0.31 | 0.96 | 0.14 | 0.89 | 0.39 | 0.43 | 18 | 0.04 |
| 90237134 | ERZ.63-1/4-20 | 2.48 | 1/4-20 | 2.89 | 0.75 | 1.52 | 1.65 | 0.39 | 1.22 | 0.14 | 1.18 | 0.53 | 0.53 | 24 | 0.09 |
| 90237135 | ERZ.63-5/16-18 | 2.48 | 5/16-18 | 2.89 | 0.75 | 1.52 | 1.65 | 0.39 | 1.22 | 0.14 | 1.18 | 0.53 | 0.53 | 24 | 0.08 |
| 90237155 | ERZ.78-5/16-18 | 3.07 | 5/16-18 | 3.56 | 0.91 | 1.77 | 1.99 | 0.55 | 1.42 | 0.14 | 1.38 | 0.63 | 0.63 | 26 | 0.15 |
| 90237156 | ERZ.78-3/8-16 | 3.07 | 3/8-16 | 3.56 | 0.91 | 1.77 | 1.99 | 0.55 | 1.42 | 0.14 | 1.38 | 0.63 | 0.63 | 26 | 0.13 |
| 90237176 | ERZ.95-3/8-16 | 3.74 | 3/8-16 | 4.29 | 1.04 | 2.22 | 2.42 | 0.67 | 1.69 | 0.2 | 1.77 | 0.75 | 0.71 | 28 | 0.23 |
| 90237177 | ERZ.95-1/2-13 | 3.74 | 1/2-13 | 4.29 | 1.04 | 2.22 | 2.42 | 0.67 | 1.69 | 0.2 | 1.77 | 0.75 | 0.71 | 28 | 0.21 |

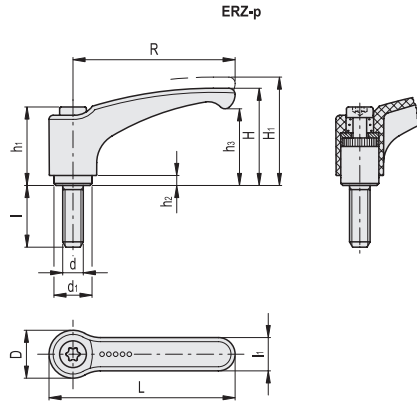
ERZ-SST

| Code | Description | R | d | L | D | H | H1 | h | h1 | h2 | h3 | d1 | l1 | Teeth nr | △ |
|----------|--------------------|------|---------|------|------|------|------|------|------|------|------|------|------|----------|------|
| 90239105 | ERZ.44-SST-10-32 | 1.73 | 10-32 | 2.05 | 0.61 | 1.2 | 1.34 | 0.31 | 0.96 | 0.14 | 0.89 | 0.39 | 0.43 | 18 | 0.04 |
| 90239106 | ERZ.44-SST-1/4-20 | 1.73 | 1/4-20 | 2.05 | 0.61 | 1.2 | 1.34 | 0.31 | 0.96 | 0.14 | 0.89 | 0.39 | 0.43 | 18 | 0.03 |
| 90239135 | ERZ.63-SST-1/4-20 | 2.48 | 1/4-20 | 2.89 | 0.75 | 1.52 | 1.65 | 0.39 | 1.22 | 0.14 | 1.18 | 0.53 | 0.53 | 24 | 0.08 |
| 90239136 | ERZ.63-SST-5/16-18 | 2.48 | 5/16-18 | 2.89 | 0.75 | 1.52 | 1.65 | 0.39 | 1.22 | 0.14 | 1.18 | 0.53 | 0.53 | 24 | 0.07 |
| 90239155 | ERZ.78-SST-5/16-18 | 3.07 | 5/16-18 | 3.56 | 0.91 | 1.77 | 1.99 | 0.55 | 1.42 | 0.14 | 1.38 | 0.63 | 0.63 | 26 | 0.13 |
| 90239156 | ERZ.78-SST-3/8-16 | 3.07 | 3/8-16 | 3.56 | 0.91 | 1.77 | 1.99 | 0.55 | 1.42 | 0.14 | 1.38 | 0.63 | 0.63 | 26 | 0.12 |
| 90239175 | ERZ.95-SST-3/8-16 | 3.74 | 3/8-16 | 4.29 | 1.04 | 2.22 | 2.42 | 0.67 | 1.69 | 0.2 | 1.77 | 0.75 | 0.71 | 28 | 0.2 |
| 90239177 | ERZ.95-SST-1/2-13 | 3.74 | 1/2-13 | 4.29 | 1.04 | 2.22 | 2.42 | 0.67 | 1.69 | 0.2 | 1.77 | 0.75 | 0.71 | 28 | 0.19 |

INOX
STAINLESS
STEEL

INCH

Clamping levers



INCH

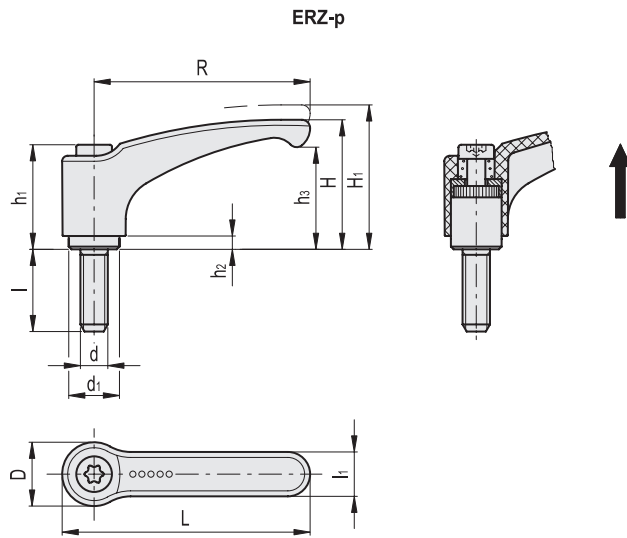
ERZ-p

| Code | Description | R | d | L | D | H | H1 | h1 | h2 | h3 | d1 | l | l1 | Teeth nr | Δ |
|----------|--------------------|------|---------|------|------|------|------|------|------|------|------|------|------|----------|----------|
| 90238133 | ERZ.44-10-32-047 | 1.73 | 10-32 | 2.05 | 0.61 | 1.2 | 1.34 | 0.96 | 0.14 | 0.89 | 0.39 | 0.47 | 0.43 | 18 | 0.04 |
| 90238135 | ERZ.44-10-32-063 | 1.73 | 10-32 | 2.05 | 0.61 | 1.2 | 1.34 | 0.96 | 0.14 | 0.89 | 0.39 | 0.63 | 0.43 | 18 | 0.04 |
| 90238137 | ERZ.44-10-32-079 | 1.73 | 10-32 | 2.05 | 0.61 | 1.2 | 1.34 | 0.96 | 0.14 | 0.89 | 0.39 | 0.79 | 0.43 | 18 | 0.04 |
| 90238139 | ERZ.44-10-32-098 | 1.73 | 10-32 | 2.05 | 0.61 | 1.2 | 1.34 | 0.96 | 0.14 | 0.89 | 0.39 | 0.98 | 0.43 | 18 | 0.05 |
| 90238141 | ERZ.44-10-32-126 | 1.73 | 10-32 | 2.05 | 0.61 | 1.2 | 1.34 | 0.96 | 0.14 | 0.89 | 0.39 | 1.26 | 0.43 | 18 | 0.05 |
| 90238143 | ERZ.44-10-32-157 | 1.73 | 10-32 | 2.05 | 0.61 | 1.2 | 1.34 | 0.96 | 0.14 | 0.89 | 0.39 | 1.57 | 0.43 | 18 | 0.05 |
| 90238153 | ERZ.44-1/4-20-047 | 1.73 | 1/4-20 | 2.05 | 0.61 | 1.2 | 1.34 | 0.96 | 0.14 | 0.89 | 0.39 | 0.47 | 0.43 | 18 | 0.05 |
| 90238155 | ERZ.44-1/4-20-063 | 1.73 | 1/4-20 | 2.05 | 0.61 | 1.2 | 1.34 | 0.96 | 0.14 | 0.89 | 0.39 | 0.63 | 0.43 | 18 | 0.05 |
| 90238157 | ERZ.44-1/4-20-079 | 1.73 | 1/4-20 | 2.05 | 0.61 | 1.2 | 1.34 | 0.96 | 0.14 | 0.89 | 0.39 | 0.79 | 0.43 | 18 | 0.05 |
| 90238159 | ERZ.44-1/4-20-098 | 1.73 | 1/4-20 | 2.05 | 0.61 | 1.2 | 1.34 | 0.96 | 0.14 | 0.89 | 0.39 | 0.98 | 0.43 | 18 | 0.06 |
| 90238161 | ERZ.44-1/4-20-126 | 1.73 | 1/4-20 | 2.05 | 0.61 | 1.2 | 1.34 | 0.96 | 0.14 | 0.89 | 0.39 | 1.26 | 0.43 | 18 | 0.06 |
| 90238163 | ERZ.44-1/4-20-157 | 1.73 | 1/4-20 | 2.05 | 0.61 | 1.2 | 1.34 | 0.96 | 0.14 | 0.89 | 0.39 | 1.57 | 0.43 | 18 | 0.07 |
| 90238165 | ERZ.44-1/4-20-177 | 1.73 | 1/4-20 | 2.05 | 0.61 | 1.2 | 1.34 | 0.96 | 0.14 | 0.89 | 0.39 | 1.77 | 0.43 | 18 | 0.07 |
| 90238337 | ERZ.63-1/4-20-079 | 2.48 | 1/4-20 | 2.89 | 0.75 | 1.52 | 1.65 | 1.22 | 0.14 | 1.18 | 0.53 | 0.79 | 0.53 | 24 | 0.08 |
| 90238339 | ERZ.63-1/4-20-098 | 2.48 | 1/4-20 | 2.89 | 0.75 | 1.52 | 1.65 | 1.22 | 0.14 | 1.18 | 0.53 | 0.98 | 0.53 | 24 | 0.08 |
| 90238351 | ERZ.63-5/16-18-047 | 2.48 | 5/16-18 | 2.89 | 0.75 | 1.52 | 1.65 | 1.22 | 0.14 | 1.18 | 0.53 | 0.47 | 0.53 | 24 | 0.1 |
| 90238353 | ERZ.63-5/16-18-063 | 2.48 | 5/16-18 | 2.89 | 0.75 | 1.52 | 1.65 | 1.22 | 0.14 | 1.18 | 0.53 | 0.63 | 0.53 | 24 | 0.1 |
| 90238355 | ERZ.63-5/16-18-079 | 2.48 | 5/16-18 | 2.89 | 0.75 | 1.52 | 1.65 | 1.22 | 0.14 | 1.18 | 0.53 | 0.79 | 0.53 | 24 | 0.1 |
| 90238357 | ERZ.63-5/16-18-098 | 2.48 | 5/16-18 | 2.89 | 0.75 | 1.52 | 1.65 | 1.22 | 0.14 | 1.18 | 0.53 | 0.98 | 0.53 | 24 | 0.11 |
| 90238359 | ERZ.63-5/16-18-126 | 2.48 | 5/16-18 | 2.89 | 0.75 | 1.52 | 1.65 | 1.22 | 0.14 | 1.18 | 0.53 | 1.26 | 0.53 | 24 | 0.11 |
| 90238361 | ERZ.63-5/16-18-157 | 2.48 | 5/16-18 | 2.89 | 0.75 | 1.52 | 1.65 | 1.22 | 0.14 | 1.18 | 0.53 | 1.57 | 0.53 | 24 | 0.11 |
| 90238362 | ERZ.63-5/16-18-177 | 2.48 | 5/16-18 | 2.89 | 0.75 | 1.52 | 1.65 | 1.22 | 0.14 | 1.18 | 0.53 | 1.77 | 0.53 | 24 | 0.12 |
| 90238363 | ERZ.63-5/16-18-197 | 2.48 | 5/16-18 | 2.89 | 0.75 | 1.52 | 1.65 | 1.22 | 0.14 | 1.18 | 0.53 | 1.97 | 0.53 | 24 | 0.13 |
| 90238365 | ERZ.63-5/16-18-248 | 2.48 | 5/16-18 | 2.89 | 0.75 | 1.52 | 1.65 | 1.22 | 0.14 | 1.18 | 0.53 | 2.48 | 0.53 | 24 | 0.13 |
| 90238373 | ERZ.63-3/8-16-079 | 2.48 | 3/8-16 | 2.89 | 0.75 | 1.52 | 1.65 | 1.22 | 0.14 | 1.18 | 0.53 | 0.79 | 0.53 | 24 | 0.1 |
| 90238375 | ERZ.63-3/8-16-098 | 2.48 | 3/8-16 | 2.89 | 0.75 | 1.52 | 1.65 | 1.22 | 0.14 | 1.18 | 0.53 | 0.98 | 0.53 | 24 | 0.11 |
| 90238377 | ERZ.63-3/8-16-126 | 2.48 | 3/8-16 | 2.89 | 0.75 | 1.52 | 1.65 | 1.22 | 0.14 | 1.18 | 0.53 | 1.26 | 0.53 | 24 | 0.11 |
| 90238379 | ERZ.63-3/8-16-157 | 2.48 | 3/8-16 | 2.89 | 0.75 | 1.52 | 1.65 | 1.22 | 0.14 | 1.18 | 0.53 | 1.57 | 0.53 | 24 | 0.11 |
| 90238380 | ERZ.63-3/8-16-177 | 2.48 | 3/8-16 | 2.89 | 0.75 | 1.52 | 1.65 | 1.22 | 0.14 | 1.18 | 0.53 | 1.77 | 0.53 | 24 | 0.12 |
| 90238381 | ERZ.63-3/8-16-197 | 2.48 | 3/8-16 | 2.89 | 0.75 | 1.52 | 1.65 | 1.22 | 0.14 | 1.18 | 0.53 | 1.97 | 0.53 | 24 | 0.2 |
| 90238551 | ERZ.78-3/8-16-063 | 3.07 | 3/8-16 | 3.56 | 0.91 | 1.77 | 1.99 | 1.42 | 0.14 | 1.38 | 0.63 | 0.63 | 0.63 | 26 | 0.2 |
| 90238553 | ERZ.78-3/8-16-079 | 3.07 | 3/8-16 | 3.56 | 0.91 | 1.77 | 1.99 | 1.42 | 0.14 | 1.38 | 0.63 | 0.79 | 0.63 | 26 | 0.21 |
| 90238555 | ERZ.78-3/8-16-098 | 3.07 | 3/8-16 | 3.56 | 0.91 | 1.77 | 1.99 | 1.42 | 0.14 | 1.38 | 0.63 | 0.98 | 0.63 | 26 | 0.22 |
| 90238557 | ERZ.78-3/8-16-126 | 3.07 | 3/8-16 | 3.56 | 0.91 | 1.77 | 1.99 | 1.42 | 0.14 | 1.38 | 0.63 | 1.26 | 0.63 | 26 | 0.24 |
| 90238559 | ERZ.78-3/8-16-157 | 3.07 | 3/8-16 | 3.56 | 0.91 | 1.77 | 1.99 | 1.42 | 0.14 | 1.38 | 0.63 | 1.57 | 0.63 | 26 | 0.26 |
| 90238560 | ERZ.78-3/8-16-177 | 3.07 | 3/8-16 | 3.56 | 0.91 | 1.77 | 1.99 | 1.42 | 0.14 | 1.38 | 0.63 | 1.77 | 0.63 | 26 | 0.28 |
| 90238561 | ERZ.78-3/8-16-197 | 3.07 | 3/8-16 | 3.56 | 0.91 | 1.77 | 1.99 | 1.42 | 0.14 | 1.38 | 0.63 | 1.97 | 0.63 | 26 | 0.29 |
| 90238563 | ERZ.78-3/8-16-248 | 3.07 | 3/8-16 | 3.56 | 0.91 | 1.77 | 1.99 | 1.42 | 0.14 | 1.38 | 0.63 | 2.48 | 0.63 | 26 | 0.3 |
| 90238575 | ERZ.78-1/2-13-126 | 3.07 | 1/2-13 | 3.56 | 0.91 | 1.77 | 1.99 | 1.42 | 0.14 | 1.38 | 0.63 | 1.26 | 0.63 | 26 | 0.25 |
| 90238727 | ERZ.95-3/8-16-098 | 3.74 | 3/8-16 | 4.29 | 1.04 | 2.22 | 2.42 | 1.69 | 0.2 | 1.77 | 0.75 | 0.98 | 0.71 | 28 | 0.28 |
| 90238729 | ERZ.95-3/8-16-126 | 3.74 | 3/8-16 | 4.29 | 1.04 | 2.22 | 2.42 | 1.69 | 0.2 | 1.77 | 0.75 | 1.26 | 0.71 | 28 | 0.29 |
| 90238730 | ERZ.95-3/8-16-138 | 3.74 | 3/8-16 | 4.29 | 1.04 | 2.22 | 2.42 | 1.69 | 0.2 | 1.77 | 0.75 | 1.38 | 0.71 | 28 | 0.29 |
| 90238731 | ERZ.95-3/8-16-157 | 3.74 | 3/8-16 | 4.29 | 1.04 | 2.22 | 2.42 | 1.69 | 0.2 | 1.77 | 0.75 | 1.57 | 0.71 | 28 | 0.3 |
| 90238732 | ERZ.95-3/8-16-177 | 3.74 | 3/8-16 | 4.29 | 1.04 | 2.22 | 2.42 | 1.69 | 0.2 | 1.77 | 0.75 | 1.77 | 0.71 | 28 | 0.3 |
| 90238733 | ERZ.95-3/8-16-197 | 3.74 | 3/8-16 | 4.29 | 1.04 | 2.22 | 2.42 | 1.69 | 0.2 | 1.77 | 0.75 | 1.97 | 0.71 | 28 | 0.31 |
| 90238735 | ERZ.95-3/8-16-248 | 3.74 | 3/8-16 | 4.29 | 1.04 | 2.22 | 2.42 | 1.69 | 0.2 | 1.77 | 0.75 | 2.48 | 0.71 | 28 | 0.33 |
| 90238751 | ERZ.95-1/2-13-098 | 3.74 | 1/2-13 | 4.29 | 1.04 | 2.22 | 2.42 | 1.69 | 0.2 | 1.77 | 0.75 | 0.98 | 0.71 | 28 | 0.3 |
| 90238753 | ERZ.95-1/2-13-126 | 3.74 | 1/2-13 | 4.29 | 1.04 | 2.22 | 2.42 | 1.69 | 0.2 | 1.77 | 0.75 | 1.26 | 0.71 | 28 | 0.3 |
| 90238754 | ERZ.95-1/2-13-138 | 3.74 | 1/2-13 | 4.29 | 1.04 | 2.22 | 2.42 | 1.69 | 0.2 | 1.77 | 0.75 | 1.38 | 0.71 | 28 | 0.31 |
| 90238755 | ERZ.95-1/2-13-157 | 3.74 | 1/2-13 | 4.29 | 1.04 | 2.22 | 2.42 | 1.69 | 0.2 | 1.77 | 0.75 | 1.57 | 0.71 | 28 | 0.32 |
| 90238756 | ERZ.95-1/2-13-177 | 3.74 | 1/2-13 | 4.29 | 1.04 | 2.22 | 2.42 | 1.69 | 0.2 | 1.77 | 0.75 | 1.77 | 0.71 | 28 | 0.33 |
| 90238757 | ERZ.95-1/2-13-197 | 3.74 | 1/2-13 | 4.29 | 1.04 | 2.22 | 2.42 | 1.69 | 0.2 | 1.77 | 0.75 | 1.97 | 0.71 | 28 | 0.34 |
| 90238759 | ERZ.95-1/2-13-248 | 3.74 | 1/2-13 | 4.29 | 1.04 | 2.22 | 2.42 | 1.69 | 0.2 | 1.77 | 0.75 | 2.48 | 0.71 | 28 | 0.37 |



Clamping levers

- 1
- 2
- 3
- 4
- 5
- 6
- 7
- 8
- 9
- 10
- 11
- 12
- 13
- 14
- 15
- 16
- 17
- 18



ERZ-SST-p

INOX STAINLESS STEEL INCH

| Code | Description | R | d | L | D | H | H1 | h1 | h2 | h3 | d1 | l | l1 | Teeth nr | |
|----------|------------------------|------|---------|------|------|------|------|------|------|------|------|------|------|----------|------|
| 90239255 | ERZ.44-SST-1/4-20-063 | 1.73 | 1/4-20 | 2.05 | 0.61 | 1.2 | 1.34 | 0.96 | 0.14 | 0.89 | 0.39 | 0.63 | 0.43 | 18 | 0.05 |
| 90239257 | ERZ.44-SST-1/4-20-079 | 1.73 | 1/4-20 | 2.05 | 0.61 | 1.2 | 1.34 | 0.96 | 0.14 | 0.89 | 0.39 | 0.79 | 0.43 | 18 | 0.05 |
| 90239259 | ERZ.44-SST-1/4-20-098 | 1.73 | 1/4-20 | 2.05 | 0.61 | 1.2 | 1.34 | 0.96 | 0.14 | 0.89 | 0.39 | 0.98 | 0.43 | 18 | 0.05 |
| 90239423 | ERZ.44-SST-1/4-20-126 | 1.73 | 1/4-20 | 2.05 | 0.61 | 1.2 | 1.34 | 0.96 | 0.14 | 0.89 | 0.39 | 1.26 | 0.43 | 18 | 0.06 |
| 90239425 | ERZ.44-SST-1/4-20-157 | 1.73 | 1/4-20 | 2.05 | 0.61 | 1.2 | 1.34 | 0.96 | 0.14 | 0.89 | 0.39 | 1.57 | 0.43 | 18 | 0.06 |
| 90239426 | ERZ.44-SST-1/4-20-177 | 1.73 | 1/4-20 | 2.05 | 0.61 | 1.2 | 1.34 | 0.96 | 0.14 | 0.89 | 0.39 | 1.77 | 0.43 | 18 | 0.06 |
| 90239455 | ERZ.63-SST-5/16-18-079 | 2.48 | 5/16-18 | 2.89 | 0.75 | 1.52 | 1.65 | 1.22 | 0.14 | 1.18 | 0.53 | 0.79 | 0.53 | 24 | 0.1 |
| 90239459 | ERZ.63-SST-5/16-18-126 | 2.48 | 5/16-18 | 2.89 | 0.75 | 1.52 | 1.65 | 1.22 | 0.14 | 1.18 | 0.53 | 1.26 | 0.53 | 24 | 0.11 |
| 90239643 | ERZ.63-SST-5/16-18-157 | 2.48 | 5/16-18 | 2.89 | 0.75 | 1.52 | 1.65 | 1.22 | 0.14 | 1.18 | 0.53 | 1.57 | 0.53 | 24 | 0.11 |
| 90239647 | ERZ.63-SST-5/16-18-248 | 2.48 | 5/16-18 | 2.89 | 0.75 | 1.52 | 1.65 | 1.22 | 0.14 | 1.18 | 0.53 | 2.48 | 0.53 | 24 | 0.13 |
| 90239649 | ERZ.63-SST-3/8-16-079 | 2.48 | 3/8-16 | 2.89 | 0.75 | 1.52 | 1.65 | 1.22 | 0.14 | 1.18 | 0.53 | 0.79 | 0.53 | 24 | 0.1 |
| 90239651 | ERZ.63-SST-3/8-16-157 | 2.48 | 3/8-16 | 2.89 | 0.75 | 1.52 | 1.65 | 1.22 | 0.14 | 1.18 | 0.53 | 1.57 | 0.53 | 24 | 0.12 |
| 90239655 | ERZ.78-SST-3/8-16-098 | 3.07 | 3/8-16 | 3.56 | 0.91 | 1.77 | 1.99 | 1.42 | 0.14 | 1.38 | 0.63 | 0.98 | 0.63 | 26 | 0.21 |
| 90239657 | ERZ.78-SST-3/8-16-126 | 3.07 | 3/8-16 | 3.56 | 0.91 | 1.77 | 1.99 | 1.42 | 0.14 | 1.38 | 0.63 | 1.26 | 0.63 | 26 | 0.24 |
| 90239659 | ERZ.78-SST-3/8-16-157 | 3.07 | 3/8-16 | 3.56 | 0.91 | 1.77 | 1.99 | 1.42 | 0.14 | 1.38 | 0.63 | 1.57 | 0.63 | 26 | 0.29 |
| 90239661 | ERZ.78-SST-3/8-16-197 | 3.07 | 3/8-16 | 3.56 | 0.91 | 1.77 | 1.99 | 1.42 | 0.14 | 1.38 | 0.63 | 1.97 | 0.63 | 26 | 0.31 |
| 90239663 | ERZ.78-SST-3/8-16-248 | 3.07 | 3/8-16 | 3.56 | 0.91 | 1.77 | 1.99 | 1.42 | 0.14 | 1.38 | 0.63 | 2.48 | 0.63 | 26 | 0.33 |
| 90239691 | ERZ.78-SST-1/2-13-126 | 3.07 | 1/2-13 | 3.56 | 0.91 | 1.77 | 1.99 | 1.42 | 0.14 | 1.38 | 0.63 | 1.26 | 0.63 | 26 | 0.25 |
| 90239853 | ERZ.95-SST-1/2-13-126 | 3.74 | 1/2-13 | 4.29 | 1.04 | 2.22 | 2.42 | 1.69 | 0.2 | 1.77 | 0.75 | 1.26 | 0.71 | 28 | 0.3 |
| 90239857 | ERZ.95-SST-1/2-13-197 | 3.74 | 1/2-13 | 4.29 | 1.04 | 2.22 | 2.42 | 1.69 | 0.2 | 1.77 | 0.75 | 1.97 | 0.71 | 28 | 0.34 |
| 90239859 | ERZ.95-SST-1/2-13-248 | 3.74 | 1/2-13 | 4.29 | 1.04 | 2.22 | 2.42 | 1.69 | 0.2 | 1.77 | 0.75 | 2.48 | 0.71 | 28 | 0.36 |

Clamping levers