

- 1
- 2
- 3
- 4
- 5
- 6
- 7
- 8
- 9
- 10
- 11
- 12
- 13
- 14
- 15
- 16
- 17
- 18

MATERIAL

Phenolic based (PF) Duroplast, black colour, glossy finish.

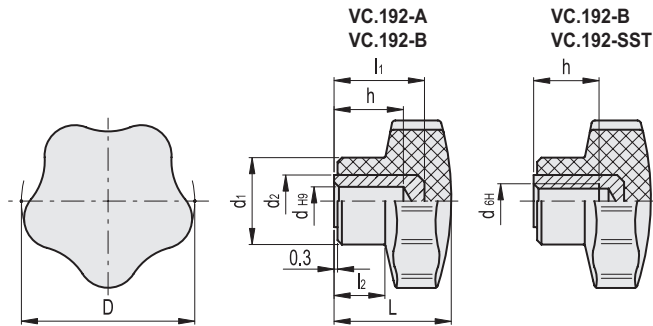
STANDARD EXECUTIONS

- **VC.192-A:** black-oxide steel boss, plain blind hole.
- **VC.192-B:** brass boss, plain or threaded blind hole.
- **VC.192-SST:** AISI 303 stainless steel boss, threaded blind hole.
- **VC.192-p:** zinc-plated steel threaded stud with chamfered flat end as in UNI 947 : ISO 4753 (see Technical data on page A-10).
- **VC.192-SST-p:** AISI 303 stainless steel threaded stud, chamfered flat end according to UNI 947 : ISO 4753 (see Technical data on page A-10).



ELESA Original design

Conversion Table	
1 mm = 0.039 inch	
D	
mm	inch
25	0.98
32	1.26
40	1.57
50	1.97
60	2.36
70	2.76
85	3.35
100	3.94



VC.192-A

METRIC

Code	Description	D	dH9	L	d1	d2	l1	l2	h	⚖
66401	VC.192/50 A-6	50	6	33	25	15	23	14	18	65
66411	VC.192/50 A-8	50	8	33	25	15	25	14	20	57
66441	VC.192/50 A-10	50	10	33	25	16	25	14	21	60
66501	VC.192/60 A-6	60	6	37	27	18	28	17	20	104
66511	VC.192/60 A-8	60	8	37	27	15	25	17	25	89
66541	VC.192/60 A-10	60	10	37	27	18	31	17	25	100
66601	VC.192/70 A-8	70	8	44	30	20	35	20	26	165
66611	VC.192/70 A-10	70	10	44	30	18	31	20	25	135
66701	VC.192/85 A-8	85	8	55	35	22	38	30	25	240
66801	VC.192/100 A-8	100	8	60	38	22	38	31	25	310

VC.192-B

METRIC

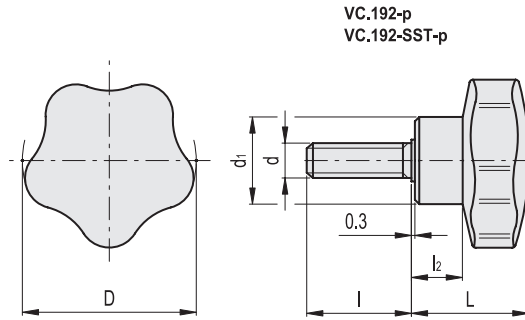
Code	Description	D	d6H	dH9	L	d1	d2	l1	l2	h	⚖
66101	VC.192/25 B-4	25	-	4	21	15	11	14	9	11	15
66111	VC.192/25 B-M4	25	M4	-	21	15	-	-	9	10	11
66201	VC.192/30 B-6	32	-	6	23	19	12	17	11	14	23
66221	VC.192/30 B-M5	32	M5	-	23	19	-	-	11	10	16
66222	VC.192/30 B-M6	32	M6	-	23	19	-	-	11	12	19
66301	VC.192/40 B-6	40	-	6	27	21	12	17	12	14	35
66331	VC.192/40 B-8	40	-	8	27	21	12	18	12	14	32
66341	VC.192/40 B-M6	40	M6	-	27	21	-	-	12	12	27
66342	VC.192/40 B-M8	40	M8	-	27	21	-	-	12	13	31
66451	VC.192/50 B-6	50	-	6	33	25	15	23	14	18	67
66461	VC.192/50 B-8	50	-	8	33	25	15	25	14	20	65
66471	VC.192/50 B-M8	50	M8	-	33	25	-	-	14	20	50
66472	VC.192/50 B-M10	50	M10	-	33	25	-	-	14	17	52
66551	VC.192/60 B-M10	60	M10	-	37	27	-	-	17	17	76
66552	VC.192/60 B-M12	60	M12	-	37	27	-	-	17	20	80
66641	VC.192/70 B-M12	70	M12	-	44	30	-	-	20	20	119
66642	VC.192/70 B-M14	70	M14	-	44	30	-	-	20	20	122
66721	VC.192/85 B-M16	85	M16	-	55	35	-	-	30	22	176
66821	VC.192/100 B-M16	100	M16	-	60	38	-	-	31	22	255

VC.192-SST

INOX STAINLESS STEEL METRIC

Code	Description	D	d6H	L	d1	l2	h	⚖
66226	VC.192/30-SST-M6	32	M6	23	19	11	12	18
66346	VC.192/40-SST-M8	40	M8	27	21	12	13	30
66476	VC.192/50-SST-M10	50	M10	33	25	14	17	50
66556	VC.192/60-SST-M12	60	M12	37	27	17	20	78

Conversion Table 1 mm = 0.039 inch	
D	
mm	inch
25	0.98
32	1.26
40	1.57
50	1.97
60	2.36
70	2.76
85	3.35
100	3.94



VC.192-p

METRIC

Code	Description	D	d _g	L	d ₁	l	l ₂	△
66121	VC.192/25 p-M5x10	25	M5	21	15	10	9	11
66122	VC.192/25 p-M5x16	25	M5	21	15	16	9	12
66131	VC.192/25 p-M6x10	25	M6	21	15	10	9	10
66132	VC.192/25 p-M6x16	25	M6	21	15	16	9	12
66133	VC.192/25 p-M6x20	25	M6	21	15	20	9	14
66134	VC.192/25 p-M6x30	25	M6	21	15	30	9	18
66231	VC.192/30 p-M6x10	32	M6	23	19	10	11	17
66232	VC.192/30 p-M6x16	32	M6	23	19	16	11	18
66233	VC.192/30 p-M6x20	32	M6	23	19	20	11	20
66234	VC.192/30 p-M6x35	32	M6	23	19	35	11	25
66241	VC.192/30 p-M8x20	32	M8	23	19	20	11	24
66242	VC.192/30 p-M8x30	32	M8	23	19	30	11	27
66243	VC.192/30 p-M8x40	32	M8	23	19	40	11	29
66351	VC.192/40 p-M6x10	40	M6	27	21	10	12	28
66352	VC.192/40 p-M6x20	40	M6	27	21	20	12	30
66353	VC.192/40 p-M6x30	40	M6	27	21	30	12	32
66361	VC.192/40 p-M8x16	40	M8	27	21	16	12	35
66362	VC.192/40 p-M8x25	40	M8	27	21	25	12	38
66363	VC.192/40 p-M8x35	40	M8	27	21	35	12	40
66364	VC.192/40 p-M8x45	40	M8	27	21	45	12	43
66481	VC.192/50 p-M8x16	50	M8	33	25	16	14	52
66482	VC.192/50 p-M8x20	50	M8	33	25	20	14	53
66483	VC.192/50 p-M8x25	50	M8	33	25	25	14	55
66484	VC.192/50 p-M8x30	50	M8	33	25	30	14	56
66485	VC.192/50 p-M8x40	50	M8	33	25	40	14	60
66491	VC.192/50 p-M10x20	50	M10	33	25	20	14	63
66492	VC.192/50 p-M10x30	50	M10	33	25	30	14	66
66493	VC.192/50 p-M10x40	50	M10	33	25	40	14	70
66494	VC.192/50 p-M10x50	50	M10	33	25	50	14	73
66561	VC.192/60 p-M10x20	60	M10	37	27	20	17	87
66562	VC.192/60 p-M10x30	60	M10	37	27	30	17	92
66563	VC.192/60 p-M10x40	60	M10	37	27	40	17	98
66564	VC.192/60 p-M10x50	60	M10	37	27	50	17	101
66571	VC.192/60 p-M12x25	60	M12	37	27	25	17	105
66572	VC.192/60 p-M12x30	60	M12	37	27	30	17	110
66573	VC.192/60 p-M12x40	60	M12	37	27	40	17	118
66574	VC.192/60 p-M12x50	60	M12	37	27	50	17	128
66651	VC.192/70 p-M12x30	70	M12	44	30	30	20	140
66652	VC.192/70 p-M12x50	70	M12	44	30	50	20	160
66653	VC.192/70 p-M12x60	70	M12	44	30	60	20	165
66654	VC.192/70 p-M12x70	70	M12	44	30	70	20	175
66661	VC.192/70 p-M14x50	70	M14	44	30	50	20	180
66662	VC.192/70 p-M14x70	70	M14	44	30	70	20	200
66731	VC.192/85 p-M16x50	85	M16	55	35	50	30	290

VC.192-SST-p

INOX STAINLESS STEEL METRIC

Code	Description	D	d _g	L	d ₁	l	l ₂	△
66261	VC.192/30-SST-p-M6x10	32	M6	23	19	10	11	17
66262	VC.192/30-SST-p-M6x16	32	M6	23	19	16	11	18
66263	VC.192/30-SST-p-M6x20	32	M6	23	19	20	11	20
66268	VC.192/30-SST-p-M6x35	32	M6	23	19	35	11	25
66381	VC.192/40-SST-p-M8x20	40	M8	27	21	20	12	37
66382	VC.192/40-SST-p-M8x25	40	M8	27	21	25	12	38
66383	VC.192/40-SST-p-M8x30	40	M8	27	21	30	12	39
66384	VC.192/40-SST-p-M8x35	40	M8	27	21	35	12	40
66388	VC.192/40-SST-p-M8x45	40	M8	27	21	45	12	43
66496	VC.192/50-SST-p-M10x20	50	M10	33	25	20	14	63
66497	VC.192/50-SST-p-M10x30	50	M10	33	25	30	14	66
66498	VC.192/50-SST-p-M10x40	50	M10	33	25	40	14	70
66499	VC.192/50-SST-p-M10x50	50	M10	33	25	50	14	73
66591	VC.192/60-SST-p-M12x30	60	M12	37	27	30	17	110
66593	VC.192/60-SST-p-M12x40	60	M12	37	27	40	17	118
66595	VC.192/60-SST-p-M12x50	60	M12	37	27	50	17	128
66671	VC.192/70-SST-p-M12x70	70	M12	44	30	70	20	175

