

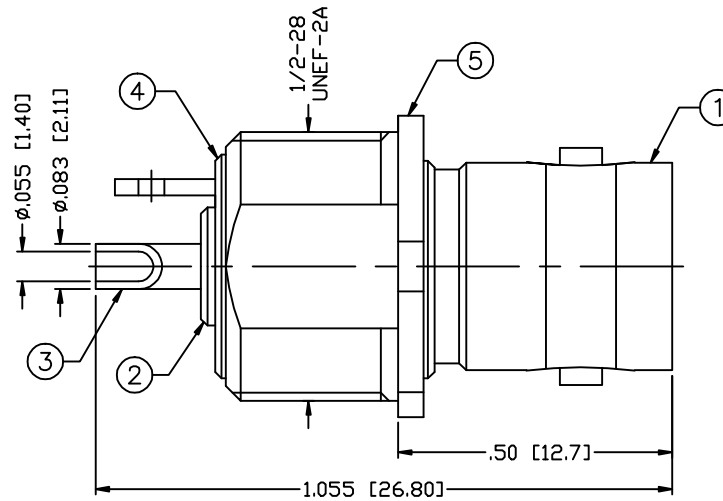
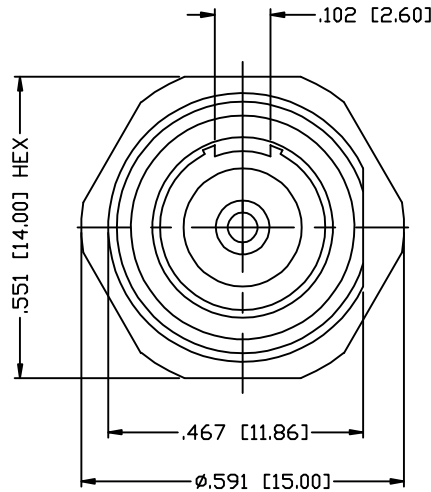
THIS DRAWING CONTAINS INFORMATION PROPRIETARY TO RF INDUSTRIES,  
 ANY UNAUTHORIZED USE OF THIS DRAWING IS EXPRESSLY PROHIBITED  
 WITHOUT WRITTEN PERMISSION FROM RF INDUSTRIES.  
 ANY VIOLATION IS PUNISHABLE UNDER U.S. COPYRIGHT LAWS.

ALL DIMENSIONS ARE REFERENCE ONLY

PART NO.

**RFB-1716-I-03**

REV	DESCRIPTION	DWN	DATE	APPROVED
-	ENGINEERING RELEASE	CZS	4/29/03	JDMc



MAX. PANEL THICKNESS: .157"

SPECIFICATIONS:

IMPEDANCE: 75 Ohms  
 FREQUENCY RANGE: 0-4 GHz  
 WORKING VOLTAGE: 500 V rms @ sea level  
 TEMPERATURE RANGE: -65°C TO 165°C  
 INSULATION RESISTANCE: 5k M Ohms min.

1	BODY	1	BRASS	NICKEL, 100µ"	008974	
2	INSULATOR	1	PTFE	---		
3	CONTACT	1	PHOS. BRONZE	GOLD, 3µ"		
4	INSULATOR	1	DELRIIN	---		
5	HOUSING	1	BRASS	NICKEL, 100µ"		
6						
7						
8						
9						
10						
11						
12						
13						
14						
#	DESCRIPTION	QTY	MATERIAL	FINISH	APPROVALS	DATE

DRAWN  
C. ZUNIGA  
3/14/07  
CHECKED  
ORJ DRAWN  
C. ZUNIGA  
3/14/07

DIMENSIONS ARE IN INCHES  
 AND [MILLIMETERS]  
 UNLESS OTHERWISE NOTED  
 TOLERANCES ARE:  
 DECIMALS      DIAMETER

**RFconnectors**

7610 MIRAMAR RD  
 SAN DIEGO, CA 92126  
 (858) 549-6340  
 (858) 549-6345 FAX

DIVISION OF RF INDUSTRIES, LTD.

**BNC JACK**

BULKHEAD, NO HARDWARE, ISOLATED RECEPTACLE

SIZE	CABLE GROUP	DWG NO.	REV
A	N/A	RFB-1716-I-03	-
SCALE: NTS		CAD FILE OUTLINE	SHEET 1 OF 1