


MDT0350AIH-MULTI	240 x 320	Multi Interface	TFT Module
(MCT035W0E240320PMLIPS)			
<b>Specification</b>			
Version: 1		Date: 18/05/2017	
<b>Revision</b>			
1	18/05/2017	First issue	

Display Features					
Display Size	3.5"				
Resolution	240 x 320				
Orientation	Portrait				
Appearance	RGB				
Logic Voltage	2.8V				
Interface	Multi				
Brightness	500 cd/m <sup>2</sup>				
Touchscreen	---				
Module Size	63.00 x 85.00 x 3.00mm				
Operating Temperature	-30°C ~ +85°C				
Pinout	50 way FFC			Box Quantity	Weight / Display
Pitch	0.5mm			---	---

\* - For full design functionality, please use this specification in conjunction with the HX8347A specification.(Provided Separately)

Display Accessories	
Part Number	Description
MPBV5 Kit	Interconnect board that converts a 50-way FFC to 50 crimp-wire connector.
MCIB-12	Uno32 Break-out Board with SD Card and LED Backlight Driver. The MCIB-12 Board can be used for any display with a 4 bit, 8 bit, I2C or SPI interface.

Optional Variants	
Appearances	Voltage



## \* Description

This is a color active matrix TFT (Thin Film Transistor) LCD (liquid crystal display) that uses amorphous silicon TFT as a switching device. This model is composed of a Transmissive type TFT-LCD Panel, driver circuit, back-light unit. The resolution of a 3.5'TFT-LCD contains 240x320 pixels, and can display up to 65K/262K colors.

## \* Features

- Low Input Voltage: 3.3V(TYP)
- Display Colors of TFT LCD: 65K/262K colors
- Interface: 8/16/18Bit MCU Interface
  - 3 SPI+16/18Bit RGB Interface
  - 3 line Serial Interface

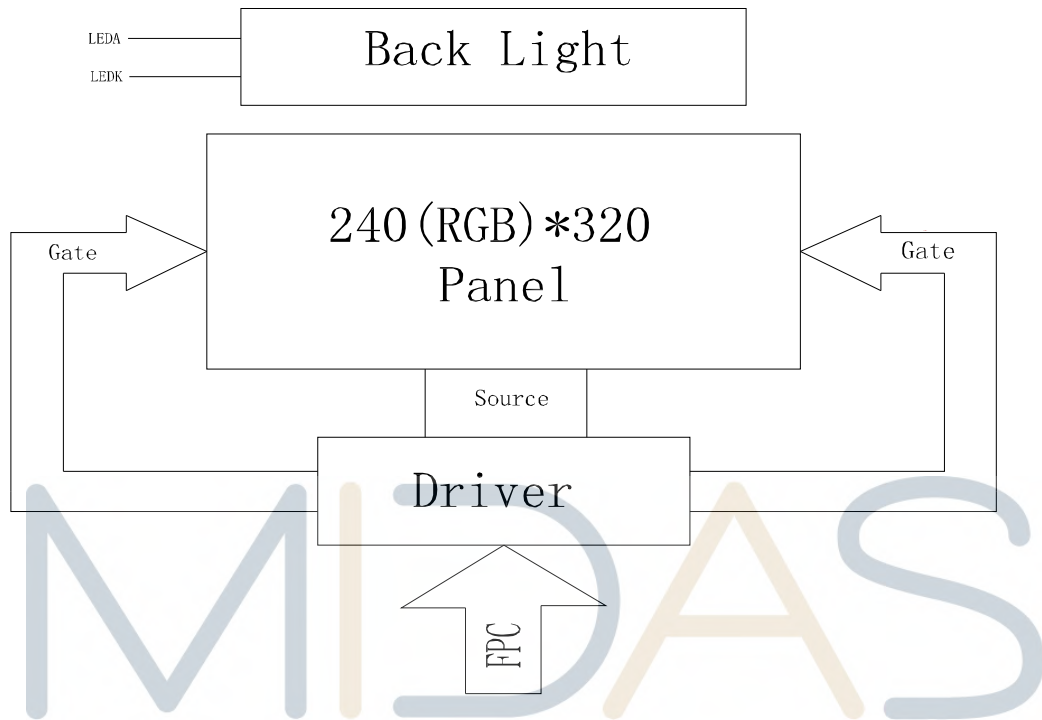
General Information Items	Specification	Unit	Note
	Main Panel		
Display area(AA)	53.28(H)*71.04 ( V ) (3.5inch)	mm	-
Driver element	TFT active matrix	-	-
Display colors	65K/262K	colors	-
Number of pixels	240(RGB)*320	dots	-
Pixel arrangement	RGB vertical stripe	-	-
Pixel pitch	0.222(H)*0.222(V)	mm	-
Viewing angle	Free	o'clock	-
Controller IC	HX8347A	-	-
Display mode	Transmissive/ Normally Black	-	-
Operating temperature	-30~+85	°C	-
Storage temperature	-40~+90	°C	-

## \* Mechanical Information

Item		Min.	Typ.	Max.	Unit	Note
Module size	Horizontal(H)		61.08		mm	-
	Vertical(V)		84.09		mm	-
	Depth(D)		2.6		mm	-
Weight			TBD		g	-



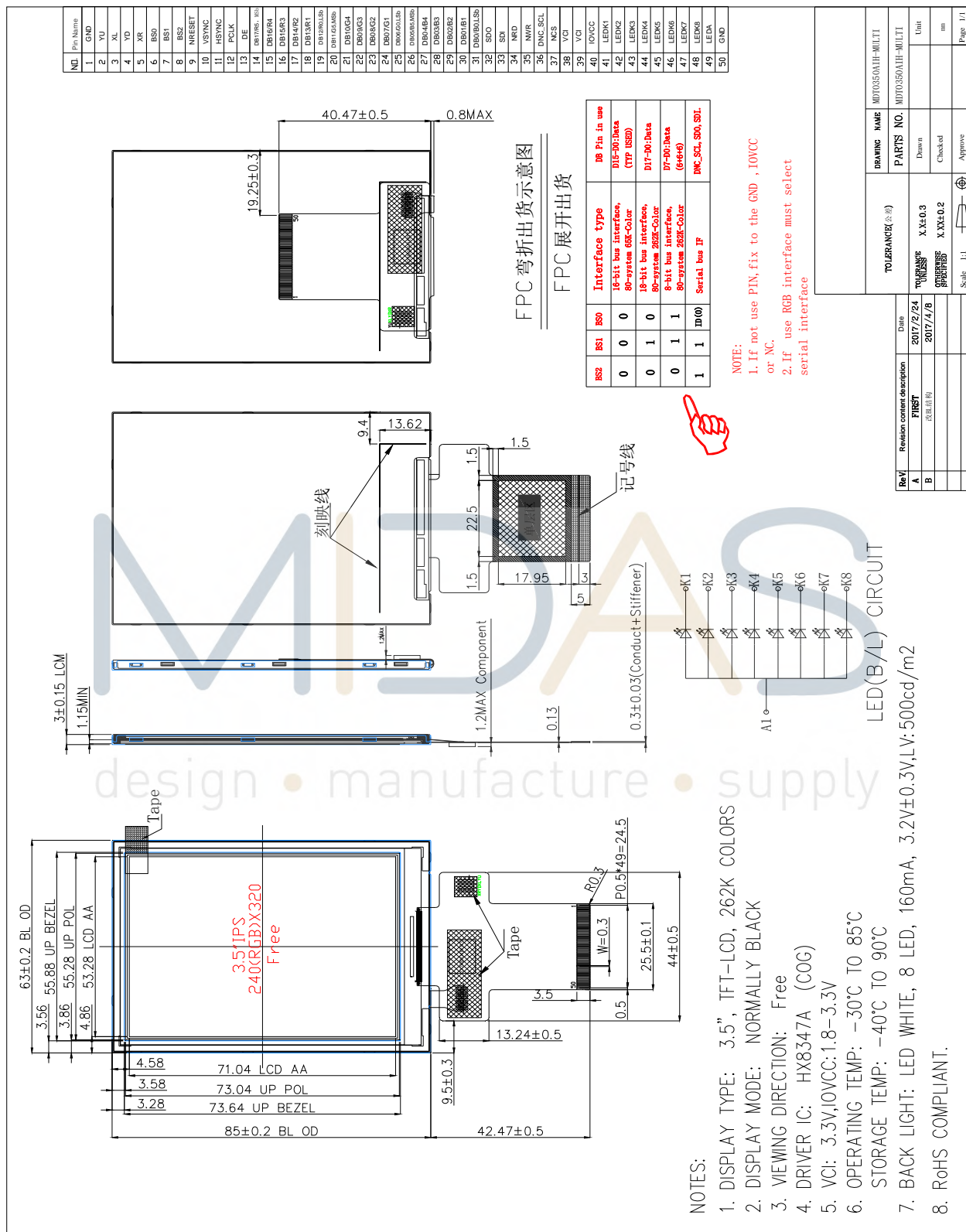
## Block Diagram



MIDAS  
design • manufacture • supply



# Outline dimension



## Input terminal Pin Assignment

NO.	SYMBOL	DISCRIPTION	I/O
1	GND	Ground.	P
2	YU(NC)	Touch panel Top Film Terminal	A/D
3	XL(NC)	Touch panel LIFT Glass Terminal	A/D
4	YD(NC)	Touch panel Bottom Film Terminal	A/D
5	XR(NC)	Touch panel Right Glass Terminal	A/D
6	BS0	MPU Parallel interface bus and serial interface select If use RGB Interface must select serial interface. Fix this pin at VCI and GND.	I
7	BS1		I
8	BS2		I
9	NRESET	This signal will reset the device and must be applied to properly initialize the chip.	I
10	VSYNC	Frame synchronizing signal for RGB interface operation. fix this pin at VCI or GND when not in use.	I
11	HSYNC	Line synchronizing signal for RGB interface operation. fix this pin at VCI or GND when not in use	I
12	PCLK	Dot clock signal for RGB interface operation Fix this pin at VCI or GND when not in use.	I
13	DE	Data enable signal for RGB interface operation. fix this pin at VCI or GND when not in use.	I
14-31	DB17-DB0	18-bit parallel bi-directional data bus for MCU system and RGB interface mode . Fix to GND level when not in use	I
32	SDO	Serial data output pin in serial bus system interface. If not used, please open this pin.	O
33	SDI	Serial input signal.The data is applied on the rising edge of the SCL signal. If not used, fix this pin at VCI or GND.	I
34	NRD	Serves as a read signal and MCU read data at the rising edge. fix this pin at VCI or GND when not in use.	I
35	NWR	NWR pin, serves as a write signal	I
36	DNC_SCL	DNC_SCL pin as Serial Clock when operates in the serial interface	I



37	NCS	Chip select input pin ("Low" enable). fix this pin at VCI or GND when not in use.	I
38	VCI	Supply voltage(3.3V).	P
39	VCI	Supply voltage(3.3V).	P
40	IOVCC	Supply voltage(1.8-3.3V)	P
41	LEDK1	Cathode pin OF backlight	P
42	LEDK2	Cathode pin OF backlight	P
43	LEDK3	Cathode pin OF backlight	P
44	LEDK4	Cathode pin OF backlight	P
45	LEDK5	Cathode pin OF backlight	P
46	LEDK6	Cathode pin OF backlight	P
47	LEDK7	Cathode pin OF backlight	P
48	LEDK8	Cathode pin OF backlight	P
49	LEDA	Anode pin of backlight	P
50	GND	Ground.	P

design • manufacture • supply



# LCD Optical Characteristics

## Optical specification

Item	Symbol	Condition	Min.	Typ.	Max.	Unit.	Note	
Contrast Ratio	CR	$\Theta=0$ Normal viewing angle	--	800	--			
Response time	Rising		$T_R$	--	16	21	msec	
	Falling		$T_F$	--	19	24		
Color gamut	S(%)			--	72	--	%	
Color Filter Chromaticity	White		$W_X$	0.336	0.340	0.344		
			$W_Y$	0.356	0.360	0.364		
	Red		$R_X$	0.618	0.620	0.622		
			$R_Y$	0.338	0.340	0.342		
	Green		$G_X$	0.348	0.350	0.352		
			$G_Y$	0.620	0.622	0.624		
	Blue	$B_X$	0.148	0.150	0.152			
		$B_Y$	0.033	0.035	0.037			
Viewing angle	Hor.	$\Theta_L$	--	80	--			
		$\Theta_R$	--	80	--			
	Ver.	$\Theta_U$	--	80	--			
		$\Theta_D$	--	80	--			
Option View Direction	Free							

## Measuring Condition

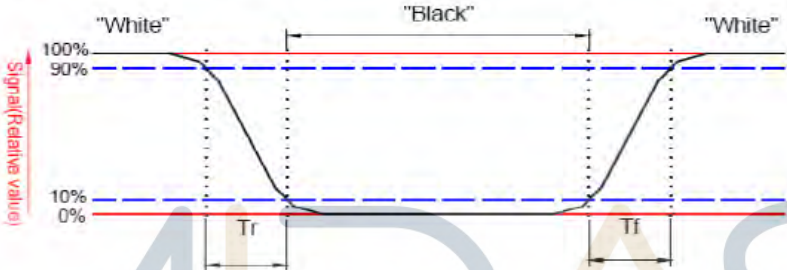
- Measuring surrounding: dark room
- Ambient temperature:  $25\pm 2^\circ\text{C}$
- 15min. warm-up time.





# Measuring Equipment

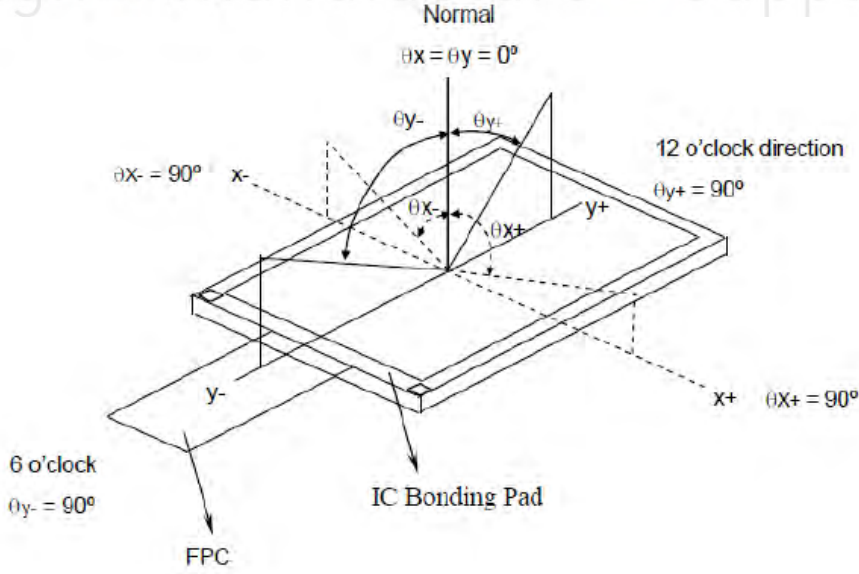
- Note 1: Ambient temperature = 25°C.
- Note 2: To be measured with a viewing cone of 2° by Topcon luminance meter BM-5A.
- Note 3: To be measured with Otsuta chromaticity meter LCF-2100M, CF only measure under C light simulation.
- Note 4: CTC shipping status is cell without polarizer. Transmittance of Specification is cell with polarizer. The tolerance of Transmittance is ± 10%.
- Note 5: Definition of response time:  
The output signals of TRD-100 are measured when the input signals are changed to "White" (falling time) and from "White" to "Black" (rising time), respectively. The interval is between the 10% and 90% of amplitudes. Refer to figure as below.]



Note 6: Definition of contrast ratio:  
Contrast ratio is calculated by the following formula.  

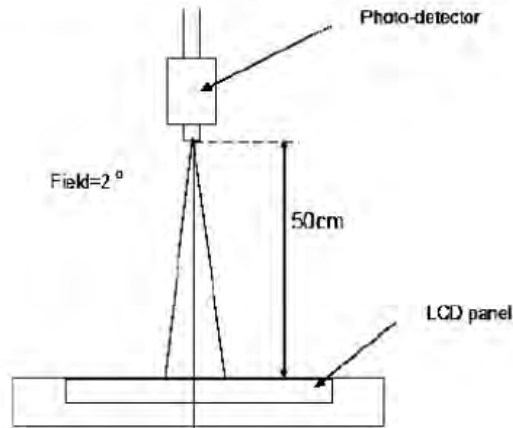
$$\text{Contrast ratio (CR)} = \frac{\text{Brightness on the "white" state}}{\text{Brightness on the "black" state}}$$

Note 7: Definition of viewing angle

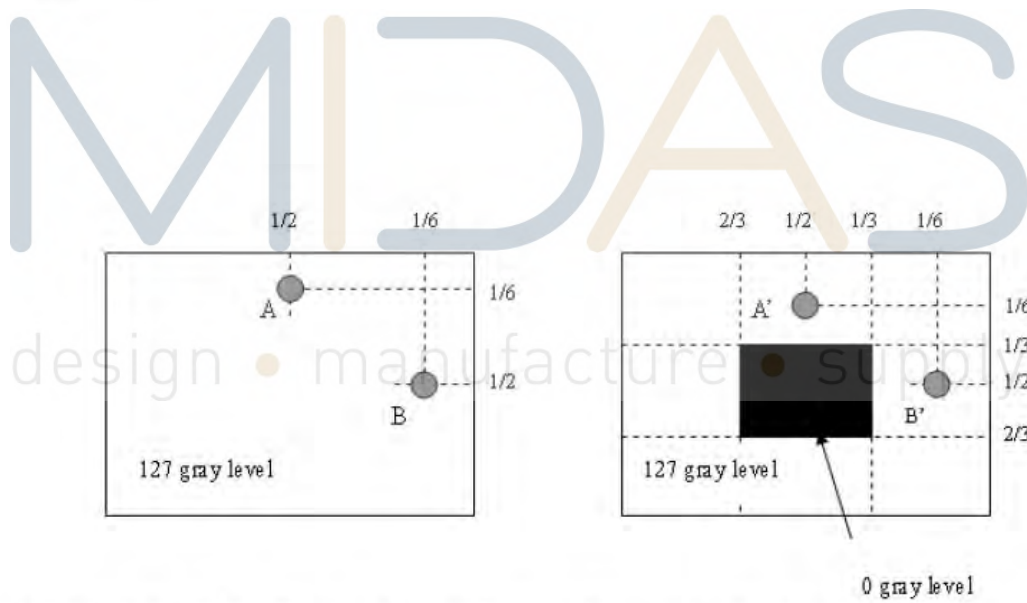




Note 8: Optical characteristic measurement setup.



Note 9:



$|LA - LA'| / LA \times 100\% = 2\% \text{ max.}$ , LA and LA' are brightness at location A and A'.

$|LB - LB'| / LB \times 100\% = 2\% \text{ max.}$ , LB and LB' are brightness at location B and B'.



## Electrical Characteristics

### Absolute Maximum Rating (Ta=25 VSS=0V)

Characteristics	Symbol	Min.	Max.	Unit
Digital Supply Voltage	VCI	-0.3	4.2	V
Digital interface supply Voltage	IOVCC	-0.3	3.3	V
Operating temperature	T <sub>OP</sub>	-30	+85	°C
Storage temperature	T <sub>ST</sub>	-40	+90	°C

### NOTE:

If the absolute maximum rating of even is one of the above parameters is exceeded even momentarily, the quality of the product may be degraded. Absolute maximum ratings, therefore, specify the values exceeding which the product may be physically damaged. Be sure to use the product within the range of the absolute maximum ratings.

### DC Electrical Characteristics

Characteristics	Symbol	Min.	Typ.	Max.	Unit	Note
Digital Supply Voltage	VCI	2.5	2.8	3.3	V	
Digital interface supply Voltage	IOVCC	1.65	1.8	3.3	V	
Normal mode Current consumption	IDD	--	9	--	mA	
Level input voltage	V <sub>IH</sub>	0.7IOVCC		IOVCC	V	
	V <sub>IL</sub>	GND		0.3IOVCC	V	
Level output voltage	V <sub>OH</sub>	0.8IOVCC		IOVCC	V	
	V <sub>OL</sub>	GND		0.2IOVCC	V	



### LED Backlight Characteristics

The back-light system is edge-lighting type with 8chips White LED

Item	Symbol	Min.	Typ.	Max.	Unit	Note
Forward Current	$I_F$	120	160	--	mA	
Forward Voltage	$V_F$	--	3.2	--	V	
LCM Luminance	$L_V$	--	450	--	cd/m <sup>2</sup>	Note3
LED life time	Hr	50000	--	--	Hour	Note1,2
Uniformity	AVg	80	--	--	%	Note3

Note (1) :

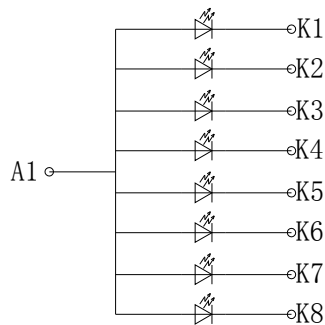
LED life time (Hr) can be defined as the time in which it continues to operate under the condition:

$T_a=25\pm3\text{ }^\circ\text{C}$ , typical IL value indicated in the above table until the brightness becomes less than 50%.

Note (2) The "LED life time" is defined as the module brightness decrease to 50% original brightness at

$T_a=25\text{ }^\circ\text{C}$  and  $I_L=160\text{mA}$ . The LED lifetime could be decreased if operating  $I_L$  is larger than 160mA. The constant current driving method is suggested.

design • manufacture • supply

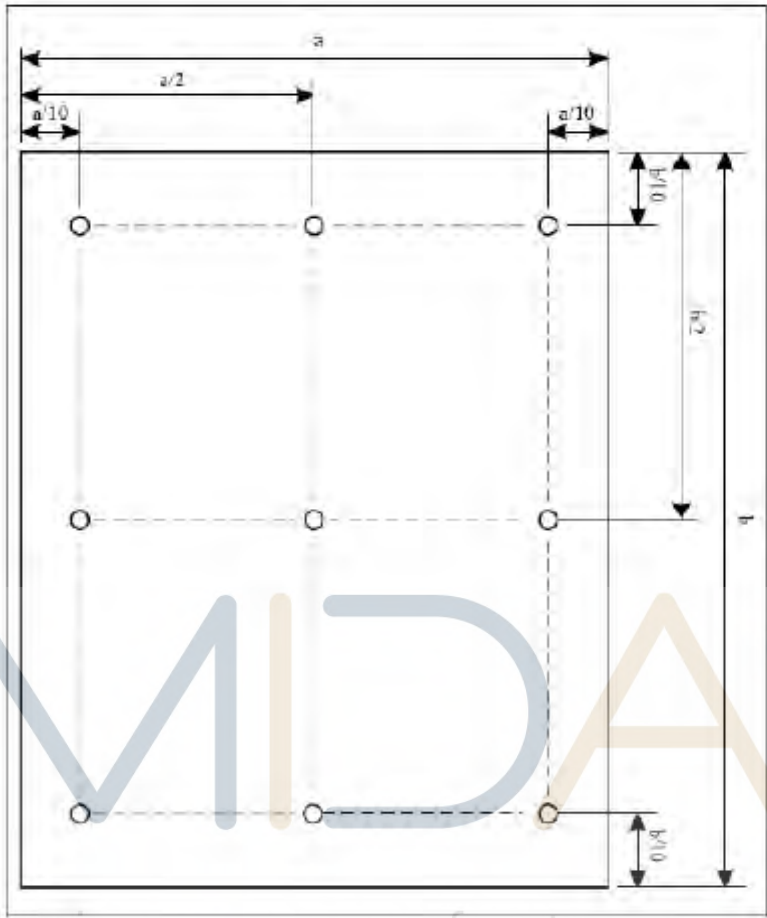


LED(B/L) CIRCUIT

LED WHITE, 8 LED, 160mA, 3.2V±0.3V



NOTE 3: Luminance Uniformity of these 9 points is defined as below:



$$\text{Uniformity} = \frac{\text{minimum luminance in 9 points (1-9)}}{\text{maximum luminance in 9 points (1-9)}}$$

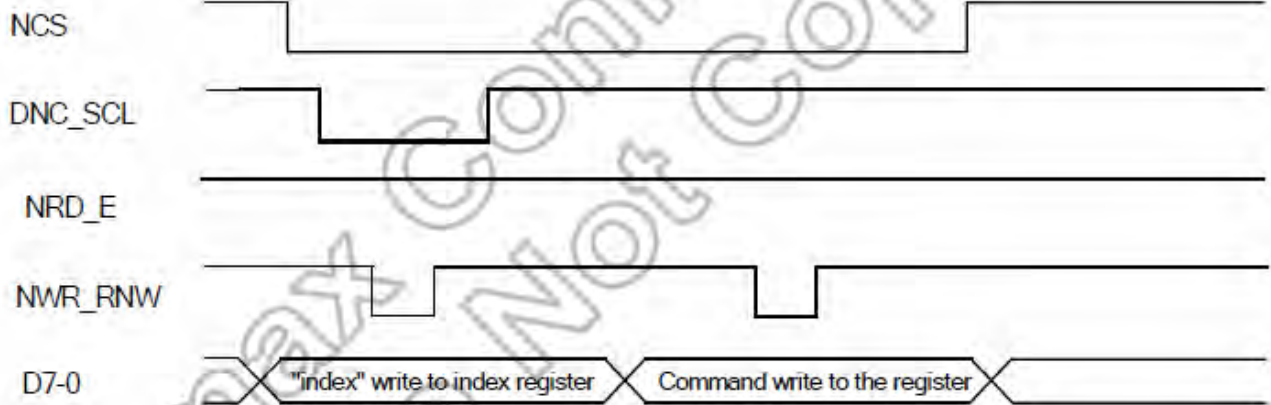
$$\text{Luminance} = \frac{\text{Total Luminance of 9 points}}{9}$$



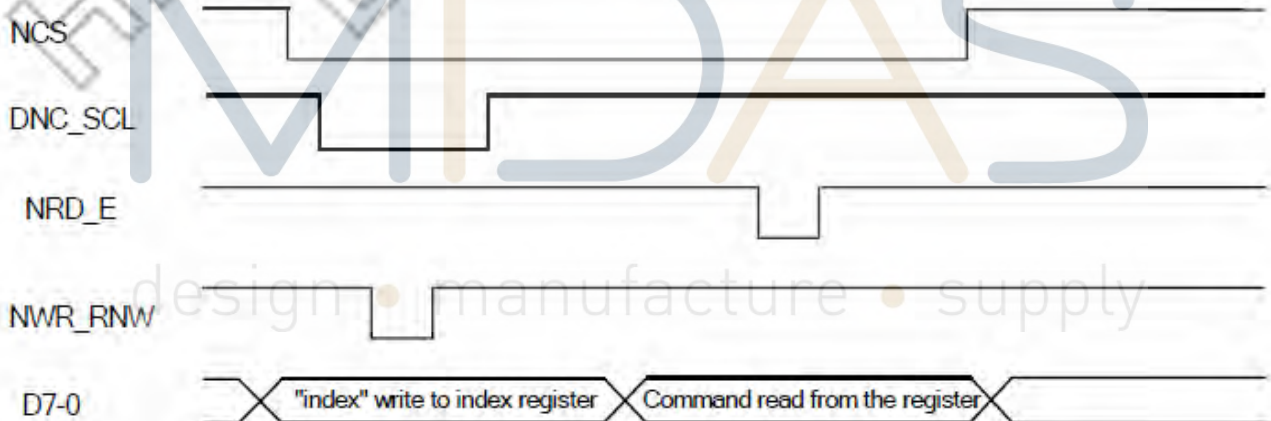
# AC Characteristic

## Display Parallel 8-bit Interface Timing Characteristics (8080 system)

Write to the register

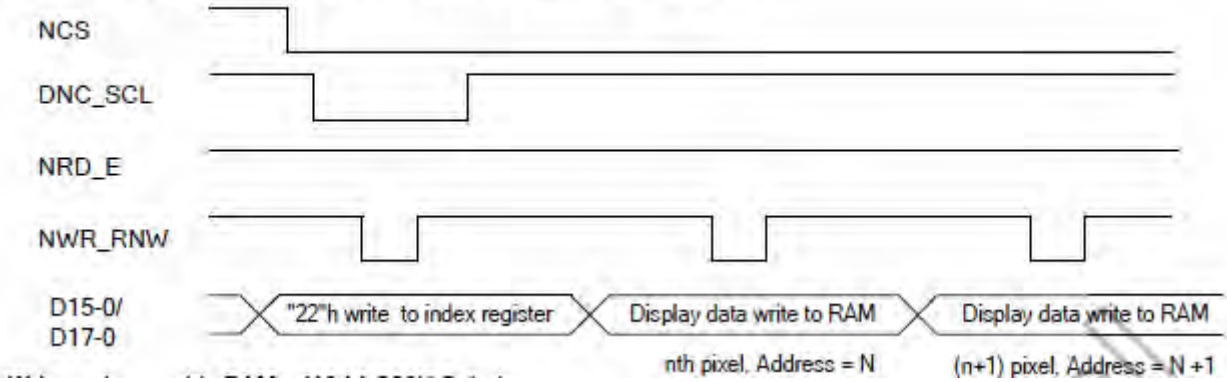


Read the register

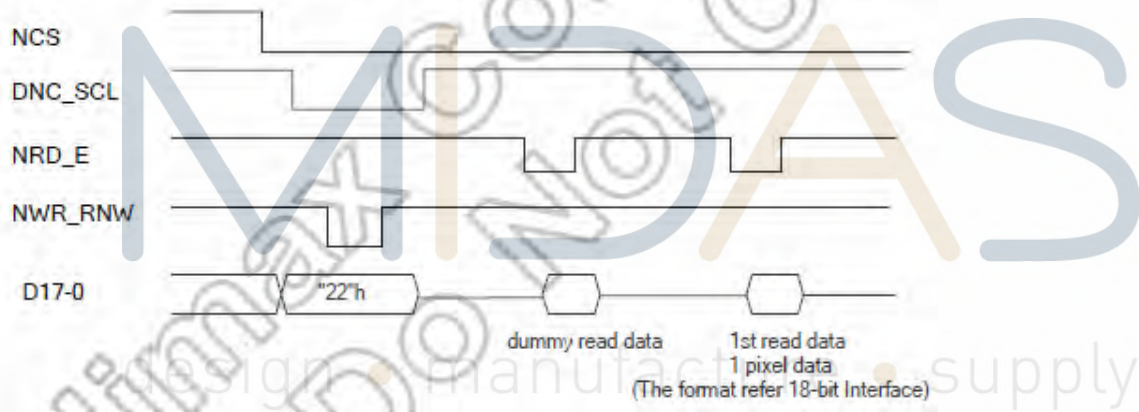


### Display Parallel 16/18-bit Interface Timing Characteristics (8080 system)

Write to the graphic RAM (16-bit 65K Color / 18-bit bit 262K Color)



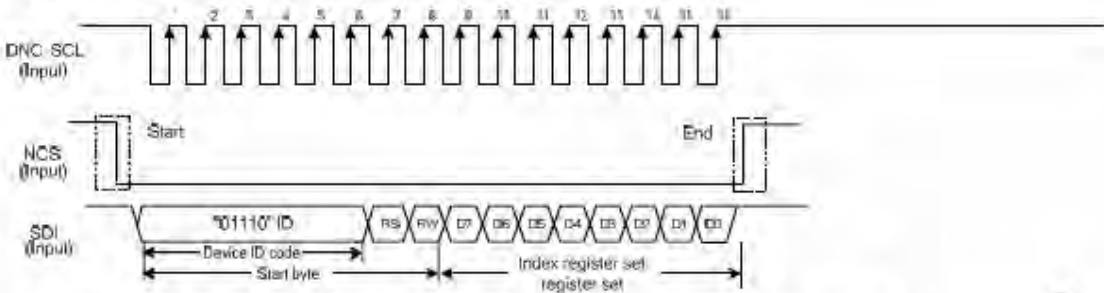
Read the graphic RAM (18-bit 262K Color)



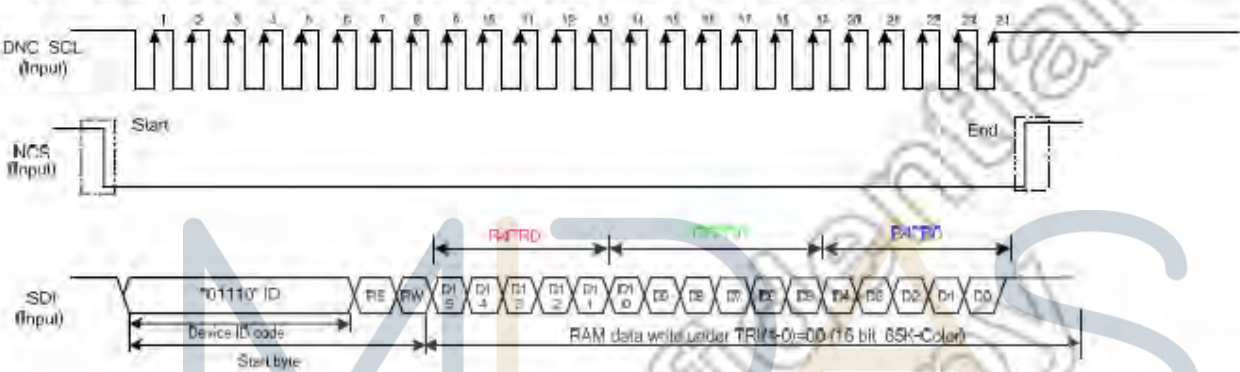


# Display Serial Interface Timing Characteristics (3-line SPI system)

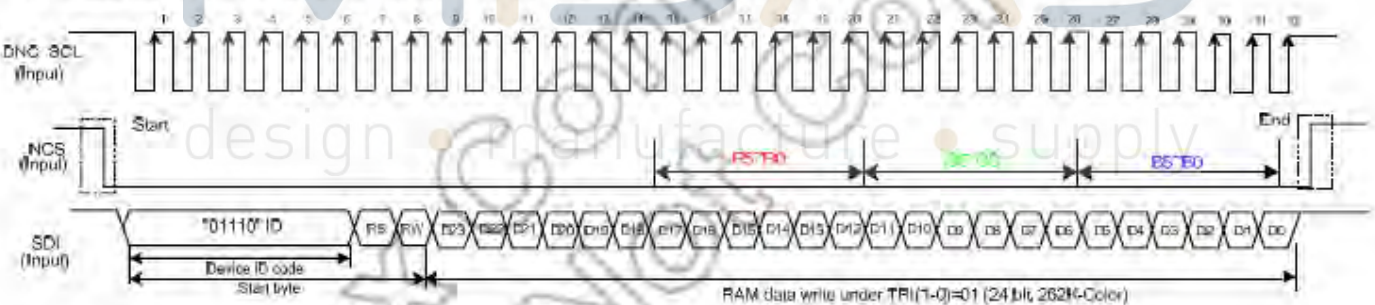
A) Transfer Timing Format in Serial Bus Interface for Index Register or Register Write



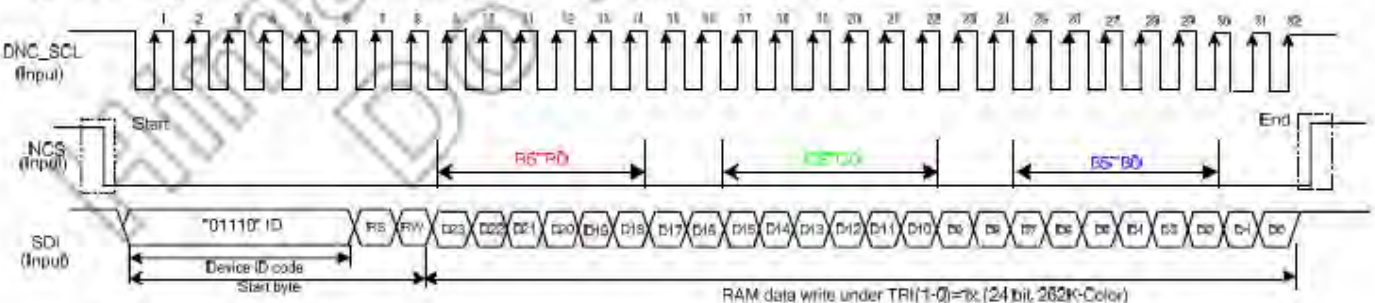
B) Transfer Timing Format in Serial Bus Interface for GRAM write (index = "22h", TRI(1-0) = 00)



C) Transfer Timing Format in Serial Bus Interface for GRAM Write (index = "22'h", TRI(1-0) = 01)

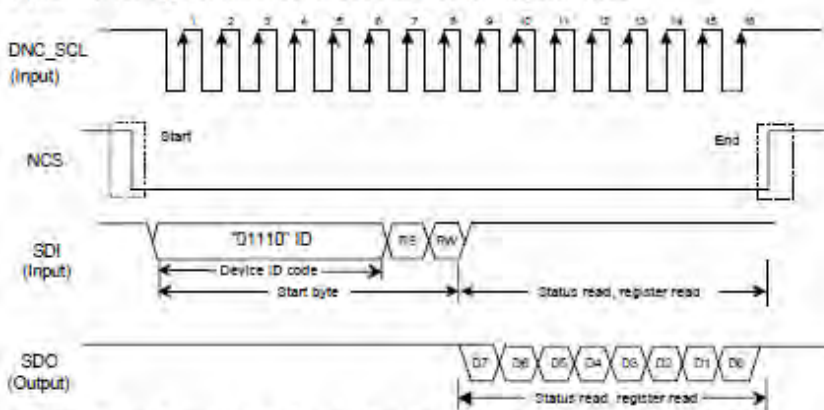


D) Transfer Timing Format in Serial Bus Interface for GRAM Write (index = "22'h", TRI(1-0) = 1x)

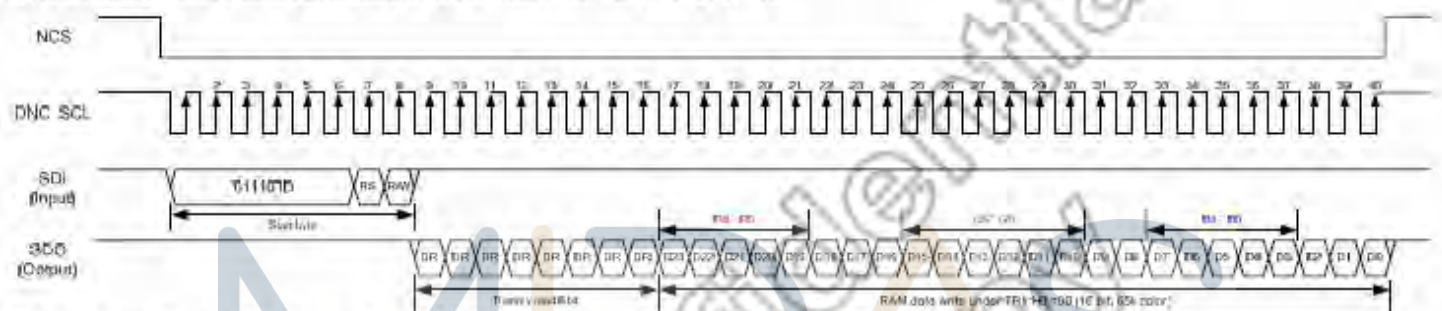




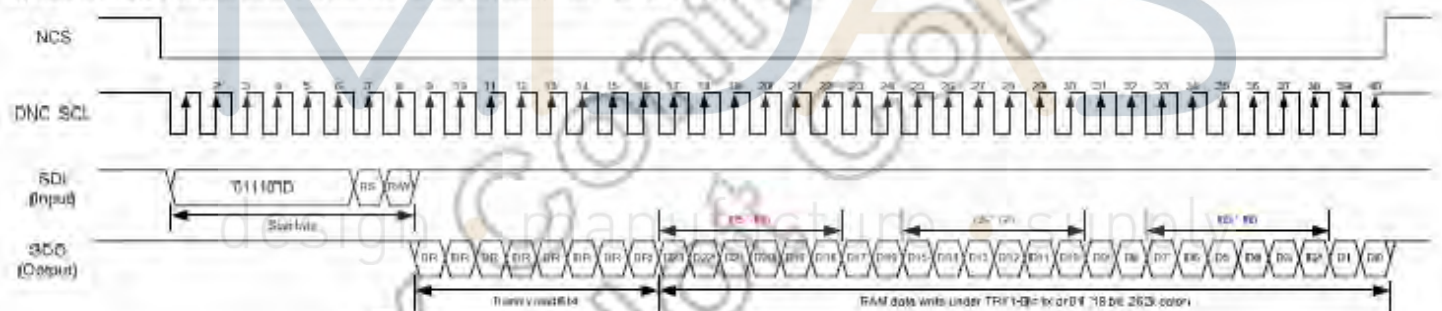
**A) Transfer Timing Format in Serial Bus Interface for Register Read**



**B) Transfer Timing Format in Serial Bus Interface for GRAM Read (index = '22h'), TR1(1-0) = 00**



**C) Transfer Timing Format in Serial Bus Interface for GRAM Read (index = '22h'), TR1(1-0) = 11 or 01**



**D) Timing Format of GRAM -Data Read**



Note: A RAM data read operation follows 8 bit dummy read operations.



# Parallel RGB Interface Timing Characteristics

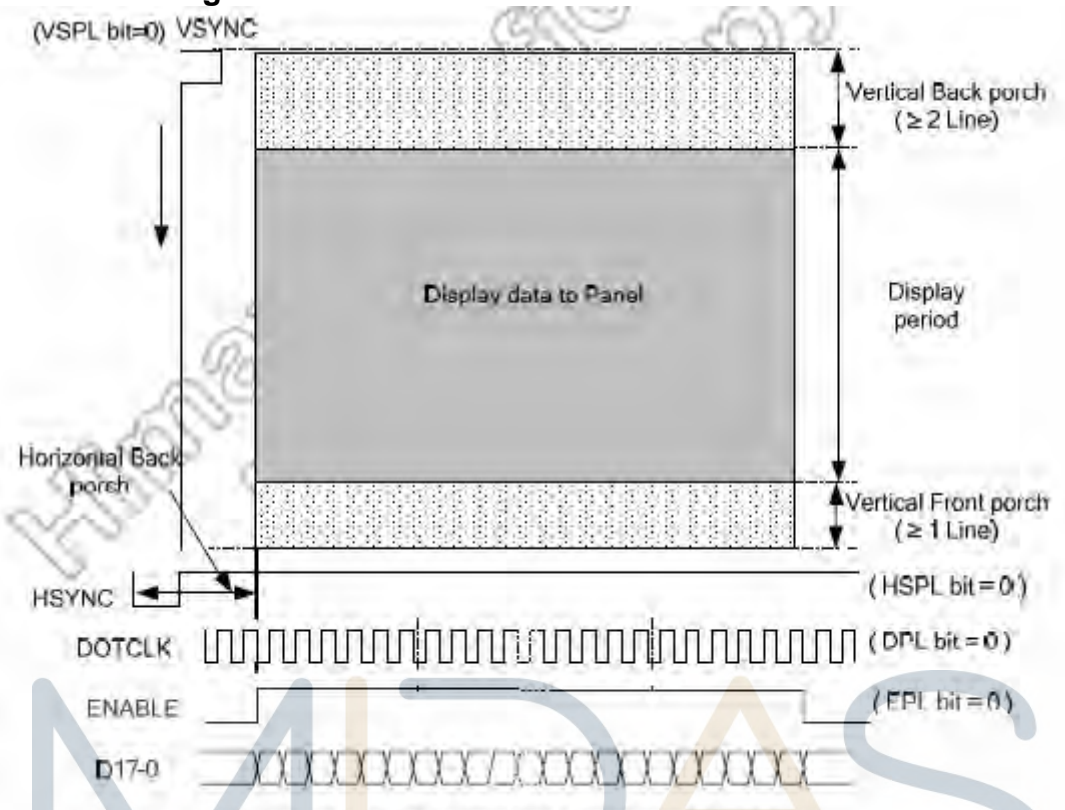


Figure 5. 17 RGB Interface Circuit Input Timing

design • manufacture • supply



16 bit/pixel color order (R 5-bit, G 6-bit, B 5-bit), 65,536 colors (CSEL(2-0) = "101")

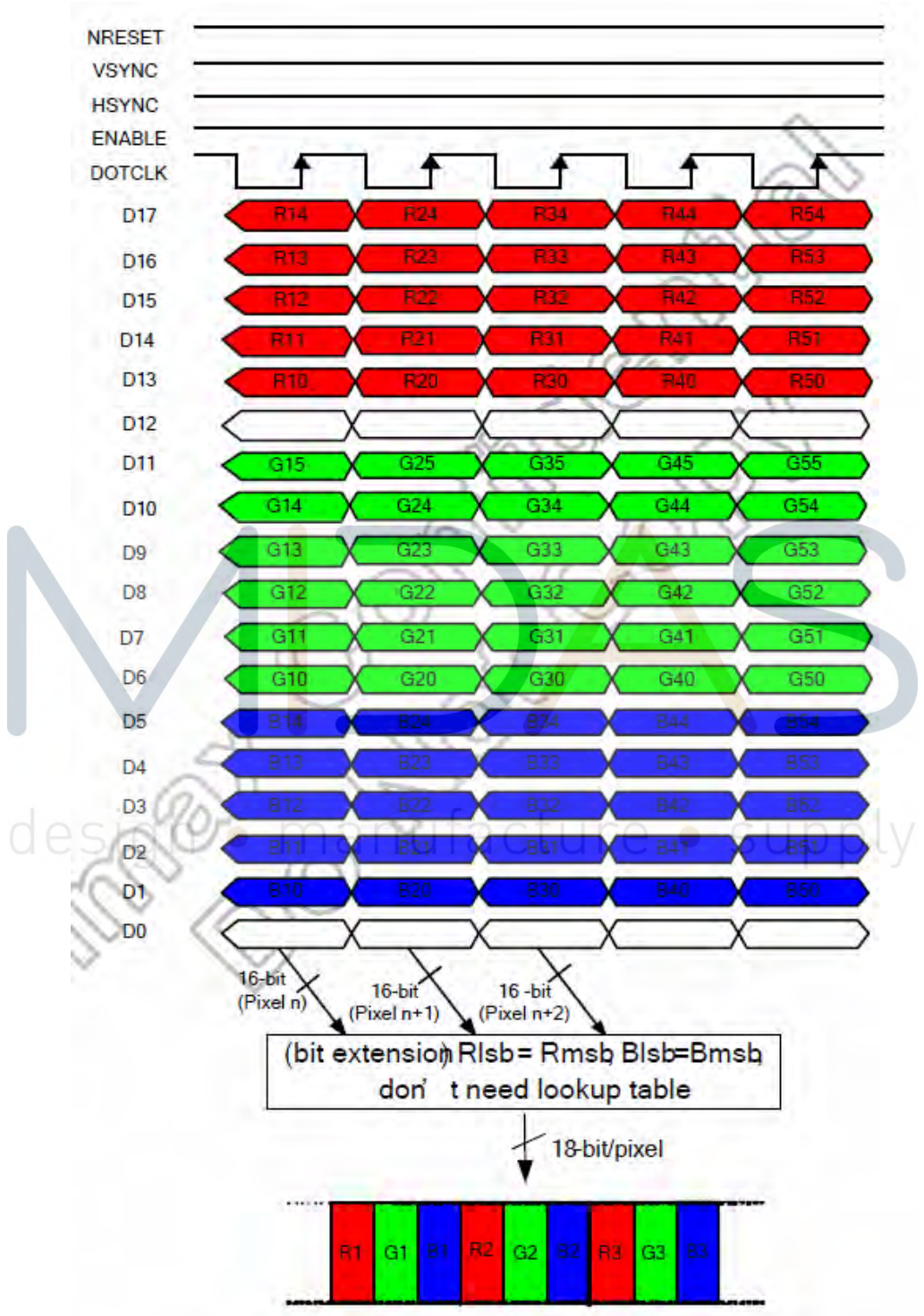


Figure 5. 18 16-Bit / Pixel Data Input of RGB Interface





18 bit/pixel color order (R 6-bit, G 6-bit, B 6-bit), 262,144 colors (CSEL(2-0) = "110")

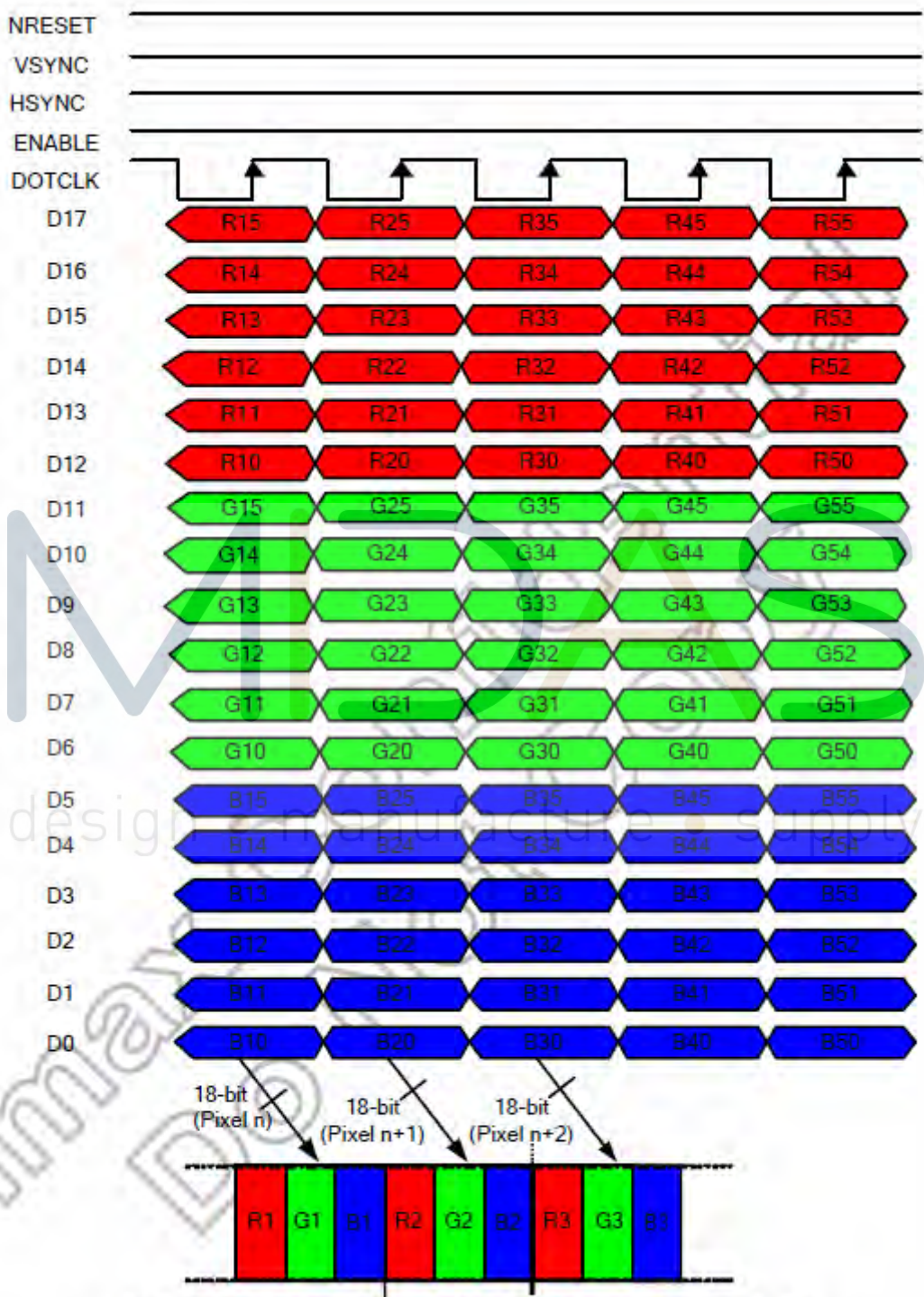


Figure 5. 19 18-Bit / Pixel Data Input of RGB Interface



# LCD Module Out-Going Quality Level

## VISUAL & FUNCTION INSPECTION STANDARD

### Inspection conditions

Inspection performed under the following conditions is recommended.

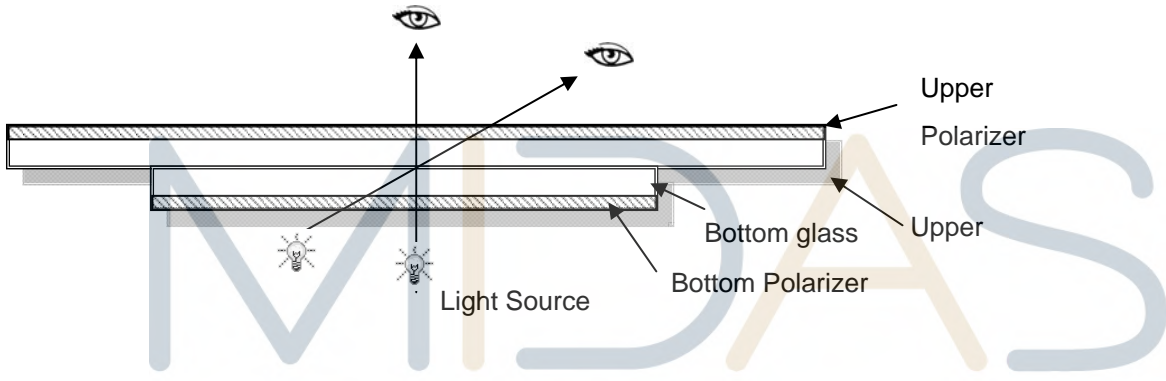
Temperature :  $25 \pm 5^\circ\text{C}$

Humidity :  $65\% \pm 10\% \text{RH}$

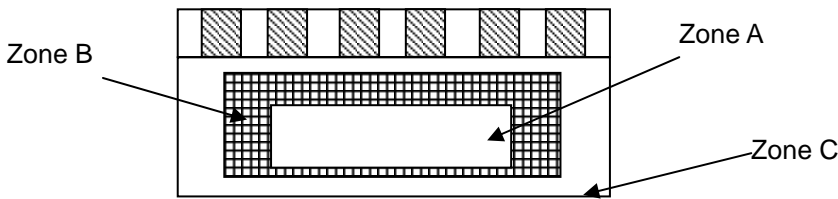
Viewing Angle : Normal viewing Angle.

Illumination: Single fluorescent lamp (300 to 700Lux)

Viewing distance:30-50cm



### Definition



Zone A : Effective Viewing Area(Character or Digit can be seen)

Zone B : Viewing Area except Zone A

Zone C : Outside (Zone A+Zone B) which can not be seen after assembly by customer .)

Note:

As a general rule ,visual defects in Zone C can be ignored when it doesn't effect product function or appearance after assembly by customer.



## Sampling Plan

According to GB/T 2828-2003 ; , normal inspection, Class II

AQL:

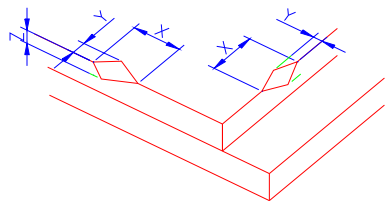
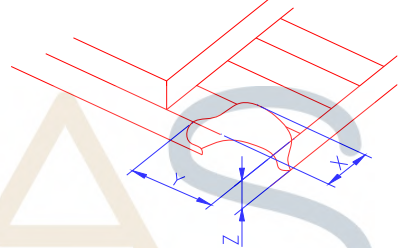
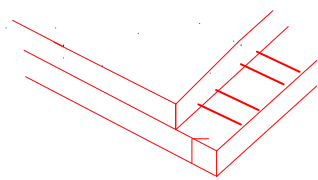
Major defect	Minor defect
0.65	1.5

LCD: Liquid Crystal Display , TP: Touch Panel , LCM: Liquid Crystal Module

No	Items to be inspected	Criteria	Classification of defects
1	Functional defects	1) No display, Open or miss line 2) Display abnormally, Short 3) Backlight no lighting, abnormal lighting. 4) TP no function	Major
2	Missing	Missing component	
3	Outline dimension	Overall outline dimension beyond the drawing is not allowed	
4	Color tone	Color unevenness, refer to limited sample	Minor
5	Soldering appearance	Good soldering , Peeling off is not allowed.	
6	LCD/Polarizer/TP	Black/White spot/line, scratch, crack, etc.	

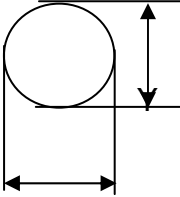


**Criteria (Visual)**

Number	Items	Criteria(mm)						
<p>1.0 LCD Crack/Broken</p> <p>NOTE:  X: Length  Y: Width  Z: Height  L: Length of ITO,  T: Height of LCD</p>	<p>(1) The edge of LCD broken</p>	 <table border="1" data-bbox="861 660 1444 817"> <thead> <tr> <th>X</th> <th>Y</th> <th>Z</th> </tr> </thead> <tbody> <tr> <td>≤3.0mm</td> <td>&lt;Inner border line of the seal</td> <td>≤T</td> </tr> </tbody> </table>	X	Y	Z	≤3.0mm	<Inner border line of the seal	≤T
X	Y	Z						
≤3.0mm	<Inner border line of the seal	≤T						
	<p>(2)LCD corner broken</p>	 <table border="1" data-bbox="925 1153 1380 1254"> <thead> <tr> <th>X</th> <th>Y</th> <th>Z</th> </tr> </thead> <tbody> <tr> <td>≤3.0mm</td> <td>≤L</td> <td>≤T</td> </tr> </tbody> </table>	X	Y	Z	≤3.0mm	≤L	≤T
X	Y	Z						
≤3.0mm	≤L	≤T						
	<p>(3) LCD crack</p>	 <p>Crack Not allowed</p>						



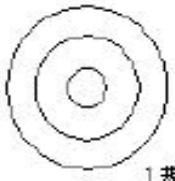


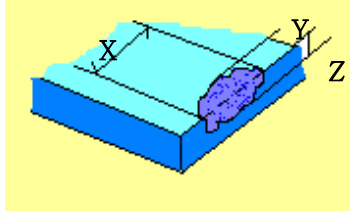


Number	Items	Criteria (mm)																											
2.0	Spot defect  $\Phi = (X+Y)/2$	① light dot (LCD/TP/Polarizer black/white spot , light dot, pinhole, dent, stain)																											
		<table border="1"> <thead> <tr> <th rowspan="2">Zone Size (mm)</th> <th colspan="3">Acceptable Qty</th> </tr> <tr> <th>A</th> <th>B</th> <th>C</th> </tr> </thead> <tbody> <tr> <td><math>\Phi \leq 0.30</math></td> <td colspan="3">Ignore</td> </tr> <tr> <td><math>0.20 &lt; \Phi \leq 0.3</math></td> <td colspan="3">3( distance <math>\geq 10\text{mm}</math>)</td> </tr> <tr> <td><math>0.25 &lt; \Phi \leq 0.35</math></td> <td colspan="3">2</td> </tr> <tr> <td><math>\Phi &gt; 0.4</math></td> <td colspan="3">0</td> </tr> </tbody> </table>	Zone Size (mm)	Acceptable Qty			A	B	C	$\Phi \leq 0.30$	Ignore			$0.20 < \Phi \leq 0.3$	3( distance $\geq 10\text{mm}$ )			$0.25 < \Phi \leq 0.35$	2			$\Phi > 0.4$	0						
		Zone Size (mm)		Acceptable Qty																									
			A	B	C																								
		$\Phi \leq 0.30$	Ignore																										
		$0.20 < \Phi \leq 0.3$	3( distance $\geq 10\text{mm}$ )																										
		$0.25 < \Phi \leq 0.35$	2																										
		$\Phi > 0.4$	0																										
		② Dim spot (LCD/TP/Polarizer dim dot, light leakage, dark spot)																											
		<table border="1"> <thead> <tr> <th rowspan="2">Zone Size (mm)</th> <th colspan="3">Acceptable Qty</th> </tr> <tr> <th>A</th> <th>B</th> <th>C</th> </tr> </thead> <tbody> <tr> <td><math>\Phi \leq 0.3</math></td> <td colspan="3">Ignore</td> </tr> <tr> <td><math>0.2 &lt; \Phi \leq 0.3</math></td> <td colspan="3">3( distance <math>\geq 10\text{mm}</math>)</td> </tr> <tr> <td><math>0.25 &lt; \Phi \leq 0.35</math></td> <td colspan="3">2</td> </tr> <tr> <td><math>\Phi &gt; 0.4</math></td> <td colspan="3">0</td> </tr> </tbody> </table>	Zone Size (mm)	Acceptable Qty			A	B	C	$\Phi \leq 0.3$	Ignore			$0.2 < \Phi \leq 0.3$	3( distance $\geq 10\text{mm}$ )			$0.25 < \Phi \leq 0.35$	2			$\Phi > 0.4$	0						
Zone Size (mm)	Acceptable Qty																												
	A	B	C																										
$\Phi \leq 0.3$	Ignore																												
$0.2 < \Phi \leq 0.3$	3( distance $\geq 10\text{mm}$ )																												
$0.25 < \Phi \leq 0.35$	2																												
$\Phi > 0.4$	0																												
③ Polarizer accidented spot																													
<table border="1"> <thead> <tr> <th rowspan="2">Zone Size (mm)</th> <th colspan="3">Acceptable Qty</th> </tr> <tr> <th>A</th> <th>B</th> <th>C</th> </tr> </thead> <tbody> <tr> <td><math>\Phi \leq 0.3</math></td> <td colspan="3">Ignore</td> </tr> <tr> <td><math>0.25 &lt; \Phi \leq 0.5</math></td> <td colspan="3">2( distance <math>\geq 10\text{mm}</math>)</td> </tr> <tr> <td><math>\Phi &gt; 0.5</math></td> <td colspan="3">0</td> </tr> </tbody> </table>	Zone Size (mm)	Acceptable Qty			A	B	C	$\Phi \leq 0.3$	Ignore			$0.25 < \Phi \leq 0.5$	2( distance $\geq 10\text{mm}$ )			$\Phi > 0.5$	0												
Zone Size (mm)		Acceptable Qty																											
	A	B	C																										
$\Phi \leq 0.3$	Ignore																												
$0.25 < \Phi \leq 0.5$	2( distance $\geq 10\text{mm}$ )																												
$\Phi > 0.5$	0																												
Line defect (LCD/TP /Polarizer black/white line, scratch, stain)	<table border="1"> <thead> <tr> <th rowspan="2">Width(mm)</th> <th rowspan="2">Length(mm)</th> <th colspan="3">Acceptable Qty</th> </tr> <tr> <th>A</th> <th>B</th> <th>C</th> </tr> </thead> <tbody> <tr> <td><math>\Phi \leq 0.05</math></td> <td>Ignore</td> <td colspan="3">Ignore</td> </tr> <tr> <td><math>0.04 &lt; W \leq 0.07</math></td> <td><math>L \leq 3.0</math></td> <td colspan="3">N<math>\leq 2</math></td> </tr> <tr> <td><math>0.06 &lt; W \leq 0.09</math></td> <td><math>L \leq 2.0</math></td> <td colspan="3">N<math>\leq 2</math></td> </tr> <tr> <td><math>0.09 &lt; W</math></td> <td colspan="4">Define as spot defect</td> </tr> </tbody> </table>	Width(mm)	Length(mm)	Acceptable Qty			A	B	C	$\Phi \leq 0.05$	Ignore	Ignore			$0.04 < W \leq 0.07$	$L \leq 3.0$	N $\leq 2$			$0.06 < W \leq 0.09$	$L \leq 2.0$	N $\leq 2$			$0.09 < W$	Define as spot defect			
Width(mm)	Length(mm)			Acceptable Qty																									
		A	B	C																									
$\Phi \leq 0.05$	Ignore	Ignore																											
$0.04 < W \leq 0.07$	$L \leq 3.0$	N $\leq 2$																											
$0.06 < W \leq 0.09$	$L \leq 2.0$	N $\leq 2$																											
$0.09 < W$	Define as spot defect																												



3.0	Polarizer Bubble	<table border="1"> <tr> <th rowspan="2">Zone Size (mm)</th> <th colspan="3">Acceptable Qty</th> </tr> <tr> <th>A</th> <th>B</th> <th>C</th> </tr> <tr> <td><math>\Phi \leq 0.2</math></td> <td colspan="3">Ignore</td> </tr> <tr> <td><math>0.2 &lt; \Phi \leq 0.4</math></td> <td colspan="3">3 (distance <math>\geq 10</math> m)</td> </tr> <tr> <td><math>0.4 &lt; \Phi \leq 0.6</math></td> <td colspan="3">2</td> </tr> <tr> <td><math>0.6 &lt; \Phi</math></td> <td colspan="3">0</td> </tr> </table>			Zone Size (mm)	Acceptable Qty			A	B	C	$\Phi \leq 0.2$	Ignore			$0.2 < \Phi \leq 0.4$	3 (distance $\geq 10$ m)			$0.4 < \Phi \leq 0.6$	2			$0.6 < \Phi$	0		
		Zone Size (mm)	Acceptable Qty																								
			A	B	C																						
		$\Phi \leq 0.2$	Ignore																								
		$0.2 < \Phi \leq 0.4$	3 (distance $\geq 10$ m)																								
$0.4 < \Phi \leq 0.6$	2																										
$0.6 < \Phi$	0																										
4.0	SMT	According to IPC-A-610C class II standard . Function defect and missing part are major defect ,the others are minor defect.																									
		TP bubble/ accidented spot	<table border="1"> <tr> <th rowspan="2">Size <math>\Phi</math>(mm)</th> <th colspan="3">Acceptable Qty</th> </tr> <tr> <th>A</th> <th>B</th> <th>C</th> </tr> <tr> <td><math>\Phi \leq 0.3</math></td> <td colspan="3">Ignore</td> </tr> <tr> <td><math>0.25 &lt; \Phi \leq 0.3</math></td> <td colspan="3">3 (distance <math>\geq</math></td> </tr> <tr> <td><math>0.25 &lt; \Phi \leq 0.35</math></td> <td colspan="3">2</td> </tr> <tr> <td><math>0.4 &lt; \Phi</math></td> <td colspan="3">0</td> </tr> </table>			Size $\Phi$ (mm)	Acceptable Qty			A	B	C	$\Phi \leq 0.3$	Ignore			$0.25 < \Phi \leq 0.3$	3 (distance $\geq$			$0.25 < \Phi \leq 0.35$	2			$0.4 < \Phi$	0	
Size $\Phi$ (mm)	Acceptable Qty																										
	A		B	C																							
$\Phi \leq 0.3$	Ignore																										
$0.25 < \Phi \leq 0.3$	3 (distance $\geq$																										
$0.25 < \Phi \leq 0.35$	2																										
$0.4 < \Phi$	0																										
	Assembly deflection	beyond the edge of backlight $\leq 0.15$ mm																									



5.0	TP Related	Newton Ring	Newton Ring area > 1/3 TP area NG			 1 规律性  2 非规律性  似牛顿环		
			Newton Ring area ≤ 1/3 TP area OK					
			TP corner broken X : length Y : width Z : height	<table border="1"> <tr> <td>X</td> <td>Y</td> <td>Z</td> </tr> <tr> <td>X ≤ 3.0mm</td> <td>Y ≤ 3.0mm</td> <td>Z &lt; LCD thicknes</td> </tr> </table>	X		Y	Z
X	Y	Z						
X ≤ 3.0mm	Y ≤ 3.0mm	Z < LCD thicknes						
TP edge broken X : length Y : width Z : height	<table border="1"> <tr> <td>X</td> <td>Y</td> <td>Z</td> </tr> <tr> <td>X ≤ 6.0mm</td> <td>Y ≤ 2.0mm</td> <td>Z &lt; LCD thicknes</td> </tr> </table>	X	Y	Z	X ≤ 6.0mm	Y ≤ 2.0mm	Z < LCD thicknes	
X	Y	Z						
X ≤ 6.0mm	Y ≤ 2.0mm	Z < LCD thicknes						

Criteria ( functional items)

Number	Items	Criteria (mm)
1	No display	Not allowed
2	Missing segment	Not allowed
3	Short	Not allowed
4	Backlight no lighting	Not allowed
5	TP no function	Not allowed



# Reliability Test Result

## Condition

Item	Condition	Sample Size	Test Result	Note
Low Temperature Operating Life test	-30°C, 96HR	3ea	pass	-
Thermal Humidity Operating Life test	85°C90%RH, 96HR	3ea	pass	-
Temperature Cycle ON/OFF test	-30°C ↔ 85°C, ON/OFF, 20CYC	3ea	pass	(1)
High Temperature Storage test	90°C, 96HR	3ea	pass	-
Low Temperature Storage test	-40°C, 96HR	3ea	pass	-
ESD test	150pF, 330Ω , ±6KV(Contact)/± 8KV(Air), 5 points/panel, 10 times/point	3ea	pass	
Thermal Shock Resistance	The sample should be allowed to stand the following 5 cycles of operation: TSTL for 30 minutes -> normal temperature for 5 minutes -> TSTH for 30 minutes -> normal temperature for 5 minutes, as one cycle, then taking it out and drying it at normal temperature, and allowing it stand for 24 hours	3ea	pass	
Box Drop Test	1 Corner 3 Edges 6 faces, 66cm(MEDIUM BOX)	1box	pass	-

Note (1) ON Time over 10 seconds, OFF Time under 10 seconds



# Cautions and Handling Precautions

## Handling and Operating the Module

(1) When the module is assembled, it should be attached to the system firmly.

Do not warp or twist the module during assembly work.

(2) Protect the module from physical shock or any force. In addition to damage, this may cause improper operation or damage to the module and back-light unit.

(3) Note that polarizer is very fragile and could be easily damaged. Do not press or scratch the surface.

(4) Do not allow drops of water or chemicals to remain on the display surface.

If you have the droplets for a long time, staining and discoloration may occur.

(5) If the surface of the polarizer is dirty, clean it using some absorbent cotton or soft cloth.

(6) The desirable cleaners are water, IPA (Isopropyl Alcohol) or Hexane.

Do not use ketene type materials (ex. Acetone), Ethyl alcohol, Toluene, Ethyl acid or Methyl chloride. It might permanent damage to the polarizer due to chemical reaction.

(7) If the liquid crystal material leaks from the panel, it should be kept away from the eyes or mouth. In case of contact with hands, legs, or clothes, it must be washed away thoroughly with soap.

(8) Protect the module from static; it may cause damage to the CMOS ICs.

(9) Use finger-stalls with soft gloves in order to keep display clean during the incoming inspection and assembly process.

(10) Do not disassemble the module.

(11) Protection film for polarizer on the module shall be slowly peeled off just before use so that the electrostatic charge can be minimized.

(12) Pins of I/F connector shall not be touched directly with bare hands.

(13) Do not connect, disconnect the module in the "Power ON" condition.

(14) Power supply should always be turned on/off by the item 6.1 Power On Sequence & 6.2 Power Off Sequence

## Storage and Transportation.

(1) Do not leave the panel in high temperature, and high humidity for a long time.

It is highly recommended to store the module with temperature from 0 to 35 °C and relative humidity of less than 70%

(2) Do not store the TFT-LCD module in direct sunlight.

(3) The module shall be stored in a dark place. When storing the modules for a long time, be sure to adopt effective measures for protecting the modules from strong ultraviolet radiation, sunlight, or fluorescent light.

(4) It is recommended that the modules should be stored under a condition where no condensation is allowed. Formation of dewdrops may cause an abnormal operation or a failure of the module.

In particular, the greatest possible care should be taken to prevent any module from being operated where condensation has occurred inside.

(5) This panel has its circuitry FPC on the bottom side and should be handled carefully in order not to be stressed.

