

DAC8534 Evaluation Module

User's Guide

IMPORTANT NOTICE

Texas Instruments Incorporated and its subsidiaries (TI) reserve the right to make corrections, modifications, enhancements, improvements, and other changes to its products and services at any time and to discontinue any product or service without notice. Customers should obtain the latest relevant information before placing orders and should verify that such information is current and complete. All products are sold subject to TI's terms and conditions of sale supplied at the time of order acknowledgment.

TI warrants performance of its hardware products to the specifications applicable at the time of sale in accordance with TI's standard warranty. Testing and other quality control techniques are used to the extent TI deems necessary to support this warranty. Except where mandated by government requirements, testing of all parameters of each product is not necessarily performed.

TI assumes no liability for applications assistance or customer product design. Customers are responsible for their products and applications using TI components. To minimize the risks associated with customer products and applications, customers should provide adequate design and operating safeguards.

TI does not warrant or represent that any license, either express or implied, is granted under any TI patent right, copyright, mask work right, or other TI intellectual property right relating to any combination, machine, or process in which TI products or services are used. Information published by TI regarding third-party products or services does not constitute a license from TI to use such products or services or a warranty or endorsement thereof. Use of such information may require a license from a third party under the patents or other intellectual property of the third party, or a license from TI under the patents or other intellectual property of TI.

Reproduction of information in TI data books or data sheets is permissible only if reproduction is without alteration and is accompanied by all associated warranties, conditions, limitations, and notices. Reproduction of this information with alteration is an unfair and deceptive business practice. TI is not responsible or liable for such altered documentation.

Resale of TI products or services with statements different from or beyond the parameters stated by TI for that product or service voids all express and any implied warranties for the associated TI product or service and is an unfair and deceptive business practice. TI is not responsible or liable for any such statements.

Following are URLs where you can obtain information on other Texas Instruments products & application solutions:

Products		Applications	
Amplifiers	amplifier.ti.com	Audio	www.ti.com/audio
Data Converters	dataconverter.ti.com	Automotive	www.ti.com/automotive
DSP	dsp.ti.com	Broadband	www.ti.com/broadband
Interface	interface.ti.com	Digital Control	www.ti.com/digitalcontrol
Logic	logic.ti.com	Military	www.ti.com/military
Power Mgmt	power.ti.com	Optical Networking	www.ti.com/opticalnetwork
Microcontrollers	microcontroller.ti.com	Security	www.ti.com/security
		Telephony	www.ti.com/telephony
		Video & Imaging	www.ti.com/video
		Wireless	www.ti.com/wireless

Mailing Address: Texas Instruments
Post Office Box 655303 Dallas, Texas 75265

EVM IMPORTANT NOTICE

Texas Instruments (TI) provides the enclosed product(s) under the following conditions:

This evaluation kit being sold by TI is intended for use for **ENGINEERING DEVELOPMENT OR EVALUATION PURPOSES ONLY** and is not considered by TI to be fit for commercial use. As such, the goods being provided may not be complete in terms of required design-, marketing-, and/or manufacturing-related protective considerations, including product safety measures typically found in the end product incorporating the goods. As a prototype, this product does not fall within the scope of the European Union directive on electromagnetic compatibility and therefore may not meet the technical requirements of the directive.

Should this evaluation kit not meet the specifications indicated in the EVM User's Guide, the kit may be returned within 30 days from the date of delivery for a full refund. **THE FOREGOING WARRANTY IS THE EXCLUSIVE WARRANTY MADE BY SELLER TO BUYER AND IS IN LIEU OF ALL OTHER WARRANTIES, EXPRESSED, IMPLIED, OR STATUTORY, INCLUDING ANY WARRANTY OF MERCHANTABILITY OR FITNESS FOR ANY PARTICULAR PURPOSE.**

The user assumes all responsibility and liability for proper and safe handling of the goods. Further, the user indemnifies TI from all claims arising from the handling or use of the goods. Please be aware that the products received may not be regulatory compliant or agency certified (FCC, UL, CE, etc.). Due to the open construction of the product, it is the user's responsibility to take any and all appropriate precautions with regard to electrostatic discharge.

EXCEPT TO THE EXTENT OF THE INDEMNITY SET FORTH ABOVE, NEITHER PARTY SHALL BE LIABLE TO THE OTHER FOR ANY INDIRECT, SPECIAL, INCIDENTAL, OR CONSEQUENTIAL DAMAGES.

TI currently deals with a variety of customers for products, and therefore our arrangement with the user **is not exclusive**.

TI assumes **no liability for applications assistance, customer product design, software performance, or infringement of patents or services described herein**.

Please read the EVM User's Guide and, specifically, the EVM Warnings and Restrictions notice in the EVM User's Guide prior to handling the product. This notice contains important safety information about temperatures and voltages. For further safety concerns, please contact the TI application engineer.

Persons handling the product must have electronics training and observe good laboratory practice standards.

No license is granted under any patent right or other intellectual property right of TI covering or relating to any machine, process, or combination in which such TI products or services might be or are used.

Mailing Address:

Texas Instruments
Post Office Box 655303
Dallas, Texas 75265

EVM WARNINGS AND RESTRICTIONS

It is important to operate this EVM within the specified input and output ranges described in the EVM User's Guide.

Exceeding the specified input range may cause unexpected operation and/or irreversible damage to the EVM. If there are questions concerning the input range, please contact a TI field representative prior to connecting the input power.

Applying loads outside of the specified output range may result in unintended operation and/or possible permanent damage to the EVM. Please consult the EVM User's Guide prior to connecting any load to the EVM output. If there is uncertainty as to the load specification, please contact a TI field representative.

During normal operation, some circuit components may have case temperatures greater than 60°C. The EVM is designed to operate properly with certain components above 60°C as long as the input and output ranges are maintained. These components include but are not limited to linear regulators, switching transistors, pass transistors, and current sense resistors. These types of devices can be identified using the EVM schematic located in the EVM User's Guide. When placing measurement probes near these devices during operation, please be aware that these devices may be very warm to the touch.

Mailing Address:

Texas Instruments
Post Office Box 655303
Dallas, Texas 75265

Read This First

About This Manual

This user's guide describes the characteristics, operation, and the use of the DAC8534 Evaluation Module. It covers all pertinent areas involved to properly use this EVM board along with the devices that it supports. The physical PCB layout, schematic diagram and circuit descriptions are included.

How to Use This Manual

This document contains the following chapters:

Chapter 1 – EVM Overview

Chapter 2 – PCB Design and Performance

Chapter 3 – EVM Operation

Information About Cautions and Warnings

This book may contain cautions and warnings.

This is an example of a caution statement.

A caution statement describes a situation that could potentially damage your software or equipment.

This is an example of a warning statement.

A warning statement describes a situation that could potentially cause harm to you.

The information in a caution or a warning is provided for your protection. Please read each caution and warning carefully.

Related Documentation From Texas Instruments

To obtain a copy of any of the following TI documents, call the Texas Instruments Literature Response Center at (800) 477-8924 or the Product Information Center (PIC) at (972) 644-5580. When ordering, identify this manual by its title and literature number. Updated documents can also be obtained through our website at www.ti.com.

Data Sheets:	Literature Number:
DAC8534	SBAS254
REF02	SBVS-003A
OPA627	PDS-998H
OPA2132	PDS-1309B

Questions about this or other Data Converter EMV's?

If you have questions about this or other Texas Instruments Data Converter evaluation modules, please feel free to e-mail the Data Converter Application Team at dataconvapps@list.ti.com. Include in the subject heading the product you have questions or concerns with.

FCC Warning

This equipment is intended for use in a laboratory test environment only. It generates, uses, and can radiate radio frequency energy and has not been tested for compliance with the limits of computing devices pursuant to subpart J of part 15 of FCC rules, which are designed to provide reasonable protection against radio frequency interference. Operation of this equipment in other environments may cause interference with radio communications, in which case the user at his own expense will be required to take whatever measures may be required to correct this interference.

Trademarks

The TI Logo is a trademark of Texas Instruments. SPI and QSPI are trademarks of Motorola, Inc.

Contents

1	EVM Overview	1-1
1.1	Features	1-2
1.2	Power Requirements	1-2
1.2.1	Supply Voltage	1-2
1.2.2	Reference Voltage	1-2
1.3	EVM Basic Functions	1-3
2	PCB Design and Performance	2-1
2.1	PCB Layout	2-2
2.2	EVM Performance	2-3
2.3	Bill of Materials	2-4
3	EVM Operation	3-1
3.1	Factory Default Setting	3-2
3.2	Host Processor Interface	3-2
3.3	EVM Stacking	3-3
3.4	The Output Op Amp	3-3
3.4.1	Unity Gain Output	3-4
3.4.2	Output Gain of Two	3-4
3.4.3	Capacitive Load Drive	3-4
3.5	Optional Signal Conditioning Op Amp (U8B)	3-5
3.6	Jumper Setting	3-6
3.7	Schematic	3-8

Figures

1-1	EVM Block Diagram	1-4
2-1	Top Silkscreen	2-2
2-2	Layer 1 (Top Signal Plane)	2-2
2-3	Layer Two (Ground Plane)	2-2
2-4	Layer 3 (Power Plane)	2-2
2-5	Layer 4 (Bottom Signal Plane)	2-2
2-6	Bottom Silkscreen	2-2
2-7	Drill Drawing	2-2

Tables

2-1	Parts List	2-4
3-1	Factory Default Jumper Setting	3-2
3-2	DAC Output Channel Mapping	3-3
3-3	Unity Gain Output Jumper Settings	3-4
3-4	Gain of Two Output Jumper Settings	3-4
3-5	Capacitive Load Drive Output Jumper Settings	3-5
3-6	Jumper Setting Function	3-6

EVM Overview

This chapter gives a general overview of the DAC8534 evaluation module (EVM), and describes some of the factors that must be considered in using this module.

Topic	Page
1.1 Features	1-2
1.2 Power Requirements	1-2
1.3 EVM Basic Functions	1-3

1.1 Features

This EVM features the DAC8534 digital-to-analog converter. The DAC8534 EVM is a simple evaluation module designed for a quick and easy way to evaluate the functionality and performance of the high resolution, quad-channel, and serial input DAC. This EVM features a serial interface to communicate with any host microprocessor or TI DSP-based system.

1.2 Power Requirements

The following sections describe the power requirements of this EVM.

1.2.1 Supply Voltage

The DC power supply requirement for the digital section (V_{DD}) of this EVM is typically 5 V connected to the J5-1, or via J6-10 terminal (when plugged in with another EVM board or interface card) and is referenced to ground through the J5-2 and J6-5 terminal. The DC power supply requirements for the analog section of this EVM are as follows: the V_{CC} and V_{SS} ranges from 15.75 V to -15.75V maximum and connects through J1-3 and J1-1 respectively, or through J6-1 and J6-2 terminals. The 5 VA connects through J5-3 or J6-3 and the 3.3 VA connects through J6-8. All of the analog power supplies are referenced to analog ground through J1-2 and J6-6 terminals.

The device under test (U1), can be powered by connecting an analog power supply at terminal 5 VA or 3.3 VA and selecting the proper position of jumper W1. This allows the DAC8534 analog section to operate from either supply power, while the I/O and digital section is powered by 5 V, V_{DD} .

The V_{CC} supply source is mainly used to provide the positive rail of the external output op amp U2, the reference chip U3, and the reference buffer U8. The negative rail of the output op amp U2 can be selected between V_{SS} and AGND via W5 jumper. The external op amp is installed as an option to provide output signal conditioning, or boost capacitive load drive and for other output mode requirement desired.

CAUTION

To avoid potential damage to the EVM board, make sure that the correct cables are connected to their respective terminals as labeled on the EVM board.

Stresses above the maximum listed voltage ratings may cause permanent damage to the device.

1.2.2 Reference Voltage

The 5 V precision voltage reference is provided to supply the external voltage reference for the DAC through U3 (REF02), via jumper W4 by shorting pins 1 and 2. The reference voltage goes through an adjustable 100-K Ω potentiometer R11, in series with 20-k Ω R10, to allow the user to adjust the reference voltage to its desired settings. The voltage reference is then

buffered through U8A as seen by the device under test. The test points TP1, TP2, and TP5 are also provided, as well as J4-18 and J4-20, to allow the user to connect an external reference source, if the onboard reference circuit is not desired. The external voltage reference should not exceed 5-V DC.

The REF02 precision reference is powered by V_{CC} (15 V) through J1-3 or J6-1 terminal.

CAUTION

When applying an external voltage reference through TP1 or J4-20, make sure that it does not exceed 5 V maximum. Otherwise, this can permanently damage the DAC8434, U1, device under test.

1.3 EVM Basic Functions

The DAC8534 EVM is designed primarily as a functional evaluation platform to test certain functional characteristics of the DAC8534 digital-to-analog converter. Functional evaluation of the DAC device can be accomplished with the use of any microprocessor, TI DSP or some sort of a waveform generator.

The headers J2 and P2 are the connectors provided to allow the control signals and data required to interface a host processor or waveform generator to the DAC8534 EVM using a custom built cable.

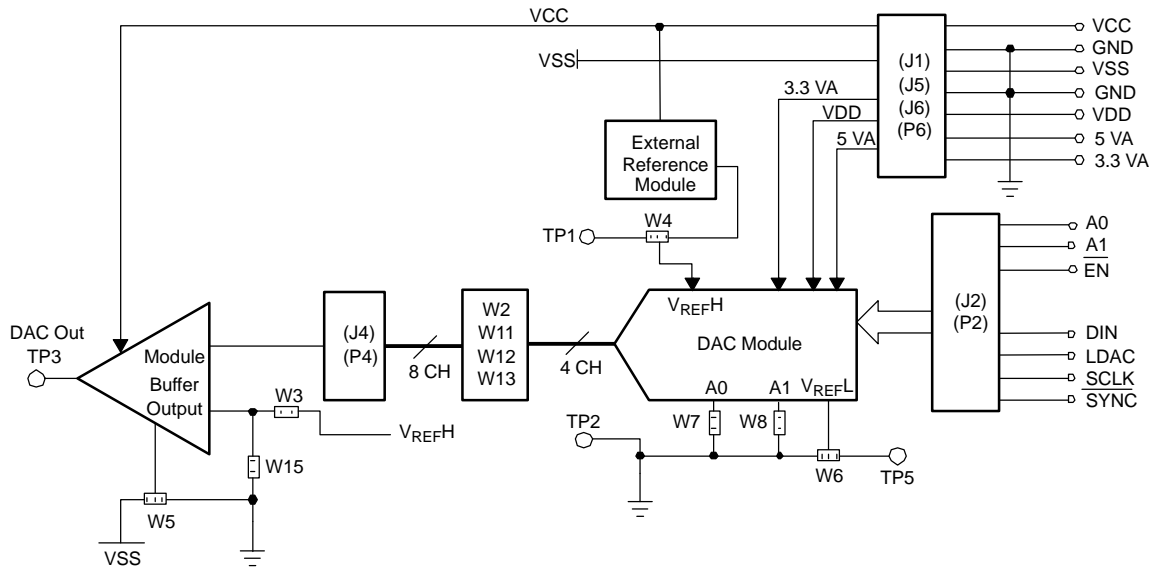
A specific adapter interface card is also available for most of TI's DSP starter kits (DSK)—card models depend on the type of TI DSP starter kit. Therefore, when requesting an adapter interface card be sure to specify the DSP in use. In addition, a motherboard platform that is MSP430-microprocessor-based can interface to this EVM, and is available. For more details or information regarding the adapter interface card, or the MSP430 motherboard platform, call Texas Instruments Inc. or e-mail us at dataconvapps@list.ti.com.

J4 allows for stacking EVMs and DAC output monitoring through selected header pins. Stacking allows a total of eight DAC channels to be used, provided the enable signals (\overline{EN}) are unique to each EVM board stacked. All outputs can be switched through their respective jumpers W2, W11, W12, and W13.

In addition, the option of selecting one DAC output to be fed to the noninverting side of the output op amp U2 is also possible by using a jumper across the selected pins of J4. U2 must be first configured correctly for the desired waveform characteristic—refer to Chapter 3 of this user's guide.

A block diagram of the EVM is shown in the Figure 1-1.

Figure 1-1. EVM Block Diagram



PCB Design and Performance

This chapter describes the layout design and mechanical characteristics of the PCB, as well as a brief description of the EVM test performance procedure. The EVM bill of materials is also included in this section.

Topic	Page
2.1 PC Layout	2-2
2.2 EVM Performance	2-
2.3 Bill of Materials	2-

2.1 PCB Layout

The DAC8534EVM is designed to preserve the performance quality of the DAC device under test, as specified in the datasheet. Carefully analyzing the EVM's physical restrictions and the given or known elements that contribute to the EVM's performance degradation is the key to a successful design implementation. The obvious attributes, that diminish the performance of the EVM, can be taken care of during the schematic design phase by properly selecting the right components, and building the circuit correctly. The circuit design phase should include adequate bypassing, identifying and managing the analog and digital signals, and a knowledge or understanding of the mechanical attributes of individual components.

An obscure part of the design phase is the layout process, where lack of knowledge and inexperience can easily present a problem. The main concern here is primarily with the placement of components and the proper routing of signals. The bypass capacitors should be placed as close as possible to the pins and the analog and digital signals should be properly separated from each other. The power and ground plane is very important and should be carefully considered in the layout process. A solid plane is ideally preferred but sometimes impractical, so when solid planes are not possible, a split plane does the job as well. When considering a split plane design, analyze the component placement and carefully split the board into its analog and digital sections starting from the device under test. The ground plane plays an important role in controlling the noise and other effects that otherwise contribute to the error of the DAC output. To ensure that the return currents are handled properly, route the appropriate signals only in their respective sections, meaning the analog traces should only lay directly above or below the analog section and the digital traces in the digital section. Minimize the length of the traces but using the largest possible trace width allowable in the design. Good design practice is seen in the layout figures in this chapter.

The DAC8534EVM board is constructed on a four-layer printed circuit board using a copper-clad FR-4 laminate material. The printed circuit board has a dimension of 43,180 mm (1.7 inch) \times 82,550 mm (3.25 inch), and the board thickness is 1,5748 mm (0.062 inch). Figures 2 through 6 show the individual artwork layers.

Figure 2-1. Top Silkscreen

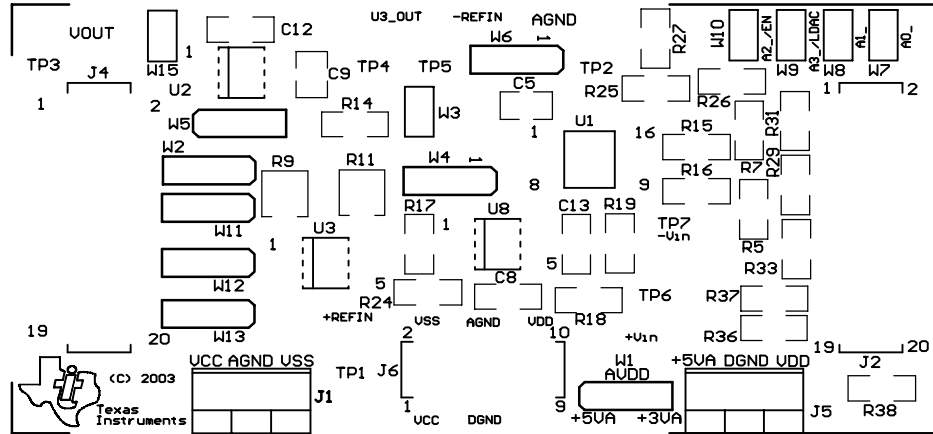


Figure 2-2. Layer 1 (Top Signal Plane)

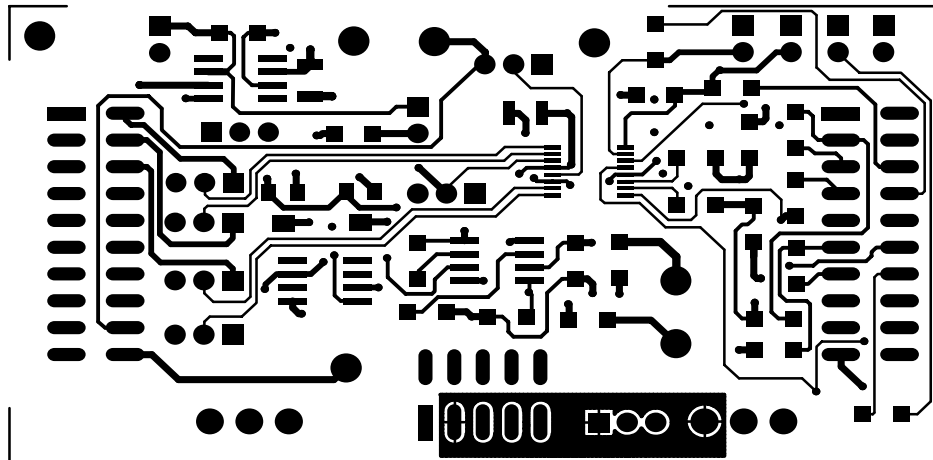


Figure 2-3. Layer Two (Ground Plane)

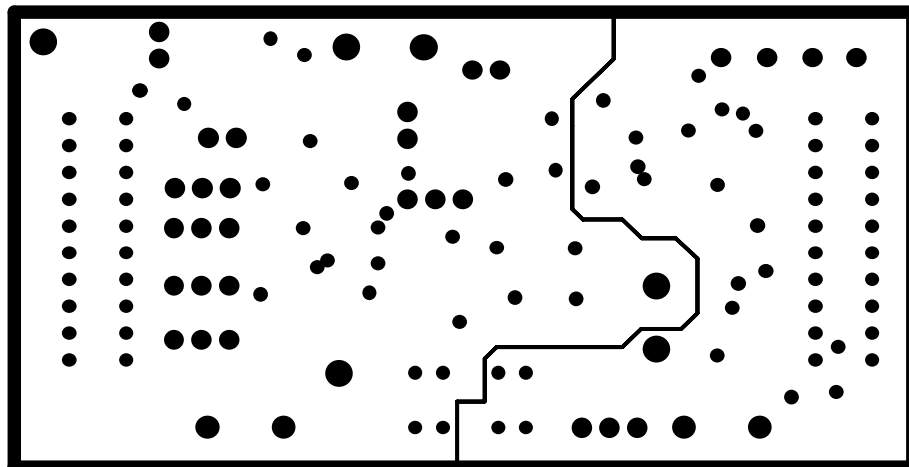


Figure 2-4. Layer 3 (Power Plane)

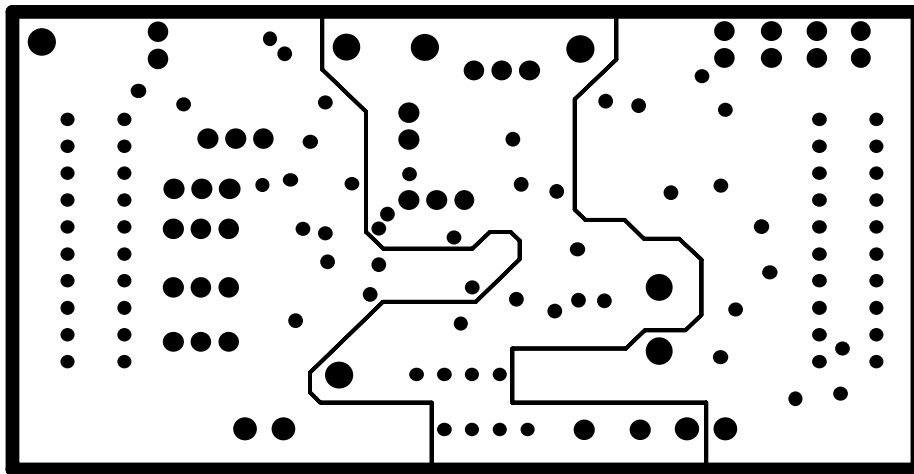


Figure 2-5. Layer 4 (Bottom Signal Plane)

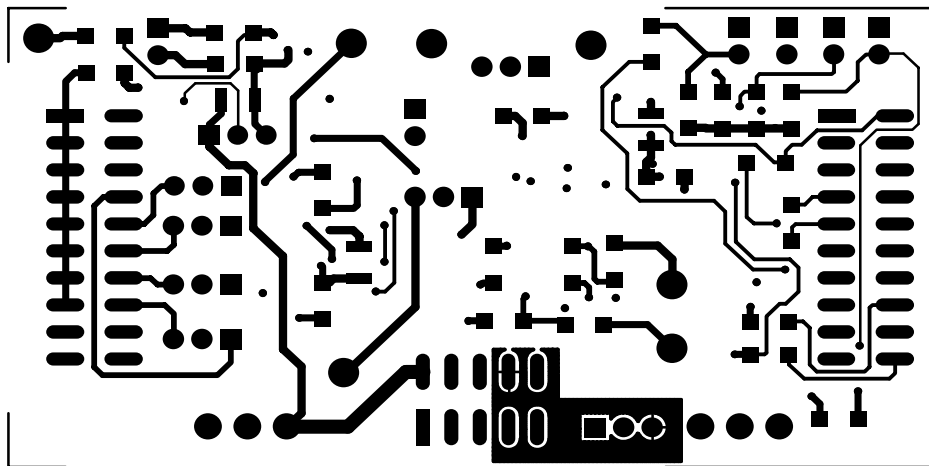


Figure 2-6. Bottom Silkscreen

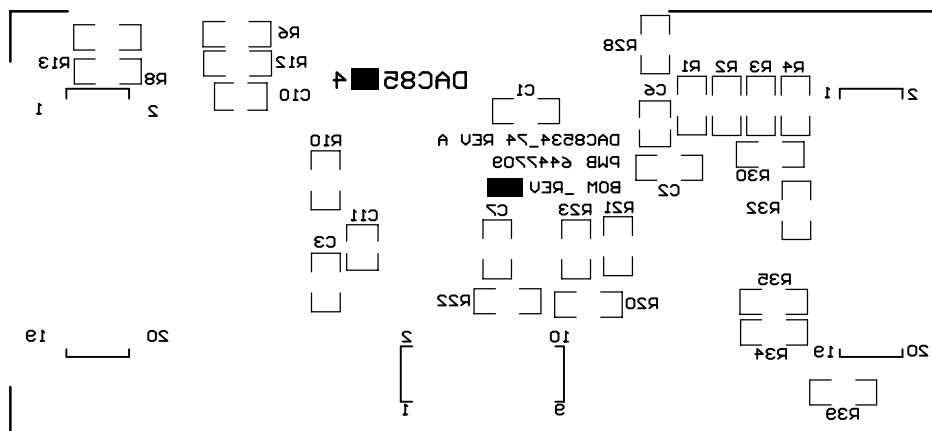
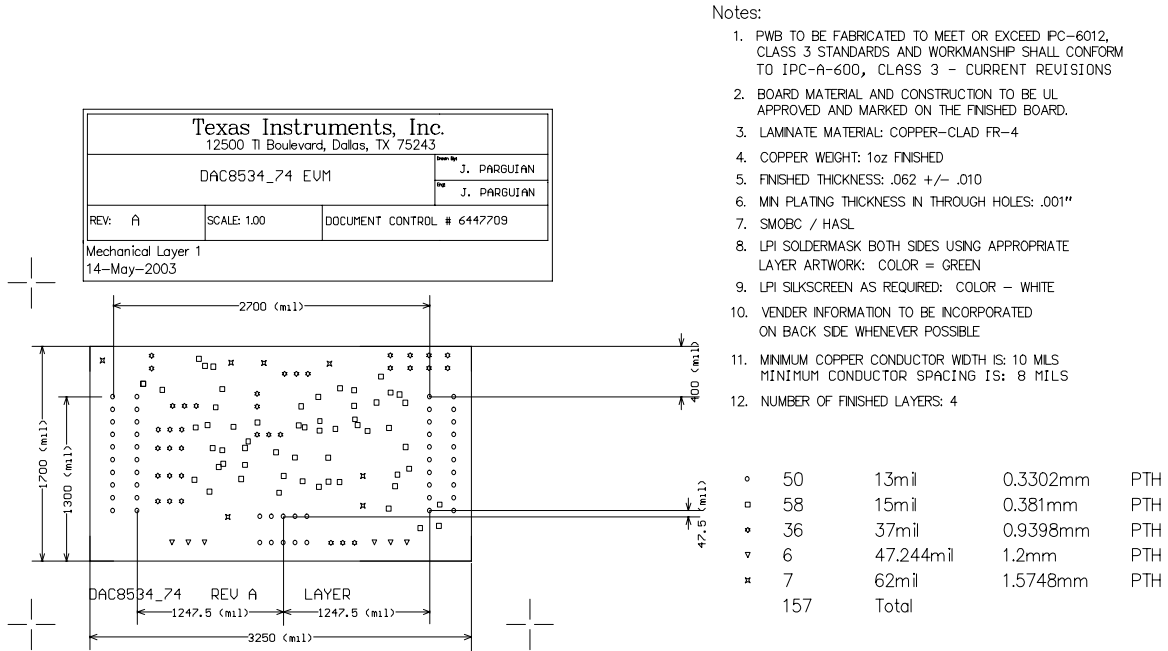


Figure 2-7. Drill Drawing



2.2 EVM Performance

The EVM performance test is conducted using a high density DAC bench test board, an Agilent 3458A digital multimeter, and a PC running the LABVIEW software. The EVM board is tested for all codes of 65535, and the device under test (DUT) is allowed to settle for 1ms before the meter is read. This process is repeated for all codes to generate the measurements for INL and DNL.

2.3 Bill of Materials

Table 2 - 1. Parts List

Item #	Qty	Designator	Manufacturer	Part Number	Description
1	2	C9, C10	Panasonic	ECUV1H105JCH	1 μ F, 1206 Multilayer ceramic capacitor
2	4	C1, C2, C3, C7	Panasonic	ECJ3VB1C104K	0.1 μ F, 1206 Multilayer ceramic capacitor
3	1	C12	Panasonic	ECUV1H102JCH	1 nF, 1206 Multilayer ceramic capacitor
4	3	C5, C6, C11	Kemet	C1210C106K8PAC	1 0 μ F, 1210 Multilayer ceramic X5R capacitor
5	19	R8, R15, R16, R17, R25, R26, R27, R28, R29, R30, R31, R32, R33, R34, R35, R36, R37, R38, R39	Panasonic	ERJ-8GEY0R00V	0 Ω , 1/4W 1206 Chip resistor
6	1	R13	Panasonic	ERJ-8GEYJ101V	100 Ω , 1/4W 1206 Chip resistor
7	1	R10	Panasonic	ERJ-8ENF2002V	20 k Ω , 1/4W 1206 Chip resistor
8	7	R1, R2, R3, R4, R6, R12, R14	Panasonic	ERJ-8ENF1002V	10 k Ω , 1/4W 1206 Chip resistor
9	1	R9	Bourns	3214W-203E	20 k Ω , BOURNS_32X4W Series 5T Pot
10	1	R11	Bourns	3214W-104E	100 k Ω , BOURNS_32X4W Series 5T Pot
11	1	R3	Panasonic	ERJ-8GEYJ104V	100 k Ω , 1/4W 1206 Chip resistor
12	1	J6	Samtec	TSM-105-01-T-DV	5X2X0.1 10-pin 3A isolated power socket
13	2	J2, J4	Samtec	TSM-110-01-S-DV-M	10X2X.1, 20 Pin 0.025"sq SMT socket
14	2	J1, J5	On-Shore Technology	ED555/3DS	3-Pin terminal connector
15	1	U1	Texas Instruments	DAC8534IPW	16-bit, Quad voltage output, serial input DAC, TSSOP-16
16	1	U2	Texas Instruments	OPA627AU	8-SOP(D) Precision Op Amp
17	1	U3	Texas Instruments	REF02AU	5 V, 8-SOP(D) precision voltage reference
18	1	U8	Texas Instruments	OPA2132UA	8-SOP(D) Dual precision op amp
19	7	TP1, TP2, TP3, TP4, TP5, TP6 TP7	Mill-max	2348-2-01-00-00-07-0	Turret terminal test point
20	2	P2, P4 (see Note)	Samtec	SSW-110-22-S-D-VS-P	20PIN .025"sq SMT terminal strips
21	1	P6 (see Note)	Samtec	SSW-105-F-D-VS-K	3A Isolated 10-pin power header
22	6	W3, W7, W8, W9, W10, W15	Molex	22-03-2021	2 Position Jumper_ 0.1" spacing
23	8	W1, W2, W4, W5, W6, W11, W12, W13	Molex	22-03-2031	3 Position Jumper_ 0.1" spacing

Note: P2, P4 & P6 parts are not shown in the schematic diagram. All the P-designated parts are installed on the bottom side of the PC Board, opposite the J-designated counterpart. Example, J2 is installed on the topside while P2 is installed on the bottom side, opposite of J2.

EVM Operation

This chapter covers in detail the operation of the EVM to provide guidance to the user in evaluating the onboard DAC, and how to interface the EVM to a specific host processor.

Refer to the DAC8534 data sheet (SBAS254), for information about its serial interface and other related topics.

The EVM board is factory tested and configured to operate in the bipolar output mode.

Topic	Page
3.1 Factory Default Setting	3-2
3.2 Host Processor Interface	3-2
3.3 EVM Stacking	3-3
3.4 The Output Op Amp	3-3
3.5 Optional Signal Conditioning Op Amp (U8B)	3-5
3.6 Jumper Setting	3-5
3.7 Schematic	3-8

3.1 Factory Default Setting

The EVM board is set to operate in bipolar, ± 10 V mode of operation, in its default configuration from the factory as described in Table 3-1.

Table 3-1. Factory Default Jumper Setting

Reference	Jumper Position	Function
W1	1-2	Analog supply for the DAC8534 is +5 V, (labeled as +5 VA).
W2	1-2	DAC output A (V_{OUTA}) is routed to J4-2.
W3	OPEN	V_{REFH} is not routed to the inverting input of the op amp for voltage offset with gain of 2 output.
W4	1-2	Onboard external buffered reference U3 is routed to V_{REFH} .
W5	1-2	Negative supply rail of U2 Op Amp is supplied with V_{SS} .
W6	1-2	V_{REFL} is tied to AGND.
W7	CLOSED	A0 pin is tied to DGND.
W8	CLOSED	A1 pin is tied to DGND.
W9	CLOSED	LDAC pin is tied to DGND. Software LDAC is used.
W10	CLOSED	\overline{EN} pin is tied to DGND.
W11	1-2	DAC output B (V_{OUTB}) is routed to J4-4.
W12	1-2	DAC output C (V_{OUTC}) is routed to J4-6.
W13	1-2	DAC output D (V_{OUTD}) is routed to J4-8.
W15	CLOSED	Output op amp, U2, is configured for a gain of 2.
J4	2-1	DAC output A (V_{OUTA}) is connected to the noninverting input of the output op amp, U2.

3.2 Host Processor Interface

The host processor basically drives the DAC, so the proper operation of the DAC depends on successful configuration between the host processor and the EVM board. In addition, properly written code is also required to operate the DAC.

A custom cable can be made specific to the host interface platform. The EVM allows interface to the host processor through J2 header connector for the serial control signals and the serial data input. The output can be monitored through the J4 header connector.

An interface adapter card is also available for specific TI DSP starter kits, as well as an MSP430-based microprocessor as mentioned in chapter 1 of this manual. Using the interface card alleviates the tedious task of building customized cables, and allows easy configuration of a simple evaluation system.

The DAC8534 interfaces with any host processor capable of handling SPI protocols, or the popular TI DSP. For more information regarding the DAC8534 data interface, refer to the data sheet (SBAS254).

3.3 EVM Stacking

EVM stacking is possible if there is a need to evaluate two DAC8534 devices in yielding a total of eight channel outputs. A maximum of two EVMs are allowed, since the output terminal J4 dictates the number of DAC channels that can be connected without colliding. Table 3-2 shows how the DAC output channels are mapped into the output terminal J4, with respect to the jumper position of W2, W11, W12, and W13.

Table 3-2. DAC Output Channel Mapping

Reference	Jumper Position	Function
W2	1-2	DAC output A (V_{OUTA}) is routed to J4-2.
	2-3	DAC output A (V_{OUTA}) is routed to J4-10.
W11	1-2	DAC output B (V_{OUTB}) is routed to J4-4.
	2-3	DAC output B (V_{OUTB}) is routed to J4-12.
W12	1-2	DAC output C (V_{OUTC}) is routed to J4-6.
	2-3	DAC output C (V_{OUTC}) is routed to J4-14.
W13	1-2	DAC output D (V_{OUTD}) is routed to J4-8.
	2-3	DAC output D (V_{OUTD}) is routed to J4-16.

In order to allow exclusive control of each stacked EVM, the DAC8534 must have separate enable signals, \overline{EN} . This is accomplished by routing the enable signal of the first EVM through GPIO2 (P2/J2 pin 8), populating R27, and disconnecting R28. The second EVM should use the GPIO3 (P2/J2 pin12) for enable signal routing. Also, populate R28 and disconnect R27.

The LDAC signal can be shared to have a synchronous DAC output update. If you prefer the LDAC signal be separated from each EVM, the same concept described above should be implemented. Use GPIO0 and R25 for the first EVM, and GPIO1 and R26 for the second EVM.

3.4 The Output Op Amp

The EVM includes an optional signal conditioning circuit for the DAC output through an external operational amplifier, U2. Only one DAC output channel can be monitored at any given time for evaluation since the odd-numbered pins (J4-1 to J4-15) are tied together. The output op amp is set to a gain of 2 configuration by default. Nevertheless, the raw outputs of the DAC can be probed through the even-numbered pins of J4, the output terminal. This header also provides mechanical stability when stacking, or plugging into any interface card. In addition, it provides easy access for monitoring up to eight DAC channels when stacking two EVMs together. See section 3.3.

The following sections describe the different configurations of the output amplifier, U2.

3.4.1 Unity Gain Output

The buffered output configuration can be used to prevent loading the DAC8534, although it may present some slight distortion because of the feedback resistor and capacitor. Users can tailor the feedback circuit to closely match their desired wave shape by simply desoldering R7 and C11, and replacing them with the desired values. If desired, you can also simply remove R7 and C11 altogether and just solder a 0-Ω resistor in place of R7.

Table 3-3 shows the jumper settings for the unity gain configuration of the DAC external output buffer in unipolar or bipolar mode.

Table 3-3. Unity Gain Output Jumper Settings

Reference	Jumper Setting		Function
	Unipolar	Bipolar	
W3	OPEN	OPEN	Disconnects V_{REFH} from the inverting input of the op amp.
W5	2-3	1-2	Supplies V_{SS} to the negative rail of op amp or ties it to AGND.
W15	OPEN	OPEN	Disconnects negative input of op amp from AGND.

3.4.2 Output Gain of Two

There are two types of configurations that yield a gain of two output depending on the setup of jumpers W3 and W15. These configurations allow the user to choose whether the DAC output has V_{REFH} as an offset, or not.

Table 3-4 shows the proper jumper settings of the EVM for the 2× gain output of the DAC.

Table 3-4. Gain of Two Output Jumper Settings

Reference	Jumper Setting		Function
	Unipolar	Bipolar	
W3	Close	Close	Inverting input of the output op amp, U2, is connected to V_{REFH} for use as its offset voltage with a gain of 2. W15 jumper must be open.
	Open	Open	V_{REFH} is disconnected from the inverting input of the output op amp, U2. W15 jumper must be close.
W5	2-3	1-2	Supplies power, V_{SS} , to the negative rail of op amp, U2, for bipolar mode, or ties it to AGND for unipolar mode.
W15	Close	Close	Configures op amp, U2, for a gain of 2 output without a voltage offset. W3 jumper must be open.
	Open	Open	Inverting input of the op amp, U2, is disconnected from AGND. W3 jumper must be close.

3.4.3 Capacitive Load Drive

Another output configuration option may be a requirement to drive a wide range of capacitive loads. However, all op amps under certain conditions may become unstable depending on the op amp configuration, gain, and load value. These are just few factors that can affect op amp stability performance, and should be considered when implementing designs for capacitive loads.

In unity gain, the OPA627 op amp, U2, performs very well with very large capacitive loads. Increasing the gain enhances the amplifier's ability to drive

even more capacitance, and by adding a load resistor even improves the capacitive load drive capability.

Table 3-5. Capacitive Load Drive Output Jumper Settings

Reference	Jumper Setting		Function
	Unipolar	Bipolar	
W3	Open	Open	V_{REFH} is disconnected from the inverting input of the output op amp, U2.
W5	2-3	1-2	Supplies V_{SS} power to the negative rail of op amp U2 for bipolar mode, or ties it to AGND for unipolar mode.
W15	Open	Open	Capacitive load drive output of DAC is routed to pin 1 of W15 jumper, and may be used as the output terminal.

3.5 Optional Signal Conditioning Op Amp (U8B)

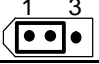
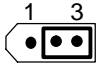
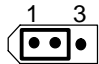
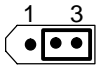

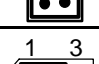

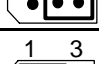

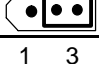
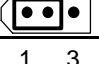





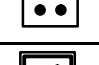
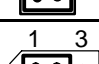
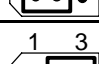
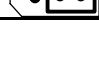


One part of the dual package op amp, OPA2132 (U8), is used for reference buffering (U8A) while the other is unused. This unused op amp (U8B) is available for whatever op amp circuit application the user desires to implement. The 1206 footprint for the resistors and capacitors surrounding the U8B op amp are not populated, but are available for easy configuration. TP6 and TP7 test points are also not installed, so it is up to the user as to how to connect the \pm input signals to this op amp. No test point is available for the output due to space restriction, but a wire can be simply soldered to the output of the op amp via unused component pads connected to it.

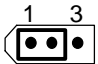
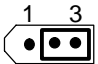
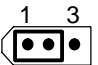
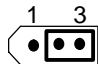


Once the op amp circuit design is realized, configuring the EVM becomes easy by simply populating the corresponding components that match the circuit design, and leaving all other unneeded component footprints unpopulated.


3.6 Jumper Setting

Table 3-6 shows the jumper setting configuration for a capacitive load drive.

Table 3-6. Jumper Setting Function

Reference	Jumper Setting	Function
W1		+5 V analog supply is selected for AV _{DD} .
		+3.3 V analog supply is selected for AV _{DD} .
W2		Routes V _{OUTA} to J4-2.
		Routes V _{OUTA} to J4-10.
W3		Disconnects V _{REFH} to the inverting input of the output op amp, U2
		Connects V _{REFH} to the inverting input of the output op amp, U2
W4		Routes the adjustable, buffered, onboard +5 V reference to the V _{REFH} input of the DAC8534.
		Routes the user supplied reference from TP1 or J4-20 to the V _{REFH} input of the DAC8534.
W5		Negative supply rail of the output op amp, U2, is powered by V _{SS} for bipolar operation.
		Negative supply rail of the output op amp, U2, is tied to AGND for unipolar operation.
W6		V _{REFL} is tied to AGND.
		Routes the user supplied negative reference from TP2 or J4-18 to the V _{REFL} input of the DAC8534. This voltage should be within the range of 0V to V _{REFH} .
W7		A0 pin is set high through pull-up resistor, R4. A0 can be driven by GPIO5.
		A0 pin is set low.
W8		A1 pin is set high through pull-up resistor, R3. A1 can be driven by GPIO4.
		A1 pin is set low.
W9		LDAC pin is set high through pull-up resistor, R2. LDAC can be driven by GPIO0.
		LDAC pin is set low and DAC update is accomplished via software.
W10		$\overline{\text{EN}}$ pin is set high through pull-up resistor, R1. $\overline{\text{EN}}$ can be driven by GPIO2.
		$\overline{\text{EN}}$ pin is set low and DAC is enabled.
W11		Routes V _{OUTB} to J4-4.
		Routes V _{OUTB} to J4-12.

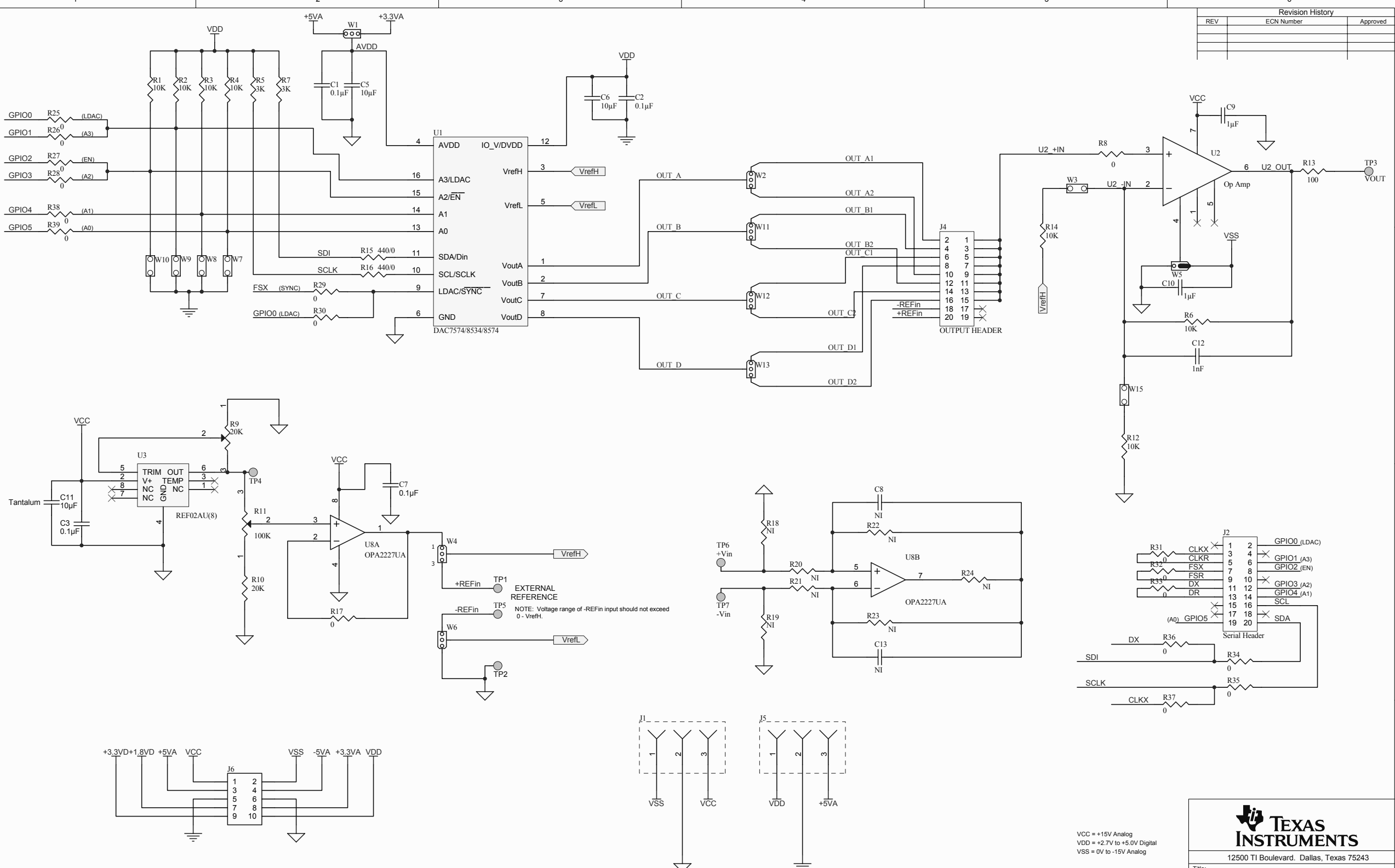
Reference	Jumper Setting	Function
W12		Routes V_{OUTC} to J4-6.
		Routes V_{OUTC} to J4-14.
W13		Routes V_{OUTD} to J4-8.
		Routes V_{OUTD} to J4-16.
W15		Disconnects the inverting input of the output op amp, U2, from AGND.
		Connects the inverting input of the output op amp, U2, to AGND for gain of 2.

Legend:  Indicates the corresponding pins that are shorted or closed.

3.7 Schematic

A 17"X11" schematic diagram is an attachment to this document.

Revision History		
REV	ECN Number	Approved



VCC = +15V Analog
VDD = +2.7V to +5.0V Digital
VSS = 0V to -15V Analog



12500 TI Boulevard, Dallas, Texas 75243

Title: DAC8534_74 EVM

Engineer: J. PARGUIAN	DOCUMENT CONTROL # 6447711	REV: A
Drawn By:	DATE: 13-Jun-2003	SHEET: OF: 1
FILE: DAC8534 Rev A.Sch	SIZE:	