

## Fuse holders UL Recognized



Order code	Pole arrangement	Status indicator	DIN size	Qty per pkg	Wt
			n°	n°	[kg]

For 10x38mm fuses.  
IEC 32A rated current at 690VAC.

FB01F1P	1P	—	1	12	0.066
FB01F1PL	1P	YES	1	12	0.065
FB01F1M <sup>①</sup>	1P+N	—	1	12	0.062
FB01F1N	1P+N	—	2	6	0.134
FB01F2P	2P	—	2	6	0.132
FB01F3P	3P	—	3	4	0.188
FB01F3N	3P+N	—	4	3	0.260

For 14x51mm fuses.  
IEC 50A rated current at 690VAC.

- ① Not certified cURus.
- ② Use with gG/aM class 125A fuses, not dissipating more than 12W power.

**NOTE:**  
For FB01 F type: UL Recognized as "Fuseholders - Component".  
Current rating: 30A. Voltage rating: 750V max. CSA certified as "Fuseholder Assemblies". Current rating: 30A. Voltage rating: 600V max.  
For FB02 A type: UL Recognized as "Fuseholders - Component".  
Current rating: 50A. Voltage rating: 750V max.  
For FB03 A type: UL Recognized as "Fuseholders - Component".  
Current rating: 100A. Voltage rating: 750V max.

### Operational characteristics

- IEC rated voltage Un: 690VAC
- IEC rated current In:
  - FB01F: 32A
  - FB02A: 50A
  - FB03A: 100A<sup>②</sup>
- IEC utilisation category:
  - FB01F: AC22B 500V, AC21B 690V
  - FB02A: AC22B 500V, AC21B 690V
  - FB03A: AC21B 690V
- Suitable for IEC fuse class: gG and aM
- IEC degree of protection: IP20.

### Certifications and compliance

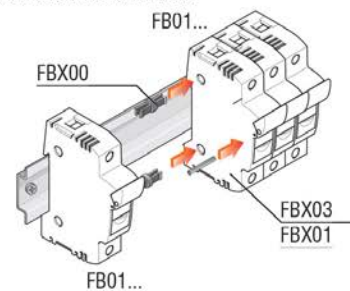
Type	CSA certified (File 252040 class 3211)	UL Recognized for USA and Canada (cURus - File E343395)
FB01F...	●	●
FB02A...	—	●
FB03A...	—	●

● Certification obtained.

cURus - "UL Recognized": Products having this type of marking are intended for use as components of complete workshop-assembled equipment.

Certifications obtained: EAC.  
Compliant with standards: IEC/EN/BS 60269-1, IEC 60269-2, IEC/EN/BS 60947-1, IEC/EN/BS 60947-3, UL 4248-1, UL 4248-4, CSA C22.2 n°4248.1, CSA C22.2 n°4248.4.

### Fuse holder combinations



## Fuse holders UL Listed and CSA Certified for class CC fuses for the North American market



Order code	Pole arrangement	Status indicator	DIN size	Qty per pkg	Wt
			n°	n°	[kg]

For 10x38mm fuses.  
IEC 30A rated current at 600VAC.

<b>FB01G1P</b>	1P	—	1	12	0.070
<b>FB01G1PL</b>	1P	YES	1	12	0.072
<b>FB01G2P</b>	2P	—	2	6	0.140
<b>FB01G3P</b>	3P	—	3	4	0.210

NOTE: UL Listed and CSA certified as "Fuseholders, Cartridge Fuse" for use with Class CC fuses. Interrupting rating 200,000 Amps rms symmetrical. Voltage rating 600V. Current rating 30A.

### Operational characteristics

- IEC rated voltage Un: 600VAC
- IEC rated current In: 30A
- IEC utilisation category: AC22B 500V, AC21B 690V
- Suitable for UL/CSA fuse class: CC
- IEC degree of protection IP20.

### Certifications and compliance

Certifications obtained: UL Listed for USA (UL - File E343395) and CSA certified for Canada only (File 252040 class 6225), EAC.  
Compliant with standards: IEC/EN/BS 60269-1, IEC 60269-2, IEC/EN/BS 60947-1, IEC/EN/BS 60947-3, UL 4248-1, UL 4248-4, CSA C22.2 n°4248.1, CSA C22.2 n°4248.4.

## Fuse holders for photovoltaic applications UL Listed / CSA certified up to 1000VDC



Order code	Pole arrangement	Status indicator	DIN size	Qty per pkg	Wt
			n°	n°	[kg]

For 10x38mm fuses.  
IEC 32A rated current at 1000VDC.

<b>FB01D1P</b>	1P	—	1	12	0.064
<b>FB01D1PL</b>	1P	YES	1	12	0.065
<b>FB01D2P</b>	2P	—	2	6	0.127
<b>FB01D2PL</b>	2P	YES	2	6	0.130

NOTE: UL Listed and CSA certified as "Photovoltaic fuseholders" for use with Photovoltaic Fuses. Interrupting rating 30,000 DC Amps. Voltage rating 1000V. Current rating 30A.

### Operational characteristics

- IEC rated voltage Un: 1000VDC
- IEC rated current In: 32A
- IEC utilisation category: DC20B 1000VDC
- Suitable for IEC fuse class: gPV
- IEC degree of protection: IP20.

### Certifications and compliance

Certifications obtained: UL Listed for USA (UL - File E366062) and CSA certified for Canada (File 252040 class 3211), EAC.  
Compliant with standards: IEC/EN/BS 60269-1, IEC 60269-2, IEC/EN/BS 60947-1, IEC/EN/BS 60947-3, UL 4248-1, UL4248-18, CSA C22.2 n° 4248-1, CSA C22.2 n° 4248-18.

## Fuses for photovoltaic applications up to 1000VDC



Order code	Rated current In	Qty per pkg	Wt
	[A]	n°	[kg]

10x38mm fuses.  
IEC 30kA breaking capacity at 1000VDC.

<b>FE01D00200</b>	2	10	0.008
<b>FE01D00400</b>	4	10	0.008
<b>FE01D00600</b>	6	10	0.008
<b>FE01D00800</b>	8	10	0.008
<b>FE01D01000</b>	10	10	0.008
<b>FE01D01200</b>	12	10	0.008
<b>FE01D01600</b>	16	10	0.008
<b>FE01D02000</b>	20	10	0.008

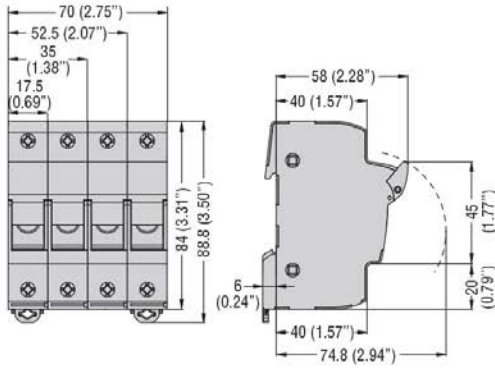
### Operational characteristics

- IEC rated voltage Un: 1000VDC
- IEC rated current In: 2...20A
- IEC fuse class: gPV.

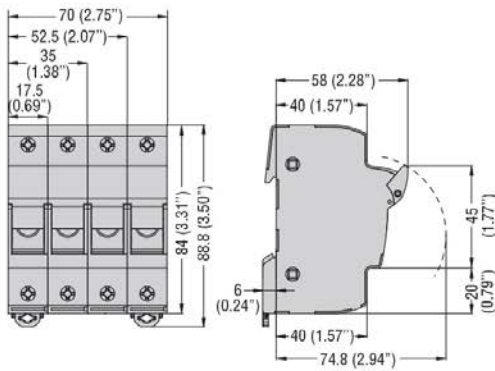
### Certifications and compliance

Certifications obtained: EAC.  
Compliant with standards: IEC/EN/BS 60269-6.

### FB01F... FB01G...

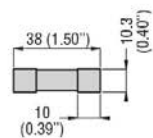


### FB01D...

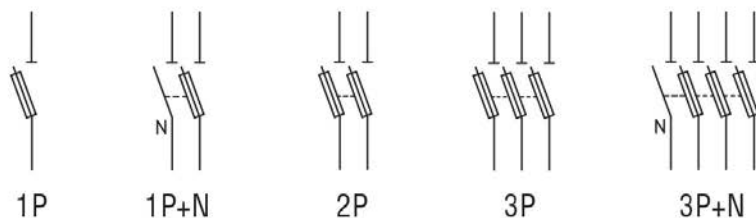


### FUSES

### FE01D0...



### Wiring diagrams



TYPE	FB01F...	FB01B...	FB02A...	FB03A...	FB01G...	FB01D...	FB04D...	
Range	AC				Class CC (AC)	DC	DC	
IEC maximum rated current In	32A		50A	100A <sup>①</sup>	30A	32A	32A	
IEC maximum rated voltage Un	690VAC;	690VAC			600VAC	1000VDC	1500VDC	
IEC utilisation category	AC22B 500V; AC21B 690V;			AC21B 690V	AC22B 500V; AC21B 690V	DC20B 1000VDC	DC-PV0 1500VDC	
Maximum power dissipation	3W		5W	9.5W	3W	4W	8W	
Derating factor of current In for different ambient temperatures	20°C	1					1	
	30°C	0.95					0.98	
	40°C	0.9					0.94	
	50°C	0.8					0.88	
	60°C	0.7					0.83	
	70°C	0.5					0.75	
Derating factor of current In for side-by-side fuse holders - number of poles	1-4	1					-	
	5-6	0.8					-	
	7-9	0.7					-	
	≥10	0.6					-	
Voltage for status indicator	120...690VAC		230...690VAC		120...600VAC	350...1000VDC	800...1500VDC	
<b>CONNECTIONS</b>								
Maximum tightening torque	1.5Nm / 13.3lb.in		3Nm / 26lb.in	4Nm / 35lb.in	2.5Nm / 22lb.in		2.5Nm / 22lb.in	
Maximum conductor cross section	flexible/stranded	1x16mm <sup>2</sup> ; 1x6mm <sup>2</sup> / 8AWG		1x25mm <sup>2</sup> / 6AWG	1x35mm <sup>2</sup> / 2AWG	1x16mm <sup>2</sup> / 8AWG	1x16mm <sup>2</sup> / 8AWG	1x10mm <sup>2</sup> / 8AWG
	rigid/solid	1x16mm <sup>2</sup> ; 1x10mm <sup>2</sup> / 8AWG		1x35mm <sup>2</sup> / 8AWG	1x50mm <sup>2</sup> / 1AWG	1x16mm <sup>2</sup> / 8AWG	1x16mm <sup>2</sup> / 8AWG	1x16mm <sup>2</sup> / 6AWG
<b>AMBIENT CONDITIONS</b>								
Operating temperature	-20...+70°C							
Storage temperature	-40...+80°C							
Maximum altitude	3,000m							
Operation position	Any							
Fixing	On 35mm DIN rail (IEC/EN/BS 60715)							

<sup>①</sup> Use with gG/aM class 125A fuses, not dissipating more than 12W power.

TECHNICAL CHARACTERISTICS FOR FE01 D... FUSES

TYPE	Rated current [A]	Power consumption at 0.7 I <sub>n</sub> [W]	Power consumption at I <sub>n</sub> [W]	Prearcing I <sup>2</sup> t [A <sup>2</sup> s]	Total I <sup>2</sup> t at 1000VDC [A <sup>2</sup> s]
FE01 D 00200	2	0.78	1.45	0.62	1
FE01 D 00400	4	0.64	1.57	6.9	11
FE01 D 00600	6	0.76	1.84	24	38
FE01 D 00800	8	0.8	1.92	62	99
FE01 D 01000	10	0.94	2.2	10	48
FE01 D 01200	12	0.98	2.4	18	94
FE01 D 01600	16	1.1	2.7	46	110
FE01 D 02000	20	1.2	2.9	118	282

TIME-CURRENT CHARACTERISTICS FOR FE01 D... FUSES

