



TagLock™ Universal Securing Device for Multi-Pole Breakers

Catalog #: 148702, 148697 & 148695

www.bradyid.com / www.bradyeurope.com

Design

- Single device that can be used with most major multi-pole breakers that employ a tie bar.
- Versatile device that is compatible with most name-brand manufacturers, such as GE, ITE, Sylvania, Cutler-Hammer, Challenger, Bryant, Siemens, Square D, and General Switch Company.
- Secure with 50 lb. minimum strength non-releasable nylon fasteners (shown) or padlock



Material

- Slide and Body made of Glass-filled Nylon
- Color: Slide and Body – Red (PMS 1805C)
- Stainless Steel screw with over molded Glass-filled Nylon thumbscrew.
- Color: Thumbscrew - Black
- Fasteners - Nylon
- UL Rating: 94-HB

Chemical	°C	Chemical	°C
Acetone	25	Petroleum	25
Acetone	60	Turpentine oil	25
Chlorine, chlorine water	25	Turpentine substitute (white spirit)	25
Fuel, engine: Gasoline (normal & premium grade)	85	Trichloroethane 1,1,1	45
Lubrication oil: gear oil	< 120	Lubricating oil: HD engine oils, hydraulic oils, transformer oils	< 120
Fuel, engine: M15 mixture (15% methanol)	70	Water (including seawater)	25
Methanol	25	Water (including seawater), chlorinated (<0,5 mg/l)	80

Temperature Range

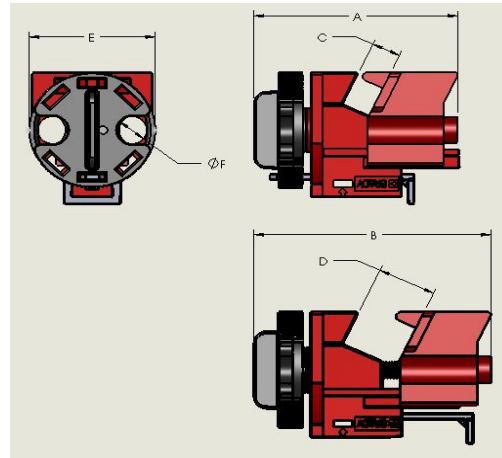
- Glass-filled Nylon: -20° to 120°C (0° to 250°F)

Chemical Resistance

All approved chemicals listed are based on the manufactures specified chemical resistance chart for plastic material only. All other materials in the device are made of steel.

Dimensions

"A"	–	2.100" [53.3mm]
"B"	–	2.450" [62.2mm]
"C"	–	0.300" [7.6mm]
"D"	–	0.610" [15.5mm]
"E"	–	1.300" [33.0mm]
"F"	–	0.312" [7.9mm]



Circuit Breaker Cross Reference Guide

Circuit Breaker Manufacture	Breaker Type	# of Poles	Circuit Breaker Manufacture	Breaker Type	# of Poles	Circuit Breaker Manufacture	Breaker Type	# of Poles
Bryant	BR	2-3	Cutler Hammer	QHCW	2-3	Siemens ITE	BQH	2-3
Challenger	C	2-3	Cutler Hammer	QHCX	2-3	Siemens ITE	EQP	4
Crouse Hinds	MP	2	Cutler Hammer	QHPW	2-3	Siemens ITE	HBL	2-3
Cutler Hammer	BAB	2-3	Cutler Hammer	QHPX	2-3	Siemens ITE	HBQ	2-3
Cutler Hammer	BR	2-3	Cutler Hammer	QPHW	2-3	Siemens ITE	HQP	2-3
Cutler Hammer	BRH	2-3	General Electric	THHQB	2-3	Siemens ITE	HQPP	2-3
Cutler Hammer	BRHH	2	General Electric	THHQC	2-3	Siemens ITE	HQPPH	2
Cutler Hammer	CH	2-3	General Electric	THHQL	2-3	Siemens ITE	QP	2-3
Cutler Hammer	CH2	4	General Electric	THQB	2-3	Siemens ITE	QPH	2-4
Cutler Hammer	CHB	2-3	General Electric	THQC	2-3	Siemens ITE	QPP	2-3
Cutler Hammer	CHP	2-3	General Electric	THQC-AL	2-3	Siemens ITE	QPPH	2-3
Cutler Hammer	CHQ	2	General Electric	THQL	2-3	Square D	EHB	2-3
Cutler Hammer	CHSW	2-3	General Electric	TQB	2-3	Square D	QOB-VH	2-3
Cutler Hammer	CL	2	General Electric	TQC	2-3	Square D	QOU w/tie bar	2-3
Cutler Hammer	HBAW	2-3	Proteus	BSEN60947-3	2	Sylvania GTE	QC	2
Cutler Hammer	HBAX	2-3	Proteus	AC22BS5419	2	Sylvania GTE	Type C	2
Cutler Hammer	HQP	2	Siemens ITE	BL	2-3	Westinghouse	BA w/tie bar	2-3
Cutler Hammer	QBHW	2-3	Siemens ITE	BLF-GFI	2	Westinghouse	BR w/tie bar	2-3
Cutler Hammer	QC	2-3	Siemens ITE	BLH	2-3	Westinghouse	BRH w/tie bar	2-3
Cutler Hammer	QCD	2-3	Siemens ITE	BQ	2-3	Westinghouse	QC	3
Cutler Hammer	QCHW	2-3						

MSDS Information

1. HAZARDS IDENTIFICATION

This product is NOT DANGEROUS and contains no hazardous ingredients.

2. FIRST AID MEASURES/HEALTH INFORMATION /PROTECTION

Eye Contact:	Not applicable, product is inert
Ingestion:	Not applicable, first aid is not normally required.
Inhalation:	Not applicable
Skin Contact:	Not applicable, product is inert, except if product is melted use gloves. For hot melted product, immerse in or flush affected area with water to dissipate heat, then obtain medical attention.
Exposure Limits:	None
Threshold Limits	None
Personal Protection:	None (ambient conditions)
NPCA-HMIS Rating:	Health: 0; Flammability: 1; Reactivity: 0
NFPA-704 Rating:	Health: 0; Flammability: 1; Reactivity: 0

3. FIRE-FIGHTING MEASURES

<ul style="list-style-type: none"> Be cautious of hot melted Nylon 	<ul style="list-style-type: none"> Use water spray to cool fire, exposed surfaces, and to protect personnel
<ul style="list-style-type: none"> Isolate product from fire 	<ul style="list-style-type: none"> Respiratory and eye protection is required for firefighting personnel
<ul style="list-style-type: none"> Extinguish fire with water spray 	<ul style="list-style-type: none"> Decomposition products under fire conditions: Oxygen-lean conditions may cause monoxide and irritating smoke

4. ACCIDENTAL RELEASE MEASURES

Land	Recover material and place in suitable container for reuse or for disposal in conformance with local regulations.
Water	Recover material and place in suitable container for reuse or for disposal in conformance with local regulations.

5. HANDLING AND STORAGE

5.1 Handling	5.2 Storage
No precautions noted-see local regulation if needed	Storage pressure: Atmospheric
	Storage temperature: Ambient, no direct sunlight

6. EXPOSURE CONTROLS/PERSONAL PROTECTION

6.1 Exposure limit values	6.2 Exposure Controls
None	6.2.1 Occupational Exposure Controls
	6.2.1.1 Respiratory Protection: Not applicable
	6.2.1.2 Hand Protection: Not applicable
	6.2.1.3 Eye Protection: Not applicable
	6.2.1.4 Skin Protection: Not applicable
	6.2.2 Environmental Exposure Controls: No data available

7. PHYSICAL AND CHEMICAL PROPERTIES

General Information	
Other Information	

8. STABILITY AND REACTIVITY

8.1 Conditions to Avoid
Higher Temperatures and direct sunlight (chemical resistance is excellent)
Highly stable, but temperatures over 480 F may cause degradation
8.2 Materials to Avoid
No data available
8.3 Hazardous Decomposition Products
Under fire and oxygen-lean conditions may cause monoxide and irritating smoke

9. ECOLOGICAL INFORMATION

9.1 Ecotoxicity	No data available
9.2 Mobility	No data available
9.3 Persistence and Degradability	No data available
9.4 Bioaccumulative Potential	No data available
9.5 Other Adverse Effects	No data available

10. DISPOSAL CONSIDERATIONS

None of the materials in this product are Recyclable, dispose of all materials in accordance with an applicable federal, state, and local law.

11. TRANSPORT INFORMATION

No data available

12. REGULATORY INFORMATION

This product has been tested and validated to the Regulatory Requirements listed below:	
• OSHA 29 CFR 1910.147 ©(4)(ii)(A)(1)/(c)(5)(ii)(C)(1)	• ANSI Standard Z244

13. OTHER INFORMATION

No data available

WARRANTY STATEMENT

Supplier warrants that all goods will be free from defects in materials and workmanship for a period of six (6) months from the time of delivery to the consumer by Supplier. Repair, replacement or credit (at Supplier's option) upon return of the goods is Purchaser's sole remedy for any such losses, expenses, inconveniences or damages. The limited warranty does not apply if (1) the defect is the result of use or handling of the goods in a manner, circumstance, or purpose other than those approved or instructed by Supplier, as identified in the installation procedures accompanying the product, the instruction for use found on the product and as found on the Brady's website; or (2) the goods are misused or abused or there is evidence of tampering, mishandling, neglect, accidental damages, modifications or repair without the approval of Supplier.

Copyright 2019 Brady Worldwide, Inc. | All Rights Reserved
Material may not be reproduced or distributed in any form without written permission.