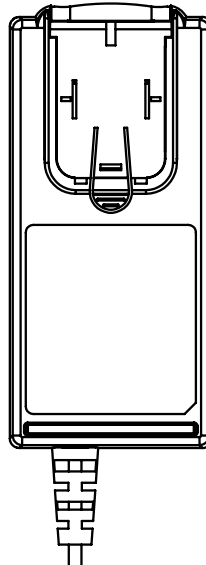
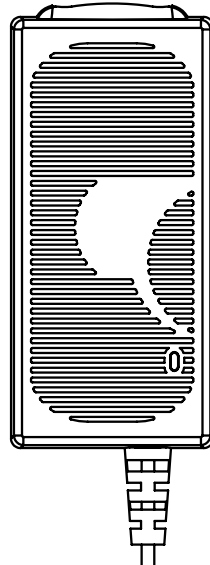
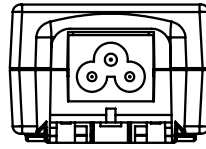
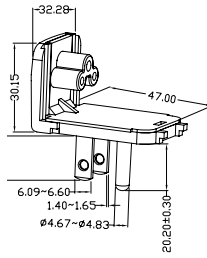


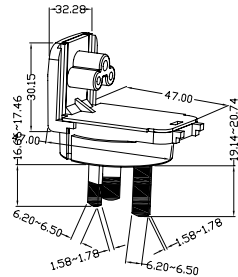
<b>PROPRIETARY INFORMATION:</b> PROPRIETARY OF GLOBTEK, INC. ANY REPRODUCTION, DISCLOSURE OR USE OF THIS DRAWING, IN WHOLE OR IN PART, IS HEREBY PROHIBITED EXCEPT AS SPECIFIED IN WRITING BY GLOBTEK, INC.	REVISION			
	REV	DESCRIPTION	DATE	APPROVED
	A	INITIAL RELEASE, RFS.24045, BS	01/17/13	HM
	B	UPDATE DRAWING WITH LOCATING TAB, RFS. 26719, NF	05/01/17	MK



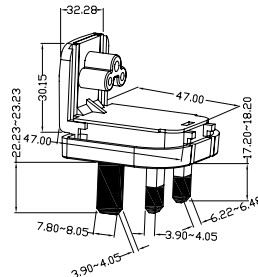
**RELEASED**  
 By N.Frost at 3:45 pm, Jun 14, 2017



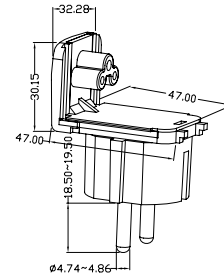
P/N: R-NA-3(R)  
NORTH AMERICA  
JAPAN



P/N: R-SAA-3(R)  
AUSTRALIA



P/N: R-UK-3(R)  
UNITED KINGDOM  
HONG KONG  
SINGAPORE



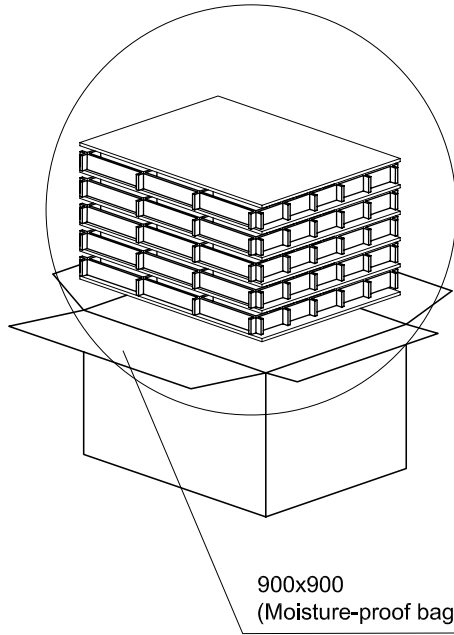
P/N: R-EU-3(R)  
EUROPE  
SOUTH AMERICA

INPUT CONNECTORS OPTIONS		Input connector
Pins included in Kit		R-Kit-3(R)
1	CLASS II MODEL NEMA 5-15P AC POWER PLUG WITH 2 PRONGS+GROUND, R-NA-3(R)	X
2	AUS TRALIAN CONFIGURATION: SAA 3 PINS CLASS I, R-SAA-3(R)	X
3	UK CONFIGURATION: UK 3 PINS CLASS I, R-UK-3(R)	X
4	EUROPEAN CONFIGURATION: EUROPLUG 2 PINS +GROUND, CLASS I, R-EU-3(R)	X

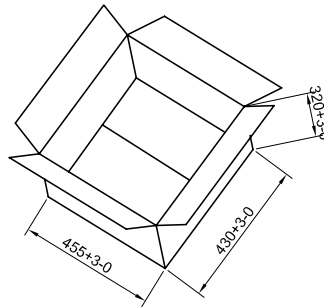
Foot Note: Globtek Inc. will not be liable for the safety and performance of these power supplies if unauthorized access and repair occurs. End user should consult applicable UL, CSA or EN standards for proper installation instructions.	DASH NO.	PART NO	REV.	DESCRIPTION	NOTES	
	<b>TABULATION BLOCK</b>					
	INIT.BY: BS		DATE: 01/17/13	<b>TOLERANCES:</b> DECIMALS ANGULAR .xx +/- 0.1 +/- 1' .xxx +/- .005		<b>GlobTek, Inc.</b> www.globtek.com 186 Veterans Dr. Northvale, NJ 07647 Tel. 201-784-1000 Fax 201.784.0111
	DRAWN: NF		DATE: 01/17/13	MILLIMETERS ANGULAR .xx +/- 0.3 +/- 1' .xxx +/- .013	DWG TITLE: INTERCHANGEABLE PLUG KIT	
APRVD : HM		DATE: 01/17/13	FSCN No.: G, N	SIZE A	MODEL NO: N/A	
			SCALE: NONE	PART NO: R-KIT-3(R)	REV. B	
					SHEET 1 OF 2	

**PROPRIETARY INFORMATION:**  
 PROPRIETARY OF GLOBTEK, INC. ANY REPRODUCTION, DISCLOSURE OR USE OF THIS DRAWING, IN WHOLE OR IN PART, IS HEREBY PROHIBITED EXCEPT AS SPECIFIED IN WRITING BY GLOBTEK, INC.

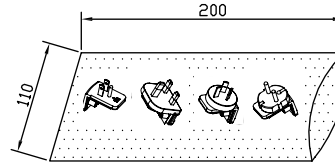
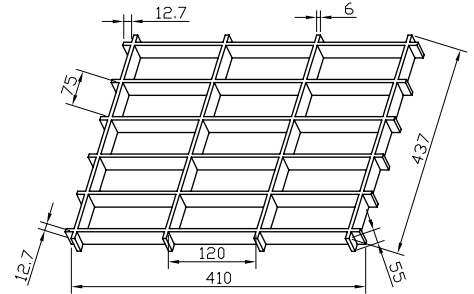
**PACKING**



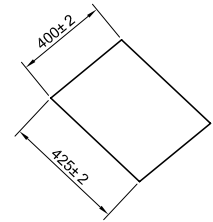
300 PCS/CARTON (60PCS\*5)



OUTSIDE CARTON



PE BAG 200\*110



PARTITION

5	5PCS	CELL PARTITION	413-02240023(R)
4	1PCS	OUTER CARTON	412-02240017(R)
3	6PCS	PARTITION	413-02240024(R)
2	75PCS	PE BAG	465-01200110(R)
1	1PCS	POLY BAG	465-00900900(R)

**GlobTek, Inc.**  
 www.globtek.com

186 Veterans Dr. Northvale, NJ 07647  
 Tel. 201-784-1000 Fax 201.784.0111

DWG TITLE: INTERCHANGEABLE PLUG KIT

MODEL NO: N/A

REV.  
A

PART NO: R-KIT-3(R)

SHEET 2 OF 2