

### Key Features & Benefits:

- Slim, No Driver Design
- Surface Mount to Ceiling or Wall
- Compatible with 3/0 & 4/0 J-Boxes
- JA8 Appendix Approved
- PIR Motion Sensor

Project: \_\_\_\_\_

Date: \_\_\_\_\_

Catalog #: \_\_\_\_\_

Notes: \_\_\_\_\_

### Technical Specifications:

Wattage: 15 Watts  
 Input Voltage: 120 VAC  
 Kelvin: 3000K or 4000K  
 CRI: >90  
 Beam Angle: 120°  
 Lumen Output: Up to 1,100 Lumens  
 Efficacy (lm/W): Up to 76 Lumens  
 Rated Life (hrs): > 50,000 Hours  
 Sensor Type: Passive Infrared  
 Selectable Time Delay: 1 Minute | 5 Minutes | 10 Minutes  
 Operating Temperature: -4°F ~ 104°F (-20°C ~ 40°C)  
 Dimensions (Ø X H): 7.32" X 1.34"  
 Weight (lbs): 0.72 lbs



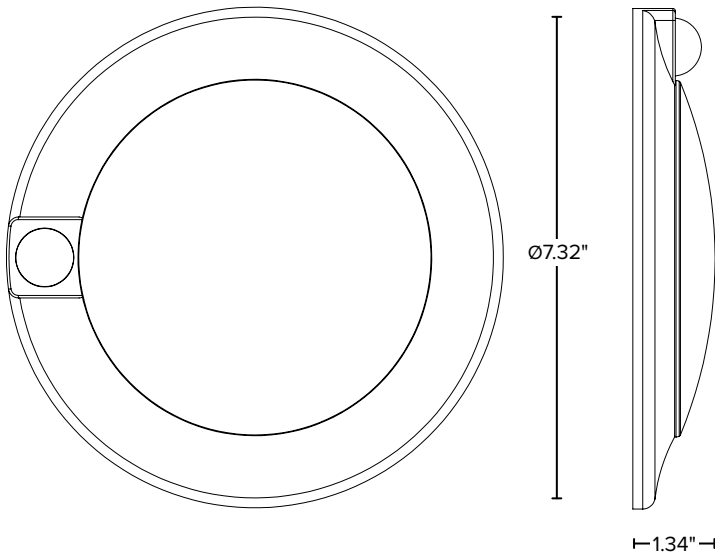
### Ordering Guide:

ESL	-	TYPE	-	SIZE	-	WATTAGE	-	GENERATION	KELVIN	-	FEATURE
ESL	-	ODSK	-	6	-	15	-	2	xx	-	DA
		(ODSK) Occupancy Disk		(6) 6 Inch Round		(15) 15 Watts		(2) 2nd Generation	(30) 3000K (40) 4000K		(DA) Adjustable Delay

### Catalog Data:

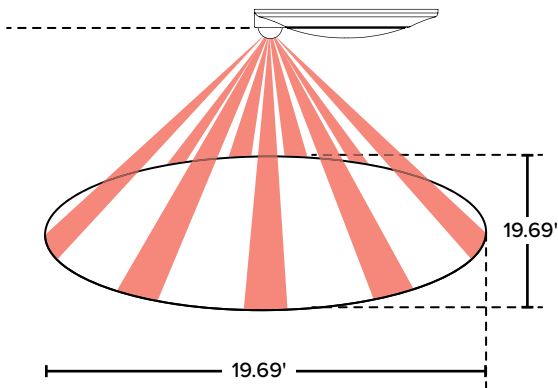
ITEM#	WATTAGE	KELVIN	LUMENS	EFFICACY lm/W	INPUT VOLTAGE	SELECTABLE TIME DELAY	DIMENSIONS (LxWxH)
ESL-ODSK-6-15W-230-DA	15W	3000K	1,100	73	120 VAC	1 MINUTE 5 MINUTES	7.32"x7.32"x1.34"
ESL-ODSK-6-15W-240-DA	15W	4000K	1,150	76	120 VAC	10 MINUTES	

**Dimensions:**

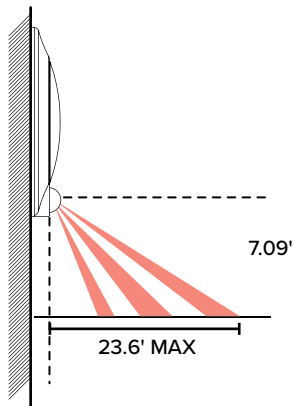


**Sensor Detection Range:**

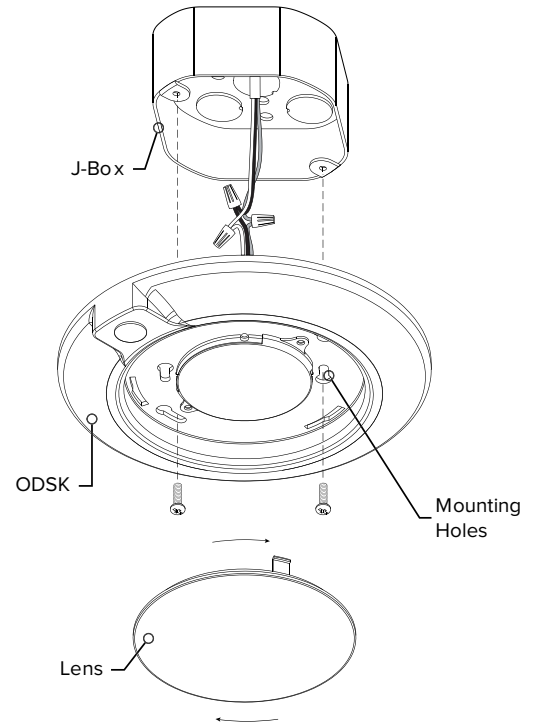
**Ceiling Mount**



**Wall Mount**



**Installation:**



**Selectable Time Delay Switch:**

**Back of Fixture**

