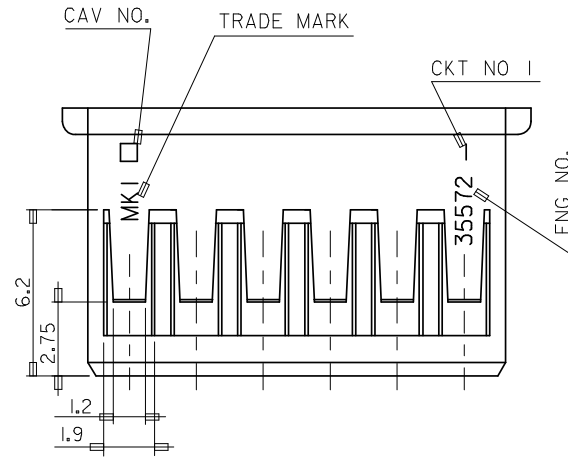
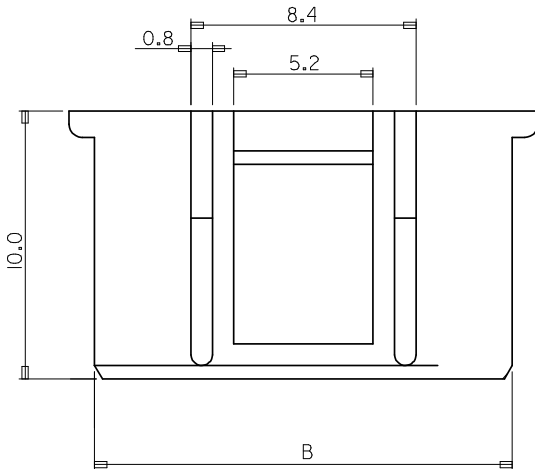
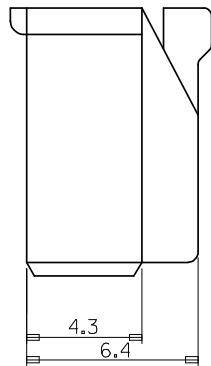
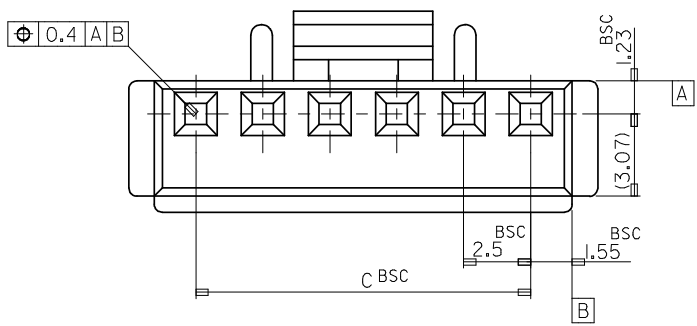


3 CKT ONLY



NOTE

1. MATERIAL : PBT UL94V-0 (VALOX 3IOSEO)
2. COLOR : 0 : NATURAL
2 : RED (ONLY 4P,6P,10P)
3. USED TERMINAL : 57915-9002/8001
4. MATED : 35312/35184



						20.0	23.1	25.0	35572-0900	9
35.0	38.1	40.0	35572-1500	15	17.5	20.6	22.5	35572-0800	8	
32.5	35.6	37.5	35572-1400	14	15.0	18.1	20.0	35572-0700	7	
30.0	33.1	35.0	35572-1300	13	12.5	15.6	17.5	35572-060*	6	
27.5	30.6	32.5	35572-1200	12	10.0	13.1	15.0	35572-0500	5	
25.0	28.1	30.0	35572-1100	11	7.5	10.6	12.5	35572-040*	4	
22.5	25.6	27.5	35572-100*	10	5.0	8.1	10.0	35572-0300	3	
C	B	A	ENG NO.	CKT	C	B	A	ENG NO.	CKT	

REVISED EC NO: KOR2008-0109 DRWN: JHPARK01 2008/01/02 CHKD: WY. YANG 2008/01/02 APPR: YUNS IKK IM 2008/01/02	QUALITY SYMBOLS ▽=0 ▽=0	GENERAL TOLERANCES (UNLESS SPECIFIED) <table border="1"> <tr> <td></td><td>mm</td><td>INCH</td></tr> <tr> <td>4 PLACES</td><td>± ---</td><td>± ---</td></tr> <tr> <td>3 PLACES</td><td>± ---</td><td>± ---</td></tr> <tr> <td>2 PLACES</td><td>± ---</td><td>± ---</td></tr> <tr> <td>1 PLACE</td><td>± 0.2</td><td>± ---</td></tr> </table>		mm	INCH	4 PLACES	± ---	± ---	3 PLACES	± ---	± ---	2 PLACES	± ---	± ---	1 PLACE	± 0.2	± ---	DIMENSION STYLE MM ONLY	SCALE 5:1	DESIGN UNITS METRIC	THIRD ANGLE PROJECTION
		mm	INCH																		
	4 PLACES	± ---	± ---																		
	3 PLACES	± ---	± ---																		
2 PLACES	± ---	± ---																			
1 PLACE	± 0.2	± ---																			
DRAFT WHERE APPLICABLE MUST REMAIN WITHIN DIMENSIONS	DRAWN BY HS. SHIN	DATE 2000/02/17	2.5 PITCH W/B CONN HOUSING																		
MATERIAL NO. SD35572.DGN	CHECKED BY JK. OH	DATE 2000/02/17	MOLEX INCORPORATED																		
SIZE A3	APPROVED BY CW. LEE	DATE 2000/02/17	DOCUMENT NO. SD-35572-001	SHEET NO. 1 OF 01	THIS DRAWING CONTAINS INFORMATION THAT IS PROPRIETARY TO MOLEX INCORPORATED AND SHOULD NOT BE USED WITHOUT WRITTEN PERMISSION																