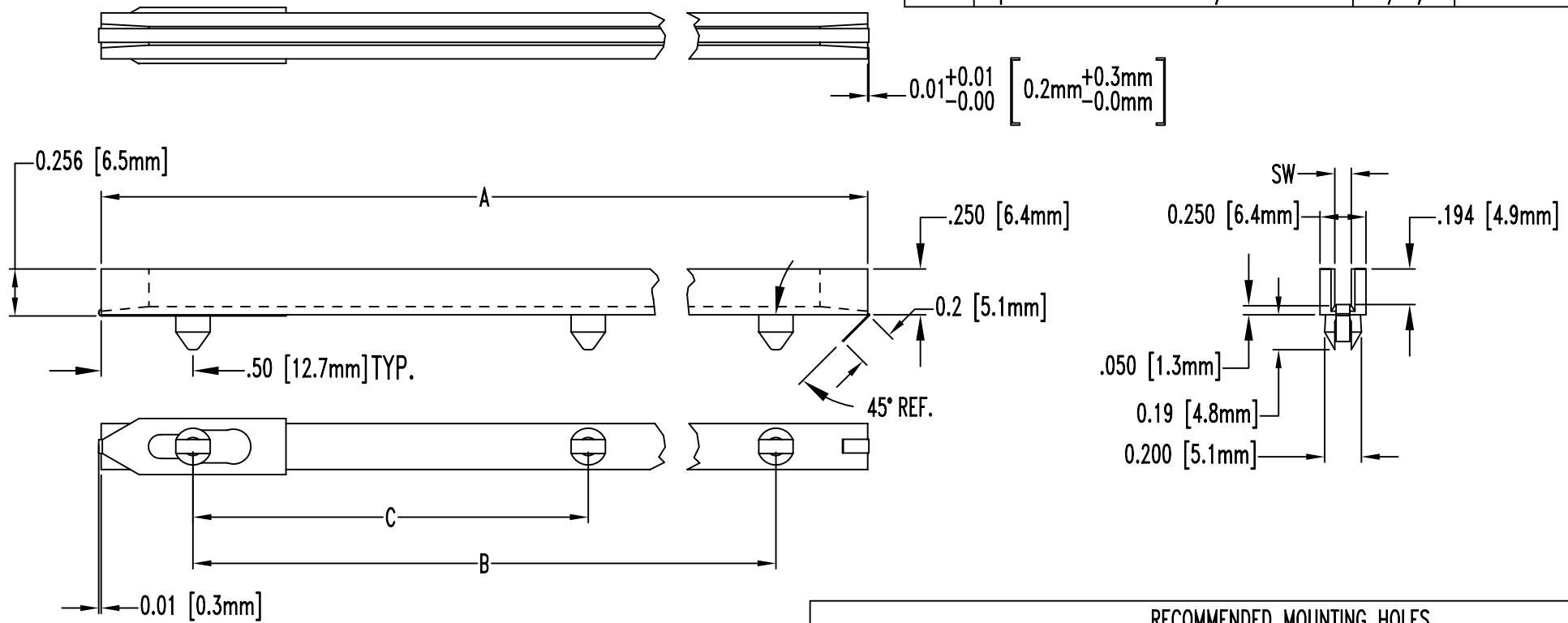
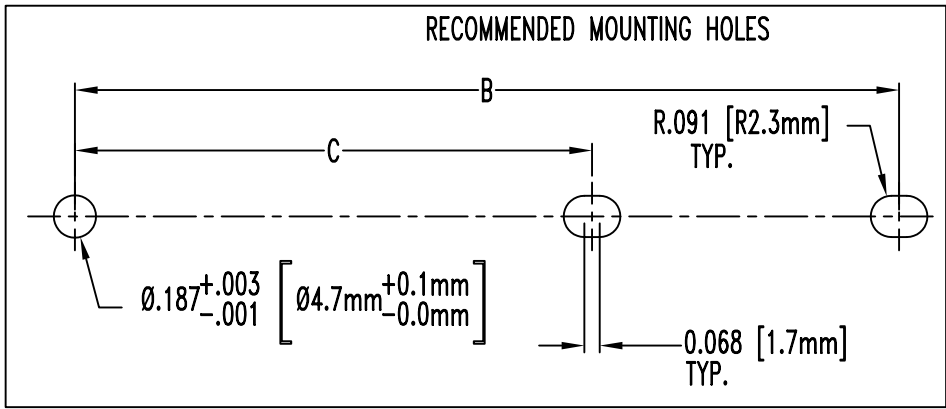


ITEM	Q'TY	PART NUMBER	PART DESCRIPTION
1	1	DC-XXX-XXX	DEEP CHANNEL PRESS-IN CARD GUIDE
2	1	CS-600 F-10.75	CONDUCTIVE INSERT

REV	DESCRIPTION	DATE	APPROVED
A	ENGINEERING RELEASE.	02/06/03	M. C.
B	ECO#388, ENGINEERING UPDATE.	05/01/03	M. C.
C	Updated Conductive Insert P/N	03/12/08	M. C.



PART NO.	A ±.062 (1.6)	B ±.032 (.8)	C ±.015 (.4)	S.W. ±.005 (.1)	PCB THICKNESS	DESC DWG. NO.
DC-250 CI	2.5 (63.5)	1.5 (38.1)	--			84101-01
DC-450 CI	4.5 (114.3)	3.5 (88.9)	--			84101-02
DC-600 CI	6.0 (152.4)	5.0 (127.0)	--	.080 (2.0)	1/16 (1.6)	84101-03
DC-800 CI	8.0 (203.2)	7.0 (177.8)	3.5 (88.9)			84101-04
DC-450-102 CI	4.5 (114.3)	3.5 (88.9)	--			--
DC-600-102 CI	6.0 (152.4)	5.0 (127.0)	--	.102 (2.6)	3/32 (2.4)	--
DC-800-102 CI	8.0 (203.2)	7.0 (177.8)	3.5 (88.9)			--
DC-450-130 CI	4.5 (114.3)	3.5 (88.9)	--			84101-22
DC-600-130 CI	6.0 (152.4)	5.0 (127.0)	--	.132 (3.4)	1/8 (3.2)	84101-23
DC-800-130 CI	8.0 (203.2)	7.0 (177.8)	3.5 (88.9)			84101-24



UNLESS OTHERWISE SPECIFIED: DIMENSIONS ARE IN INCHES	
TOLERANCES	
DECIMALS	ANGULAR
.X ± .1	X° ± 1°
.XX ± .01	
.XXX ± .005	

Bivar[®]
4 THOMAS, IRVINE, CA.92618
TEL: (949) 951-8808 FAX: (949) 951-3974

PART NAME: DEEP CHANNEL PRESS-IN CARD GUIDE W/ CONDUCTIVE INSERT

DESIGNER Michael Chen	DATE 02/06/03	SIZE A	DWG NAME	DWG NO. DC-XXX-XXX-CI	REV C
CHECKER D. Green	DATE 02/06/03	SCALE 1=1	CAGE CODE 32559	SHEET 1 OF 1	

Mouser Electronics

Authorized Distributor

Click to View Pricing, Inventory, Delivery & Lifecycle Information:

BIVAR:

[DC-250-CI](#) [DC-450-102-CI](#) [DC-450-130-CI](#) [DC-450-CI](#) [DC-800-102-CI](#) [DC-800-130-CI](#) [DC-800-CI](#) [DC-600-CI](#)
[DC-600-102-CI](#)

Other:

[DC-400-102-CI](#) [DC-700-CI](#) [DC-600-130-CI](#) [DC-650-102-CI](#) [DC-400-CI](#) [DC-700-102-CI](#) [DC-500-102-CI](#) [DC-550-CI](#)
[DC-650-CI](#) [DC-750-CI](#) [DC-550-102-CI](#) [DC-750-102-CI](#) [DC-500-CI](#)