

MICRO SWITCH

A DIVISION OF MINNEAPOLIS-HONEYWELL REGULATOR COMPANY
 FREEPORT, ILLINOIS

ACTUATOR - SWITCH

CATALOG LISTING

JS - 3

FED. MFR. CODE 91929

(M) JS-3
 ISSUE 3

REPLACES

JS-3

M

DRAWING NUMBER

RELEASE NO.

7

ISSUE

7

CHECK

26 MAY 59

CHECK

4 DEC 63

CHECK

17 MAY 89

CHECK

7 MAR 95

CHECK

27 MAY 59

CHECK

25 MAY '59

CHECK

25 MAY '59

CHECK

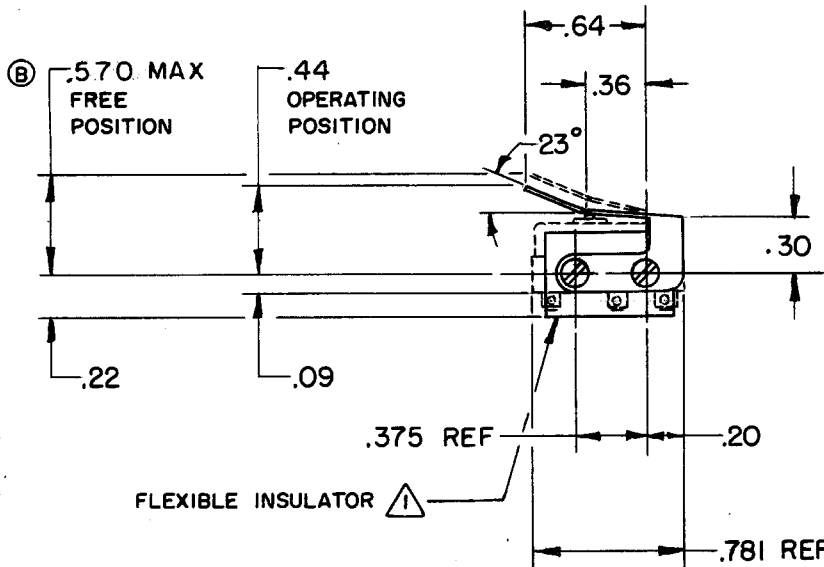
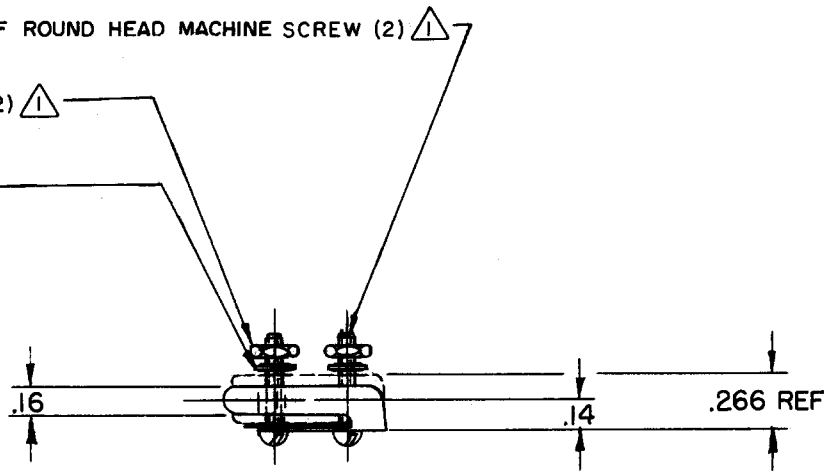
25 MAY '59

CHECK

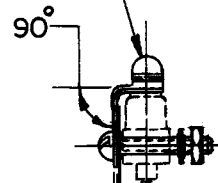
2-56 NC X .500 REF ROUND HEAD MACHINE SCREW (2) \triangle

2-56 NC HEX NUT (2) \triangle

LOCKWASHER (2) \triangle



CORROSION RESISTANT STEEL ACTUATOR



DOTTED LINES INDICATE BASIC SWITCH IN PLACE

FLEXIBLE INSULATOR \triangle

NOTE - \triangle - FURNISHED UNASSEMBLED

THIS DRAWING COVERS A PROPRIETARY ITEM AND IS THE PROPERTY OF MICRO SWITCH, A DIVISION OF MINNEAPOLIS-HONEYWELL REGULATOR CO. THIS DRAWING IS NOT TO BE COPIED OR USED WITHOUT THE APPROVAL OF MICRO SWITCH.

CHARACTERISTICS WITH ISMI BASIC SWITCH INSTALLED

OPERATING FORCE ----- 10 OZ MAX

RELEASE FORCE ----- 2 OZ MIN \textcircled{B}

DIFFERENTIAL TRAVEL ----- .020 MAX

OVERTRAVEL ----- .015 MIN

ELECTRICAL DATA

CONTACT ARRANGEMENT

SCALE FULL

DO NOT SCALE PRINT

UNLESS OTHERWISE SPECIFIED
 DIMENSIONS ARE IN INCHES
TOLERANCES ARE:

ONE PLACE (.0) \pm .030
 TWO PLACE (.00) \pm .015
 THREE PLACE (.000) \pm .005
 ANGLES \pm 2°

WEIGHT