

ebm-papst Mulfingen GmbH & Co. KG

Bachmühle 2

74673 Mulfingen

Phone: +49 7938 81-0

Fax: +49 7938 81-110

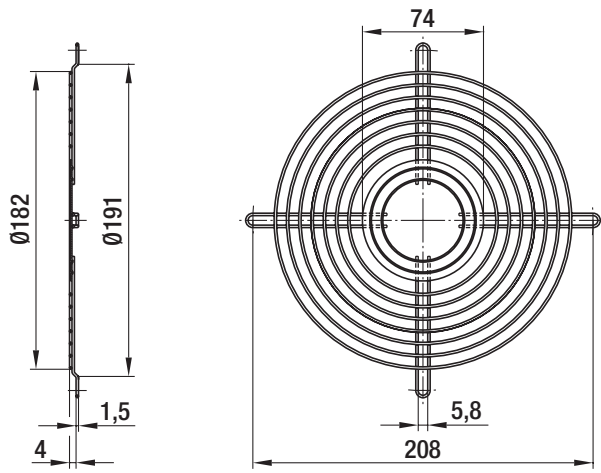
www.ebmpapst.com

info1@de.ebmpapst.com

Technical features

Size	180 mm
Material	Steel, galvanized and blue chromated (alternative: nickel-plated)

Product drawing



Mouser Electronics

Authorized Distributor

Click to View Pricing, Inventory, Delivery & Lifecycle Information:

[ebm-papst:](#)

[26388-2-4039](#)