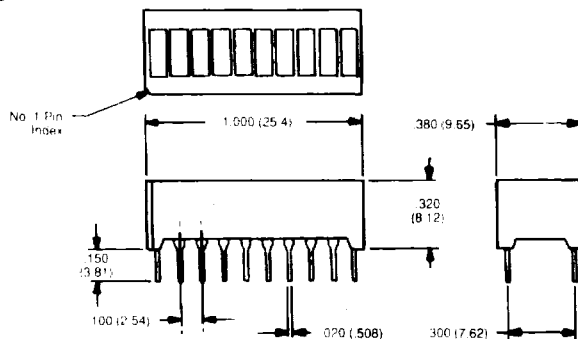


BAR GRAPH DISPLAYS

NTE Type Number	Diagram Number	Viewed Color	Description	Characteristics Per Segment					
				Maximum Continuous Forward Current (mA)	Maximum Reverse Voltage (Volts)	Maximum Forward Voltage (Volts)	Typical Luminous Intensity (μcd)	Peak Emission Wavelength (nm)	Total Power Dissipation (mW)
				I_F	V_R	V_F	I_V	λ_p	P_D
3111	398	Red	5-Segment Common Anode	15	3	1.90 Typ	150	700	100
3113	169	Red	9-Segment Common Anode	15	3	1.90 Typ	150	700	200
3114	169	Green	9-Segment Common Anode	20	3	2.05 Typ	300	565	300
3115	163	Hi-Efficiency Red	10-Segment Separate Anodes & Cathodes	30	6	3	510 Min	630	750
3116	163	Hi-Efficiency Green	10-Segment Separate Anodes & Cathodes	30	6	3	510 Min	562	750
3117	163	Yellow	10-Segment Separate Anodes & Cathodes	25	6	3	510 Min	585	750

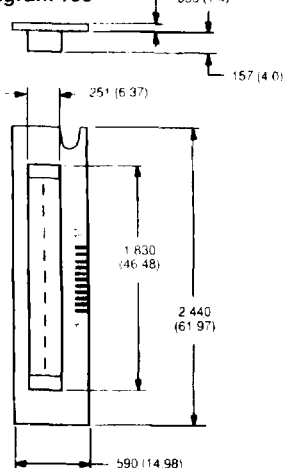
DIMENSIONAL OUTLINE DRAWINGS

Diagram 163



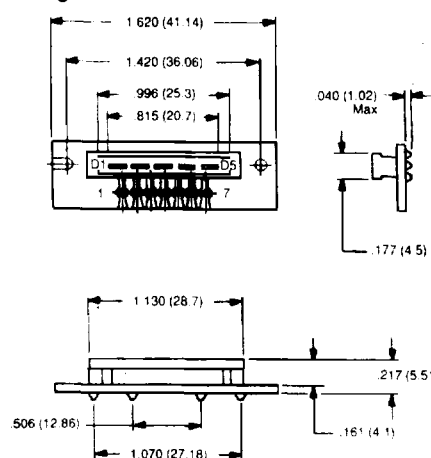
Pin	Output	Pin	Output
1	D1 Anode	11	D10 Cathode
2	D2 Anode	12	D9 Cathode
3	D3 Anode	13	D8 Cathode
4	D4 Anode	14	D7 Cathode
5	D5 Anode	15	D6 Cathode
6	D6 Anode	16	D5 Cathode
7	D7 Anode	17	D4 Cathode
8	D8 Anode	18	D3 Cathode
9	D9 Anode	19	D2 Cathode
10	D10 Anode	20	D1 Cathode

Diagram 169



Pin	Output
1	Common Anode
2	D1 Cathode
3	D2 Cathode
4	D3 Cathode
5	D4 Cathode
6	D5 Cathode
7	D6 Cathode
8	D7 Cathode
9	D8 Cathode
10	D9 Cathode
11	Common Anode

Diagram 398



Pin	Output
1	Common Anode
2	D1 Cathode
3	D2 Cathode
4	D3 Cathode
5	D4 Cathode
6	D5 Cathode
7	Common Anode