

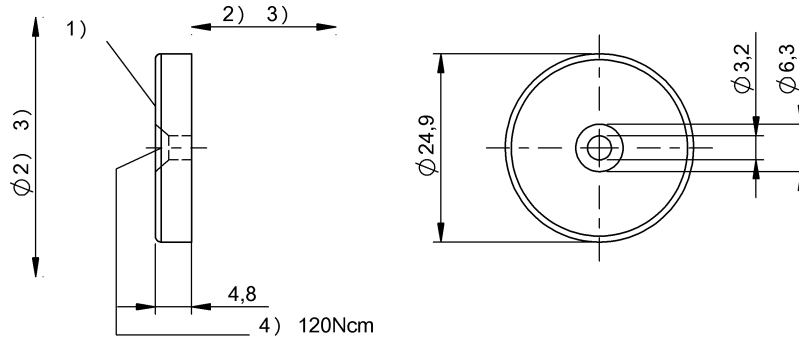
BIS M-132-10/L
Ordering code: BIS00YC

Data carrier
BIS M (HF, 13.56 MHz)

736 bytes/4 byte (read only)
Clear zone

BALLUFF

sensors worldwide



Characteristic data

Enclosure Type per IEC 60529 IP68

Electrical data

Read cycles Unlimited
Memory capacity read/write 736 bytes
Memory capacity read-only 4 byte
Data retention time / years ≥ 10
Memory organisation 47x16 bytes

Mechanical data

Ambient temperature -20...+85 °C
Storage temperature -40 °C ... +85 °C
Housing material ABS

Antenna type	Round
Free fall	EN 60068 Part 2-32
Shock rating	EN 60068 Part 2-27
Continuous shock load	EN 60068 Part 2-29
Vibration rating	EN 60068 Part 2-6
Application weight	4 g

Remarks

For installation in metal: Observe clear zone.
Time specification includes data check.
For application conditions refer to corresponding read/write head.
Only when used together with the appropriate read/write head.
Values are under rated conditions unless otherwise specified.

