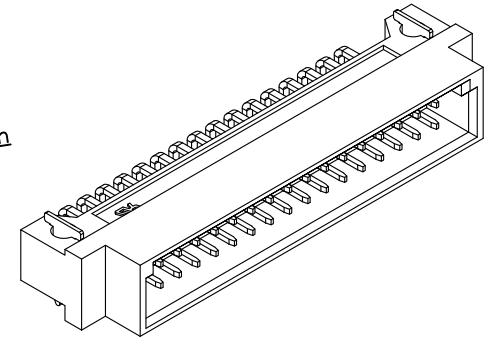
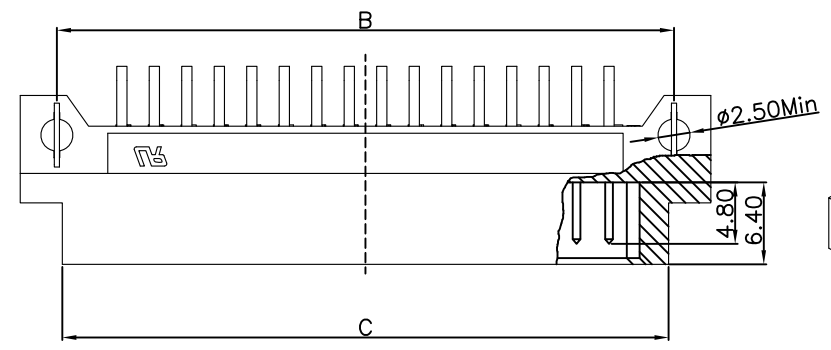


REV.	SPECIFICATION	ECN NO.	APPD.
R6		ECN220137	



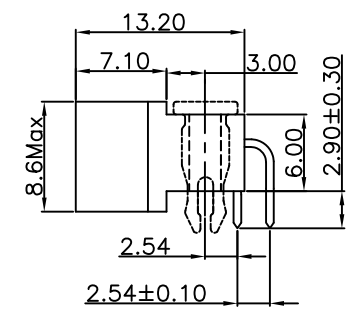
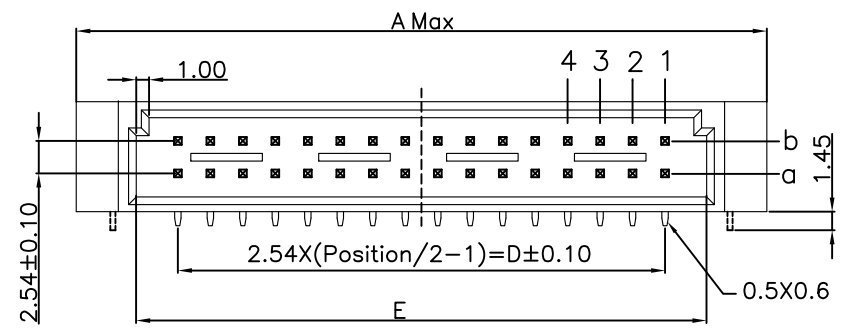
Material and Plating:

Housing: PBT, UL94V-0, Beige.
 Contacts: Brass.
 Lock: Phosphor Bronze.
 Gold Plated on contact Area and 80u" Min Tin or Gold
 Flash Plated on solder tail over 50u" Min Nickel.

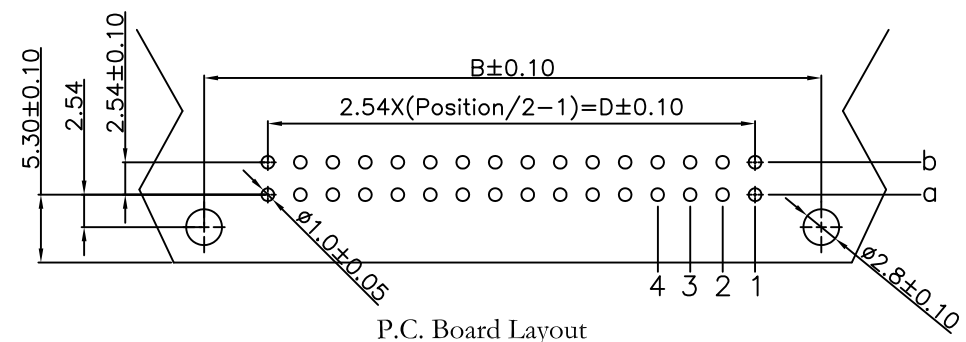
Electrical Characteristics:

Current Rating: 2 AMP.
 Dielectric Withstanding Voltage: AC 1000V For 1 minute.
 Insulator Resistance: 1000M Ω Min. at DC 500V.
 Contact Resistance: 20m Ω Max. at DC 100mA.
 Operating Temperature: -55°C ~ +125°C .

***RoHS Compliant**



Dimension					
Position	A	B	C	D	E
44/22	69.24	63.50	62.64	53.34	59.95
32/16	54.00	48.26	47.40	38.10	44.60



P.C. Board Layout
(Tolerance: ± 0.05)

9001- 3 5 xx 1 C xx x A
 Series: 3: 2.54mm, 5: Male, Position, 1: Dip Length:
 A: Tray Package
 Blank: W/O Lock
 L1: With Lock
 00: G/F
 10: 10 u"
 15: 15 u"
 30: 30 u"
 C: Dip Tin
 Contact Gold
 G: Gold

9001-35441CxxxA		a b	44	2.54mm
9001-35321CxxxA		a b	32	
9001-35221CxxxA		a -	22	
9001-35161CxxxA		a -	16	
P/N	Contact Arrange	Rows with Contacts	Position	

Tolerances	Dwg No.	9001D35001	Title:
x = ± 0.5	Projection		9001 Series
.x = ± 0.25	Unit	mm	DIN 41612
.xx = ± 0.15	Scale	1:1	Half B Type Male
	Drawn By	ZY 1/19'22	

OUPIN			
OUPIN ELECTRONIC(KUNSHAN) CO., LTD.			
P/N: 9001-35xx1CxxxA			
SHEET	1/1	Ver.No.	R6