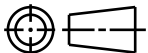
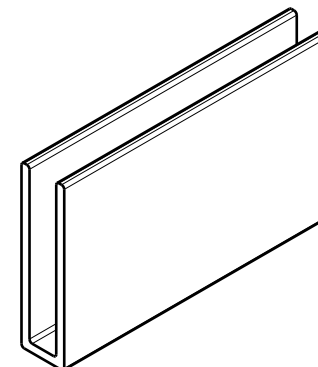


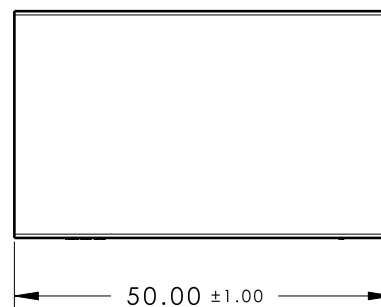
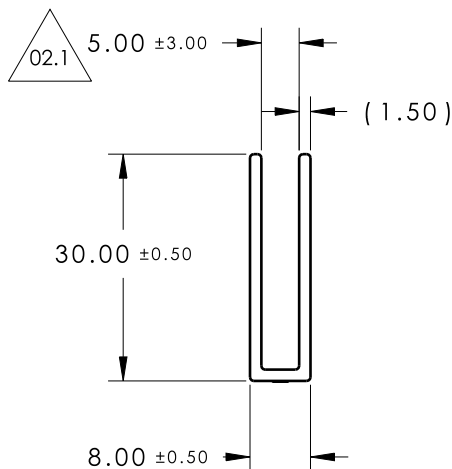
CATIA V5



Revision Level			Revision Record	Changed	Date	Approved	Date
Drawing	State	Part					
02.1	Design Release	A	SEE ECN# 012580	CJR	02/11/14	SJA	02/11/14



ISOMETRIC VIEW



Material
PP20%TC
COLOR: BLACK

Units **millimeters**

Tolerance defined on each dimension

The copyright of this drawing is reserved by HellermannTyton. It is issued on condition that it is not reproduced, copied or disclosed to a third party, either wholly or in part, without the consent of HellermannTyton.

Drawn	CJR	10/08/13
Approved	SJA	10/08/13
HellermannTyton		
North America Email: corp@htamericas.com Web: www.hellermann.tyton.com		

Article/Type-No	MINICHNL
Title	U SHAPE MINI CHANNEL
Drawing-No	13-0591-001-CSU
PRODUCTION : Phase	

Scale	1:1
Project Number	13-0591
Format	AH
Sheet	1/1