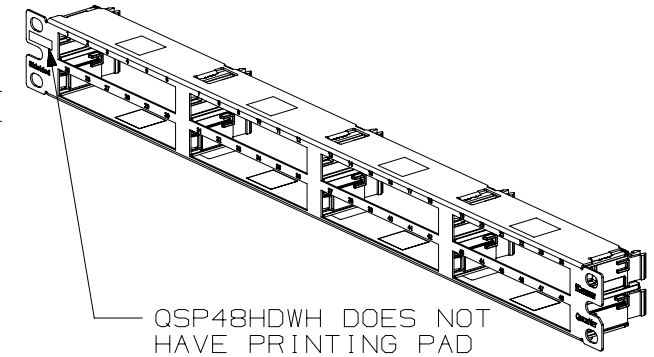
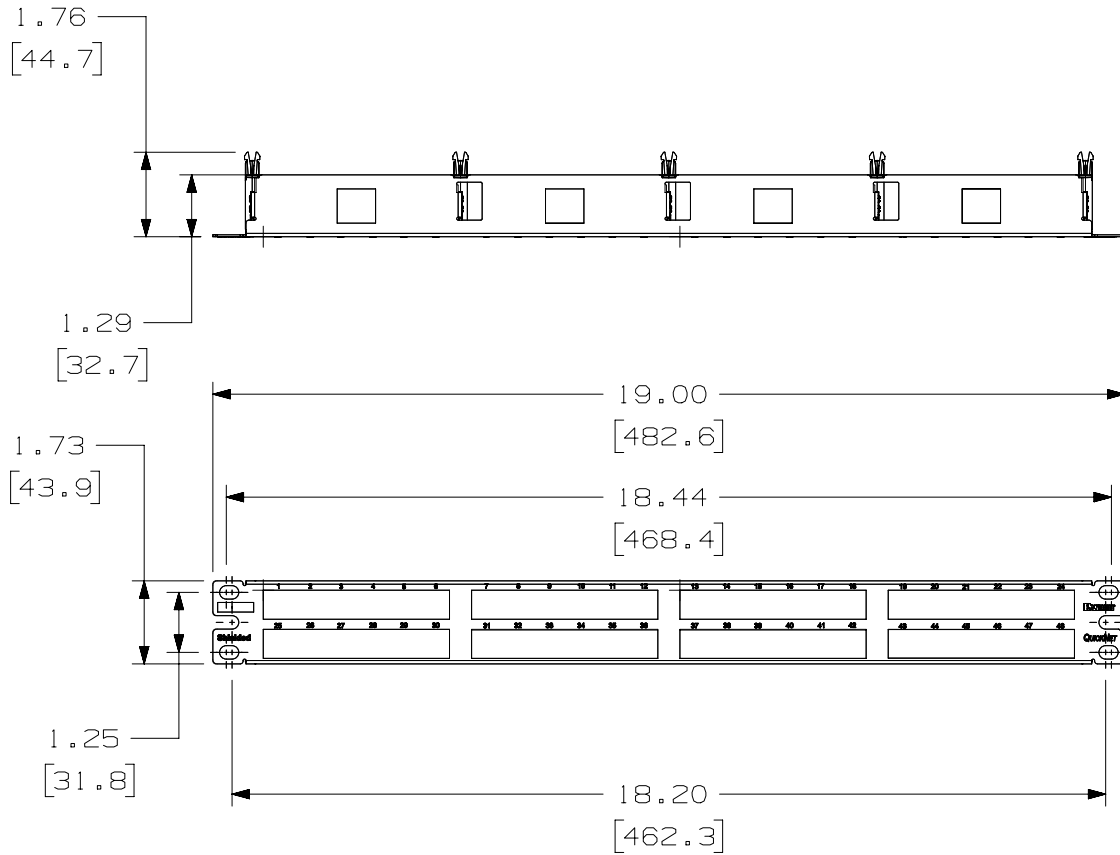


THIS COPY IS PROVIDED ON A RESTRICTED BASIS AND IS NOT TO BE USED IN ANY WAY DETRIMENTAL TO THE INTERESTS OF PANDUIT CORP.

PANDUIT PART NO.	WEIGHT (APPOX.)
QSP48HDBL	0.65 lb (294.8 g)
QSP48HDWH	0.65 lb (294.8 g)

NOTES:

- SEE CURRENT CATALOG FOR VARIOUS APPLICATIONS.
- THE PATCH PANEL IS DESIGNED FOR MOUNTING TO 19" UNIVERSAL RACKS.
- DIMENSIONS IN BRACKETS ARE IN METRIC.
- PART INCLUDES:
  - 1- METAL STAMPING WITH SLIDE GUIDES
  - 1- SCREW KIT (INCLUDES FOUR #12-24 SCREWS)
  - 1- SCREW KIT (INCLUDES FOUR M6 SCREWS)
- QSP48HDBL IS BLACK WITH WHITE SILKSCREENING. QSP48HDWH IS WHITE WITH BLACK SILKSCREENING.



PART NUMBER		QSP48HDBL/QSP48HDWH	
TITLE			
QUICKNET 48 PORT PATCH PANEL			
CUSTOMER DRAWING			
ITEM REVISION NAME		M02816AC/03	
DATASET FILE NAME		M02816AC_DC17/03A	
UNLESS OTHERWISE SPECIFIED, DIMENSIONAL TOLERANCES ARE: IN (mm)		MATERIAL:	
.x ± .xxx ± .010 (.3)		PANEL: C.R.S. GUIDES: ABS	
.xx ± .03 (.8) ANGLES ±			
DRAWING NUMBER:		02816-17	
DRAWN BY	DATE	CHK	SCALE
BJN	7-26-12	WFMI	.25 TO 1
SHT 1 OF 1		SIZE A	

REV	DATE	BY	CHK	APR	DESCRIPTION	ECN
2	1-2-18	BAME	KRKS	RWB	ADDED P/N QSP48HDWH	M09000HA
1	5-8-14	BJN	JSP	TMBA	REVISED & REDRAWN PREVIOUS REVISIONS REMVD FOR CLARITY	02816-17

D10100DA/14

2

1

2

1