

Midi Horns and Sirens / Signal Horn 570

Signal horn WM Contin. tone 115VAC GY



Part No.: 570.052.67



MECHANICAL DATA	
Length	152 mm
Height	350 mm
Diameter	148 mm
Materials	PC/ABS
Housing colour	Gray
Protection category	IP55
Connection	Screw terminals
cross-sectional area maximum	2,50mm ² / 14AWG
Cable entry	Through hole
Cable entry maximum	d = 10 mm
Type of fixing	Wall mounting
Service life optical	250 h minimum
Acoustic service life	250 h minimum
Working temperature minimum	-20°C
Working temperature maximum	+60°C
Weight with packaging	1027 g
Product weight	860 g

ELECTRICAL DATA	
Operating voltage	115V
Operating voltage type	AC
Rated operational current	200 mA

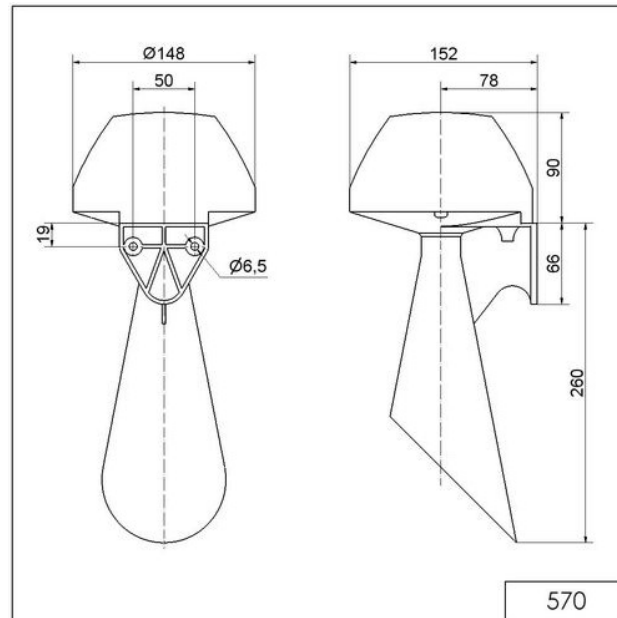
ACUSTICAL DATA	
Volume/dB(max) at 1m distance	108 dB(A)
Acoustic signal image	Continuous tone

! For additional installation and mounting information, refer to the appropriate user guide at www.werma.com. This printed copy is for information only and is subject to alteration.

Midi Horns and Sirens / Signal Horn 570

Signal horn WM Contin. tone 115VAC GY

DRAWING



For additional installation and mounting information, refer to the appropriate user guide at www.werma.com. This printed copy is for information only and is subject to alteration.