

PANEL MOUNT INDICATOR, NON-RELAMPABLE

LED TECHNOLOGY, SUNLIGHT VISIBILITY

MOUNTING HOLE, Ø 0.690"

PART NO.	LENS COLOR	VOLTAGE (DC)	CURRENT [mA]	RATED LIFE HOURS
LED 6V SERIES				
WL-557-1502-203F	RED	5V-7V	20mA	60,000
WL-557-1702-203F	YELLOW	5V-7V	20mA	60,000
WL-557-1602-203F	GREEN	5V-7V	20mA	60,000
WL-557-1802-203F	BLUE	5V-7V	20mA	60,000
WL-557-1002-203F	WHITE	5V-7V	20mA	60,000
LED 12V SERIES				
WL-557-1503-203F	RED	12V-14V	20mA	60,000
WL-557-1703-203F	YELLOW	12V-14V	20mA	60,000
WL-557-1603-203F	GREEN	12V-14V	20mA	60,000
WL-557-1803-203F	BLUE	12V-14V	20mA	60,000
WL-557-1003-203F	WHITE	12V-14V	20mA	60,000
LED 24V SERIES				
WL-557-1505-203F	RED	24V-28V	20mA	60,000
WL-557-1705-203F	YELLOW	24V-28V	20mA	60,000
WL-557-1605-203F	GREEN	24V-28V	20mA	60,000
WL-557-1805-203F	BLUE	24V-28V	20mA	60,000
WL-557-1005-203F	WHITE	24V-28V	20mA	60,000

NOTES

1. Recommended panel thickness
0.050" to 0.187"
2. 6" 20 AWG leads with 1/2" strip are standard
3. Storage temperature
T_{STG}: -25°C - +80°C
4. Ambient temperature
T_A: -20°C - +60°C
5. Voltage tolerance
V_{OP}: ±10%
6. DC operation only
7. Sunlight Visible, 3000 mcd minimum
8. Body material
Nylon, black
9. Lens material
Polycarbonate
10. Gasket
Buna-N
11. Mounting hardware (nut, lock washer, and gasket) included

CERTIFICATIONS

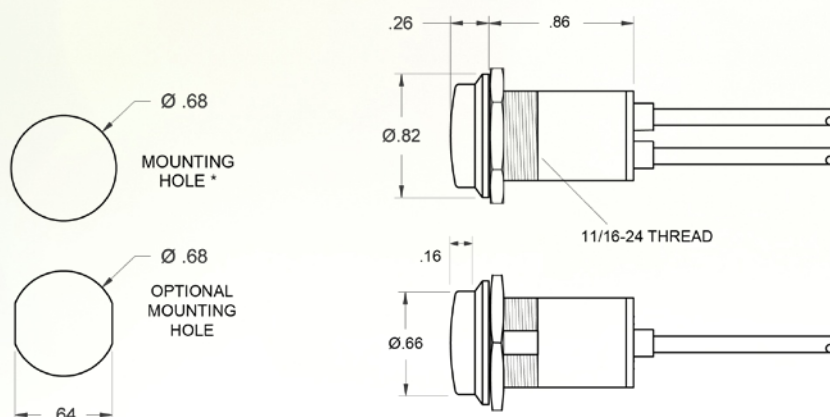
UL (E340667), RoHS



- Splash proof
- Outdoor applications
- NEMA 3-R



DIMENSIONAL CHARACTERISTICS



unless otherwise specified, all dimensions are in inches

OPTIONS

Additional options and lens styles available. Please contact Wamco for more information.



PANEL MOUNT INDICATOR, NON-RELAMPABLE

LED TECHNOLOGY, SUNLIGHT VISIBILITY

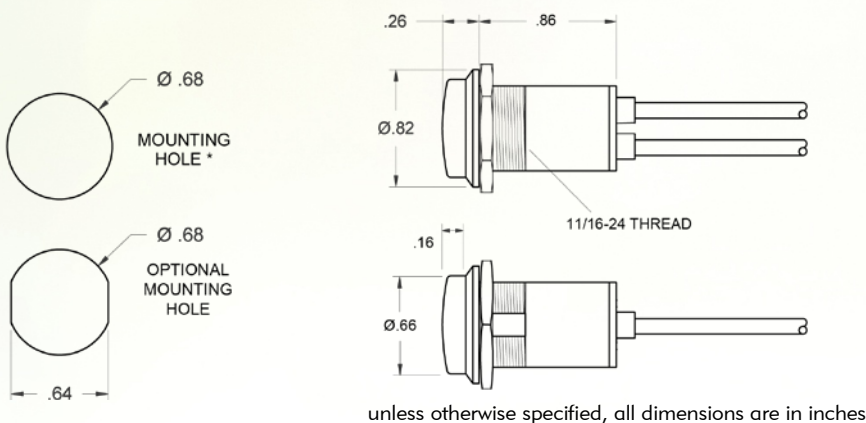
MOUNTING HOLE, Ø 0.690"

PART NO.	LENS COLOR	VOLTAGE (AC)	CURRENT [mA]	RATED LIFE HOURS
LED 125VAC SERIES				
WL-557-1507-203F	RED	105-125VAC	20mA	60,000
WL-557-1707-203F	YELLOW	105-125VAC	20mA	60,000
WL-557-1607-203F	GREEN	105-125VAC	20mA	60,000
WL-557-1807-203F	BLUE	105-125VAC	20mA	60,000
WL-557-1007-203F	WHITE	105-125VAC	20mA	60,000

NOTES

1. Recommended panel thickness
0.050" to 0.187"
2. 6" 20 AWG leads with 1/2" strip are standard
3. Storage temperature
 T_{STG} : -25°C - +80°C
4. Ambient temperature
 T_A : -20°C - +60°C
5. Voltage tolerance
 V_{Op} : ±10%
6. AC operation only
7. Sunlight Visible, 3000 mcd minimum
8. Body material
Nylon, black
9. Lens material
Polycarbonate
10. Gasket
Buna-N
11. Mounting hardware (nut, lock washer, and gasket) included

DIMENSIONAL CHARACTERISTICS



CERTIFICATIONS

UL (E340667), RoHS



- Splash proof
- Outdoor applications
- NEMA 3-R



OPTIONS

Additional options and lens styles available. Please contact Wamco for more information.

