

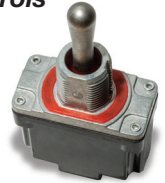
# PT Series Sealed Power Toggle Switch

## Features/Benefits

- **IP66 / IP68 versatile rating to withstand harsh outdoor environments, intense, wet weather, wind blown rain, dust, dirt**
- **UL 61058-1 certified has global acceptance with no additional testing needed**
- **Integrated panel seal for extra protection**
- **Superior oil and fuel resistance**
- **High strength, heat resistant housing designed for demanding applications subjected to vibration and harsh conditions**

## Typical Applications

- **Off-road, Construction/Agricultural vehicles**
- **Material handling equipment**
- **Articulating, scissor, and bucket lift controls**
- **Outdoor industrial equipment**
- **Lift gate controls**



## Specifications

UL ELECTRICAL RATINGS:

MAINTAINED FUNCTIONS: 15A GP, 277VAC 50/60Hz T85  
15(4)A, 277VAC 50/60Hz T85  
1/2 hp, 125VAC 50/60Hz T85  
1 hp, 250VAC 50/60Hz T85

MOMENTARY FUNCTIONS: 10A GP, 277VAC 50/60Hz T85  
10(4)A, 277VAC 50/60Hz T85  
1/4hp, 125VAC 50/60Hz T85  
1/2 hp, 250VAC 50/60Hz T85

ELECTRICAL LIFE: 10,000 cycles

DC ELECTRICAL RATINGS: Resistive Loads

ALL FUNCTIONS: Up to 25A, 24VDC  
0.75A, 125VDC  
0.5A, 250VDC

MAINTAINED FUNCTIONS: 15A, 28VDC

MOMENTARY FUNCTIONS: 10A, 28VDC

DIELECTRIC STRENGTH: 2500V min. initial (terminal to toggle)

INSULATION RESISTANCE: 1000 MΩ min. initial

CONTACT RESISTANCE: 50 mΩ max. initial (terminal to toggle)

OPERATING AND STORAGE TEMPERATURE: -40°C to +85°C

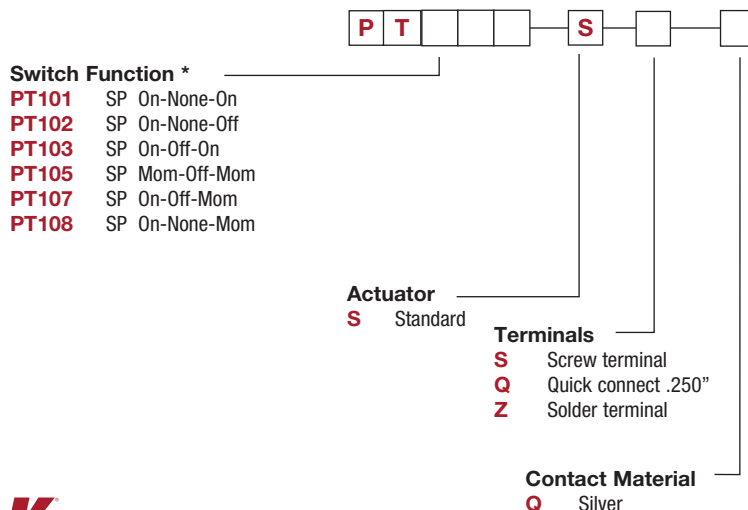
IP RATINGS: IP66 / IP68 Versatile

## Materials

CASE:	Thermoset
ACTUATOR:	Stainless Steel
PIVOT PIN:	Stainless Steel
BUSHING:	Zinc Die Cast
SEAL:	Silicone
MOVEABLE CONTACT(S):	Copper alloy, silver plated
BUTTON:	Silver Cadmium
TERMINALS:	Brass for Quick connect, silver plated brass for solder and screw terminals
HARDWARE:	Stainless Hex nut, Brass screws, stainless lock washer, stainless locking ring.
AVAILABLE:	Over molded Silicone Bushing Hex Seal
PACKAGING:	Trays

## Build-A-Switch

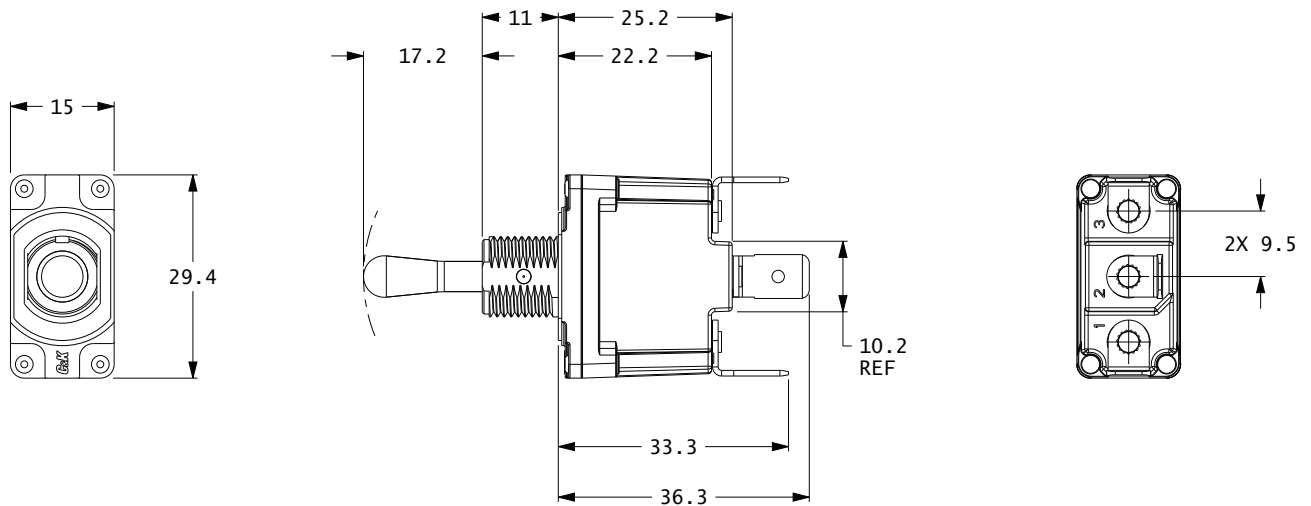
To order, simply select desired option from each category and place in the appropriate box. Available options are shown and described on pages F-53 thru F-56. For additional options not shown in catalog, consult Customer Service Center.



# PT Series Sealed Power Toggle Switch

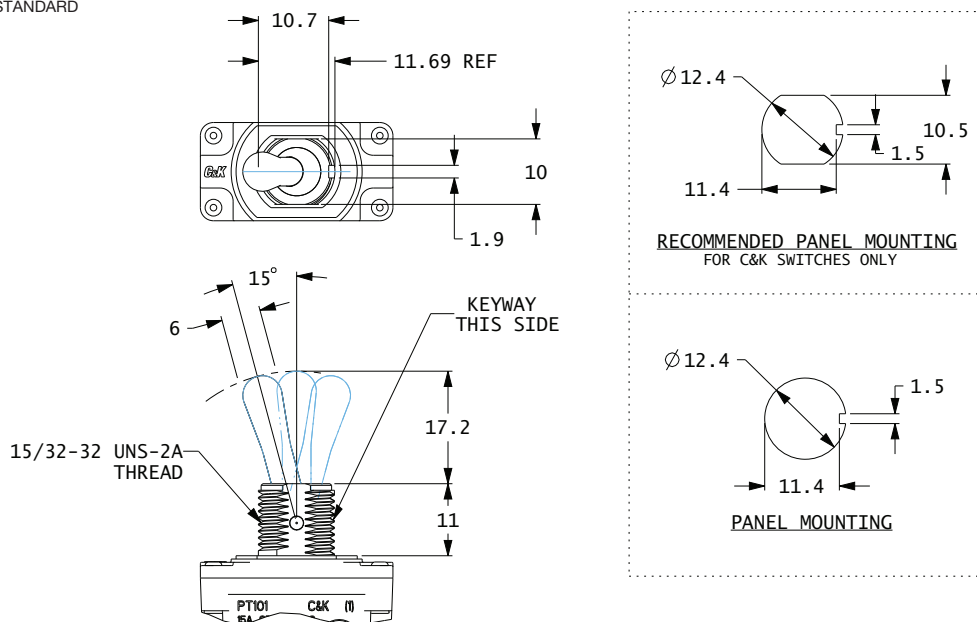
NO. POLES	MODEL NO.	SWITCH FUNCTION			CONNECTED TERMINALS			SCHEMATIC
		POS. 1	POS. 2	POS. 3	POS. 1	POS. 2	POS. 3	
SP	PT101	ON	NONE	ON	2-3	N/A	2-1	
	PT102*	ON	NONE	OFF	2-3	N/A	OPEN	
	PT103	ON	OFF	ON	2-3	OPEN	2-1	
	PT105	MOM	OFF	MOM				
	PT107	ON	OFF	MOM	2-3	N/A	2-1	
	PT108	ON	NONE	MOM				

\* PT102 OMIT TERMINAL 1



## ACTUATOR

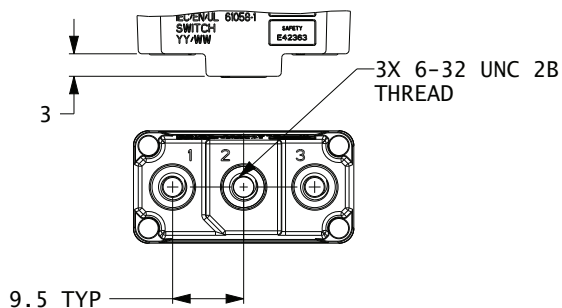
**S** STANDARD



Toggle  
F

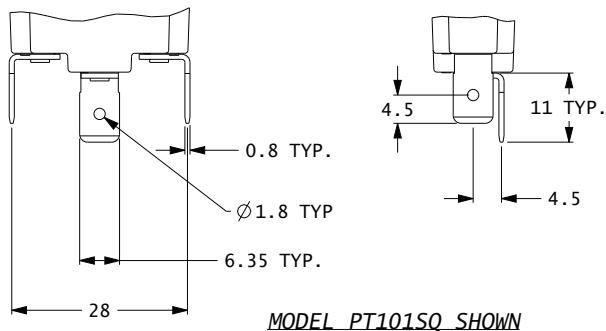
## TERMINALS

**S** SCREW TERMINAL



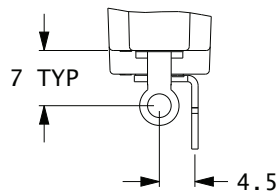
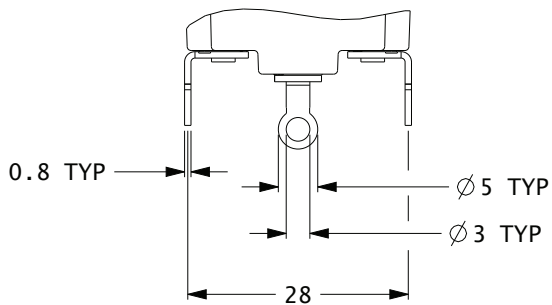
*MODEL PT101SS SHOWN*

**Q** QUICK CONNECT



*MODEL PT101SQ SHOWN*

**Z** SOLDER TERMINAL



*MODEL PT101SZ SHOWN*



**F**

**Toggle**