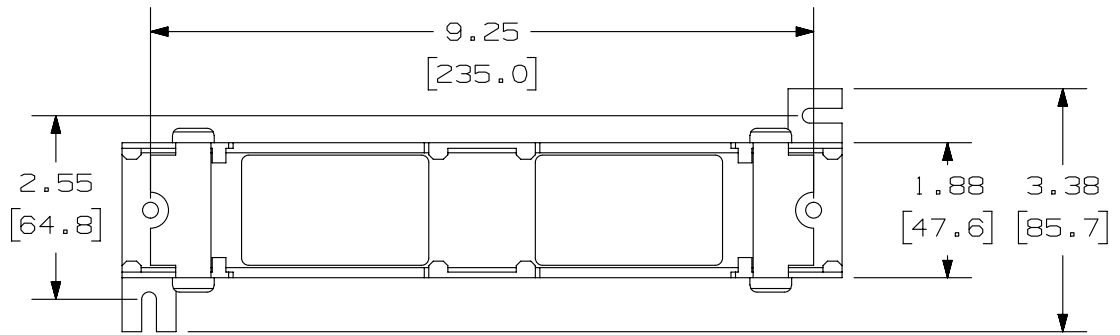


2

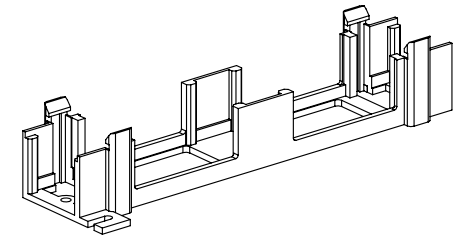
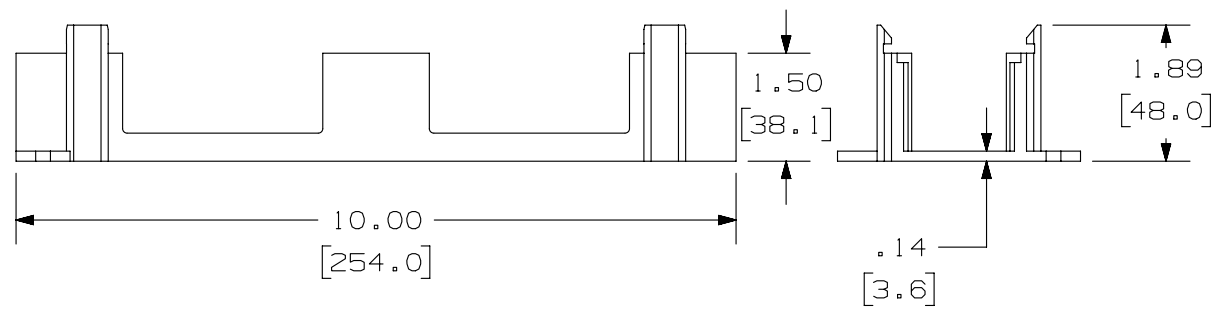
1

THIS COPY IS PROVIDED ON A RESTRICTED BASIS AND IS NOT TO BE USED IN ANY WAY DETRIMENTAL TO THE INTERESTS OF PANDUIT CORP.

PANDUIT P/N	WEIGHT
WB89D	1.6 LB/10 PCS (725g/10 PCS)



- NOTES:
1. SEE CURRENT CATALOG FOR ADDITIONAL PART NUMBER SUFFIXES TO INDICATE COLOR AND OR PACKAGE QUANTITY.
 2. SEE CATALOG FOR COMPLETE LIST OF PARTS APPLICABLE FOR USE WITH THIS PART.
 3. DIMENSIONS IN [] ARE IN METRIC.



PART NUMBER		WB89D	
TITLE		89D MOUNTING BRACKET	
		CUSTOMER DRAWING	
ITEM REVISION NAME		D35543BD/01	
DATASET FILE NAME		D35543BD_DC/01C	
UNLESS OTHERWISE SPECIFIED, DIMENSIONAL TOLERANCES ARE: IN [mm]		MATERIAL:	
.x ± .xxx ± .010 [.3]		THERMOPLASTIC	
.xx ± .03 [.8]		DRAWING NUMBER:	
ANGLES ±		35543-04	
THIRD ANGLE PROJECTION		SHT 1 OF 1	
DRAWN BY	DATE	CHK	SCALE
DW	3-19-96	CEF	NONE
REV	DATE	BY	CHK
4	5/21/14	JSP	REFR
APR	DESCRIPTION		ECN
MMR	REVISED AND REDRAWN, PREVIOUS REVISIONS HAVE BEEN OMITTED.		35543-04

D10100DA/14

2

1