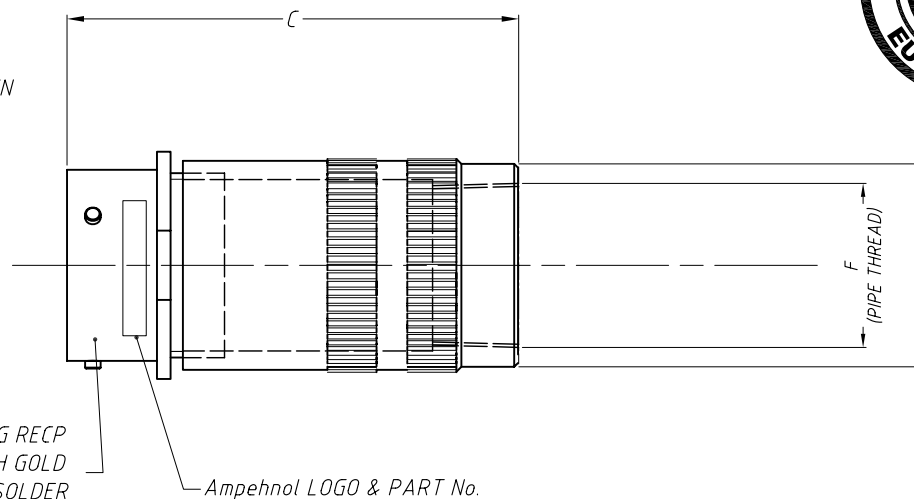
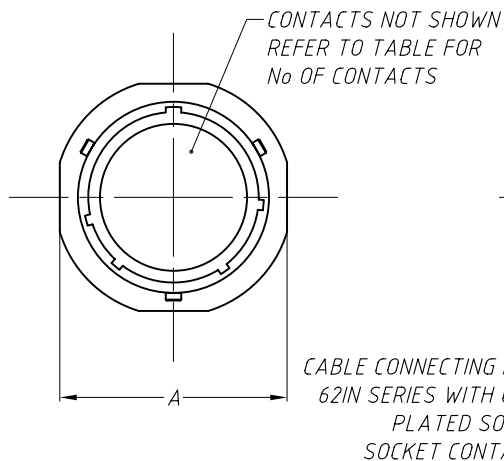


ISO VIEW
(FOR DUST CAP OPTION
REFER TO TABLE)



ITEM	PART No	DUST CAP OPTION	SHELL SIZE	No OF CONTACTS	A	DIA B	C $\pm \frac{5}{3}$	THREAD F
1	MP-6511-39S	NO	20	39	36.6	34	90	$\frac{3}{4}$ " - 14 NPT
2	MP-6511-39S-C	YES						
3	MP-6511-61S	NO	24	61	43.0	41	100	$\frac{3}{4}$ " - 14 NPT
4	MP-6511-61S-C	YES						

NOTES:

1. MATERIAL & FINISH: DIE CAST ALUMINUM ALLOY, BLACK FINISH
2. ASSEMBLY TO BE SUPPLIED WITH GOLD PLATED SOCKET CONTACTS

CUSTOMER DRAWING

UNLESS OTHERWISE SPECIFIED TOLERANCE TO BE		THIS DOCUMENT IS THE PROPERTY OF AMPHENOL AUSTRALIA PTY. LTD.. NO PART THEREOF MAY BE REPRODUCED AND USED WITHOUT THE PRIOR WRITTEN CONSENT OF THE OWNER				0	FIRST ISSUE	L.V	20-10-05	----
LINEAR	ANGULAR	CAD FILE: 55010309000121				DRN:	L.V	DATE:	20-10-05	TITLE:
X \pm 0.5	X° \pm 1°	MATERIAL: SEE NOTE 1				CKD:	M.P	DATE:	20/02/06	CABLE CONNECTING RECEPTACLE SOCKET CONTACTS
X.X \pm 0.1	X°X' \pm 30'	FINISH: SEE NOTE 2				APP'D:	M.P	DATE:	20/02/06	
X.XX \pm 0.05	X°X'X" \pm 15'	DIMENSIONS IN MILLIMETRES				SCALE:	NTS	PART No:	SEE TABLE	SIZE: A4
DO NOT SCALE		THIRD ANGLE PROJECTION				DRAWING NO.		Amphenol Amphenol Australia Pty.Ltd, 2 Fiveways Blvd, Keysborough, Vic.3173		
						SHEET		55010309-000-2		
						1 OF 2				