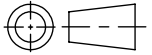
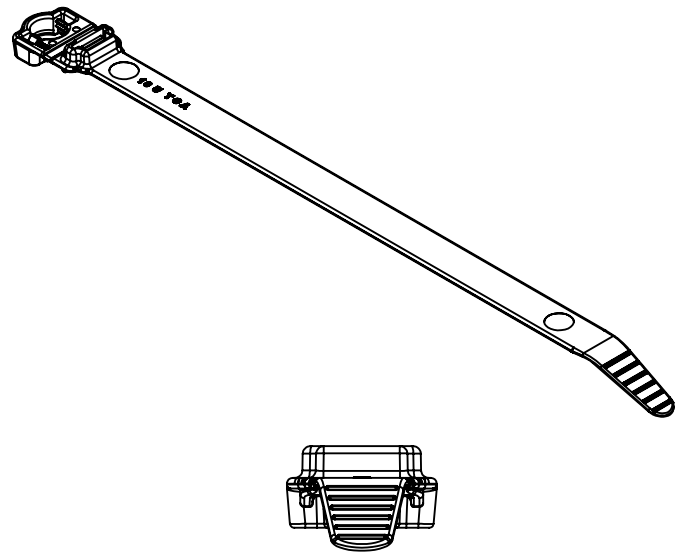
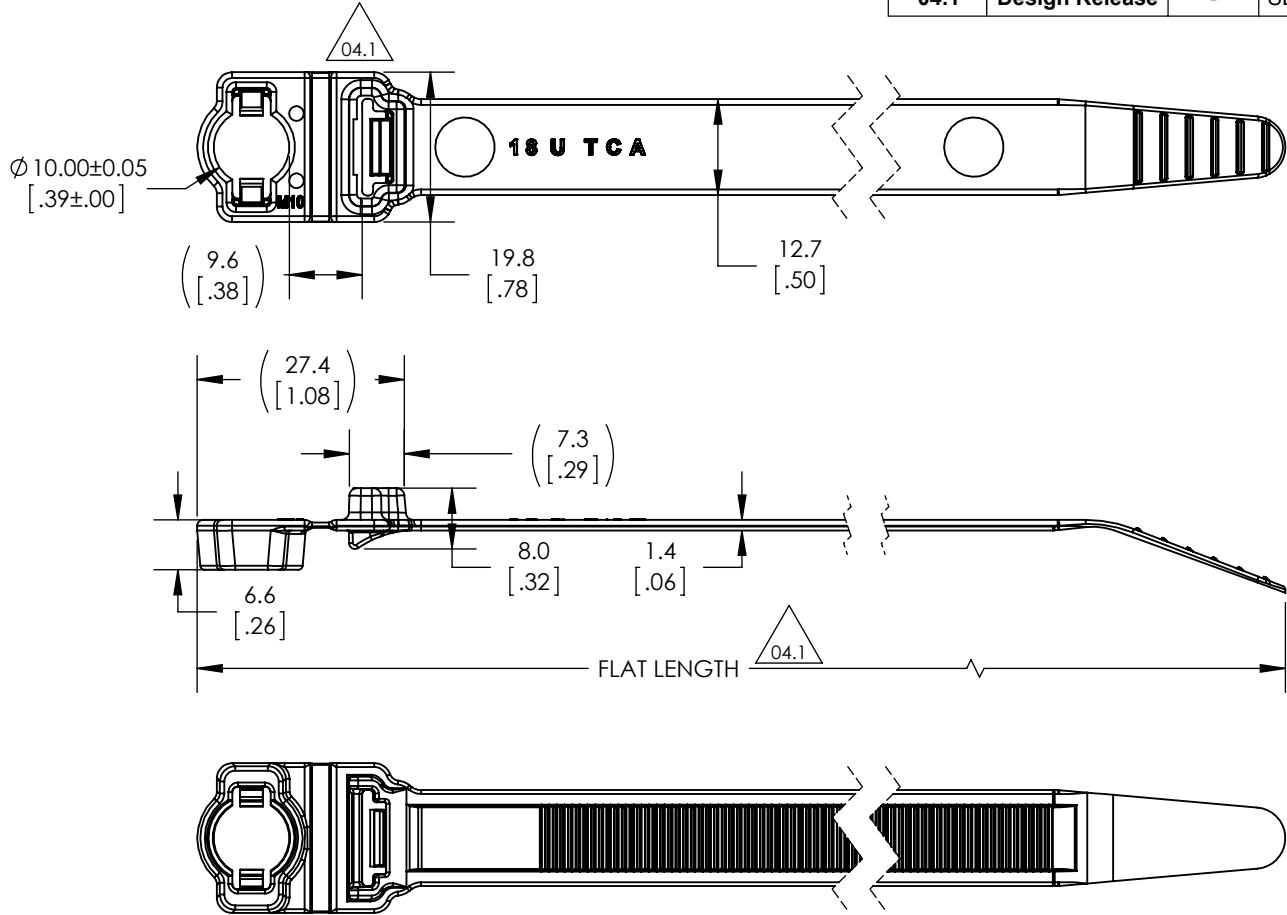


SW2015



Revision level			Revision Record	Changed	Date	Approved	Date
Drawing	State	Part					
04.1	Design Release	-	SEE ECN# 013696	CTF	1/27/2017	JG	1/27/2017



NOTE:
 MAXIMUM PERCENT REGRIND PERMISSIBLE: TBD%
 MAX ALLOWABLE FLASH OR MISMATCH TO BE: 0.2mm

- PERFORMANCE REQUIREMENTS (DRY AS MOLDED):**
- 10MM STUD PUSH ON FORCE: 10LBS MAX
 - 10MM STUD PULL OFF FORCE: 40LBS MIN
 - CABLE TIE LOOP TENSILE STRENGTH: 120LBS

PART NUMBER	FLAT LENGTH ± 6.35 mm (0.250 in)	MIN BUNDLE DIA	MAX BUNDLE DIA
WSS10MM	249 mm (9.8 in)	9.53 mm (0.375 in)	57.15 mm (2.25 in)
WSI10MM	326 mm (12.8 in)	9.53 mm (0.375 in)	82.55 mm (3.25 in)
WSR10MM	402 mm (15.8 in)	9.53 mm (0.375 in)	104.78 mm (4.125 in)

Material PA66HIRHSUV	Units: millimeters	The copyright of this drawing is reserved by HellermannTyton. It is issued on condition that it is not reproduced, copied, or disclosed to a third party, either wholly or in part, without the consent of HellermannTyton.	Drawn	WPT	08/11/2016	Article/Type-No SEE TABLE	Scale	1:1	
	Dimension without tolerances details to: .xxx = ±.013 .xx = ±.13 .x = ±.3 None = ±.8 ∠ = ±0.5° Dimension Formatted mm/[in]		Approved	MHT	08/11/2016		Title	M10 Wide Strap Stud Mount Tie	Project Number PRP 16-0365
	North America Email: corp@htamericas.com Web: www.hellermann.tyton.com			Drawing-No	Production : Phase		Format	AH	
				16-0365-001-CSU			Sheet	1/1	