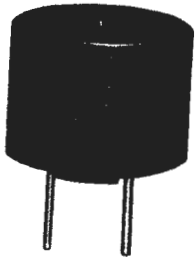


# ELECTRO ACOUSTIC TRANSDUCER

## BRT1209P-C Series - ROHS COMPLIANT

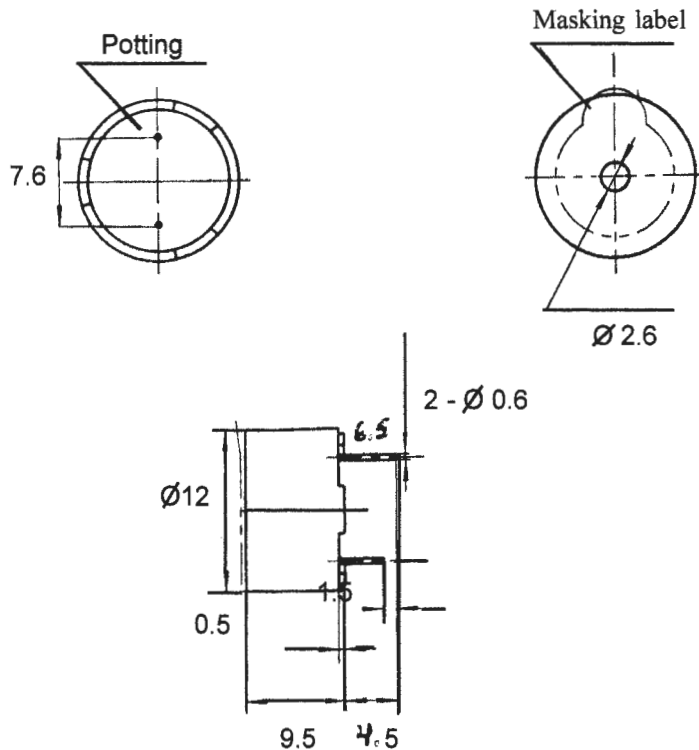
### FEATURES

- Ultra small
- Ready for dip soldering and flux washing
- Low current consumption



### APPLICATIONS

- Microwave oven, pocket pager, timer, electronic cash register, printer, copy machine, computer peripherals, POS system, electric typewriter, keyboard, telephone, automobile electronics, portable battery operated equipment



### SPECIFICATIONS

Model No.	BRT1209P-01-C	BRT1209P-06-C	BRT1209P-12-C
Rated Voltage DC (V)	1.5	6	12
Operating Voltage (V)	1.3 ~ 2	4 ~ 7	8 ~ 15
Rated Current (mA)	MAX.20	MAX.30	
Sound Output Level at 10cm (dB)	MIN. 75	MIN. 85	
Resonant Frequency (Hz)	2300 ± 400	2300 ± 300	
Temperature Range (°C)	-10 to +50	-25 to +80	
Weight (g)	2		
Dimensions (mm)	12D x 9.5H		

Tolerance: ± 0.5 mm

**INTERVOX**  
**International** ©

INTERNATIONAL COMPONENTS CORPORATION  
 215 MCCORMICK DRIVE, BOHEMIA, NY 11716  
 FAX: 631-952-9595 FAX: 631-952-9597

Title:

**Electro Acoustic Transducer**

Intervox Model #  
**BRT1209P-C Series**

Rev

Scale  
 mm

Date

Sheet 1 of 1