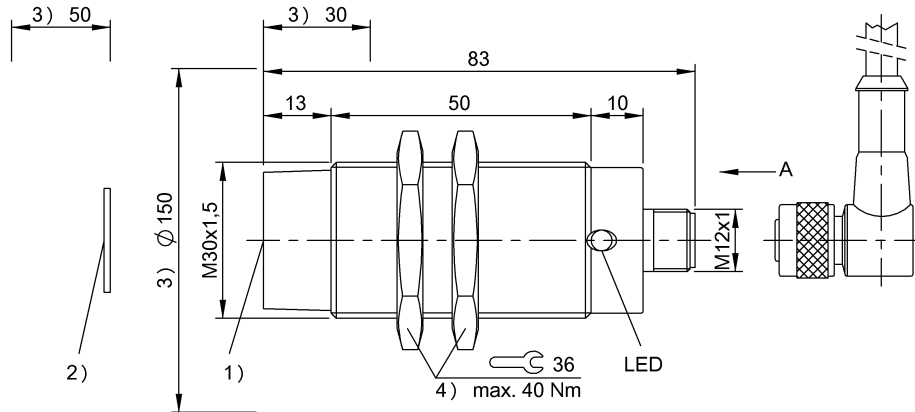


## BIS M-400-045-001-07-S4 BIS00LH



1) Sensing surface 2) Data carrier 3) Clear zone 4) Tightening torque



### Display/Operation

Function indicator	Power (ON) LED green TP (Tag Present) LED yellow
--------------------	-----------------------------------------------------------

### Electrical connection

Connection	M12x1-Connector, 4-pole, A-coded
------------	----------------------------------

### Electrical data

Current consumption max. at 24 V DC	150 mA
EN 300330-1	Power Class 5
Memory organization	32 × 8 bits
MTTF (40 °C)	154 a
Operating voltage $U_b$	18...30 VDC Supports only LPS/Class 2
Read cycles	Unlimited

### Environmental conditions

Ambient temperature	0...70 °C
EN 60068-2-27, Continuous shock load	yes
EN 60068-2-27, Shock	yes
EN 60068-2-6, Vibration	yes
Protection type IEC 60529	IP67
Storage temperature	-20...85 °C

### Functional safety

Diagnostic coverage	0 %
EN 60068-2-32 Free fall	yes

Functional safety	no
Mission Time	0 a

### General data

Antenna type	round
Approval/Conformity	UL-FILE E227256, Vol.X1, BIS CE
EN 55022	Size 1, Cl. A

### Material

Housing material	Brass, Nickel-plated brass nuts
Housing material, surface protection	nickel plates

### Mechanical data

Application weight	100.00 g
Dimension	Ø 30 x 83 mm
Installation	with clear zone (in steel)
Size	M30x1.5

### Output/Interface

Interface	IO-Link 1.1
IO-Link version	1.1

### Range/Distance

Residual ripple max.	1.3 Vpp
----------------------	---------

## BIS M-400-045-001-07-S4 BIS00LH

### Remarks

When installing, the technical standards and regulations of the corresponding countries must be observed.

Use included nuts for installation.

Values are under rated conditions unless otherwise specified.

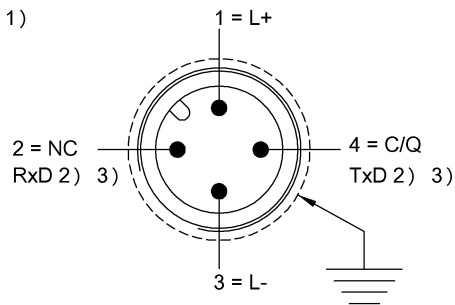
For basic equipment: Accessories see [www.balluff.com](http://www.balluff.com)

For installation in metal: Observe clear zone.

For further information on MTTF/B10d, please refer to the MTTF / B10d Certificate.

Specification of the MTTF value and the B10d value do not represent any binding quality and/or life expectancy guarantees.

### Connector view



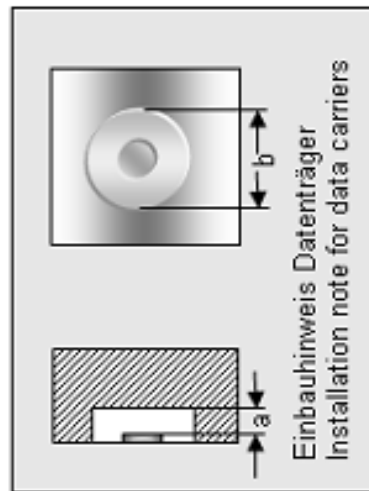
1) View towards connector 2) Service 3) (Only for Balluff Service)

BIS M-400-045-001-07-S4  
BIS00LH

Additional View

**BIS M-400-XXX-001-\_\_**

	BIS M-101-01/L	BIS M-102-01/L	BIS M-105-01/A	BIS M-105-02/A	BIS M-108-02/L
passende Datenträger Appropriate data carriers					
Abstand Datenträger zu Metall in mm ( <b>a</b> ) Data carrier distance to metal in mm	>25 >10 >5	>50 >15 >10	>20 >5	>20 >5	>25 >0
Freizone Datenträger in mm ( <b>b</b> ) Data carrier clear zone in mm	>100 >60 >50	>150 >90 >70	>100 >100	>100 >100	>100 >0
Schreibabstand in mm Write distance in mm	0-20 0-15 0-12	0-28 0-20 0-12	0-7 0-6	0-11 0-7	0-28 0-16
Lesabstand in mm Read distance in mm	0-20 0-15 0-12	0-28 0-20 0-12	0-7 0-6	0-11 0-7	0-28 0-16
Versatz in mm bei Abstand von	0 ±14 1 ±10 ±6	0-28 ±20 ±15 ±6	0-7 ±7 ±6	0-11 ±9 ±6	0-28 ±16 ±10
Offset in mm at distance	5 ±14 ±10 ±6	±20 ±15 ±6	±7 ±6	±8 ±6	±16 ±10
	9 ±14 ±8 ±4	±20 ±15 ±3	±7 ±6	±5	±14 ±8
	12 ±10 ±4 ±2	±20 ±13 ±2			±14 ±6
	15 ±10 ±2	±20 ±10			±14 ±6
	16 ±8	±18 ±3			±14 ±4
	18 ±6	±16			±14
	20 ±5	±15			±14
	22	±15			±12
	25	±10			±12
	30				
	32				
	36				
	40				
	43				
	45				
	50				
	52				
	60				
	65				
	70				



BIS M-400-045-001-07-S4  
BIS00LH

## BIS M-400-xxx-001-\_\_

	BIS M-110-02/L	BIS M-111-02/L	BIS M-112-02/L	BIS M-132-03/L- HT	BIS M-135-03/L- HT
passende Datenträger Appropriate data carriers					
Abstand Datenträger zu Metall in mm ( a ) Data carrier distance to metal in mm	>25 >10 >5	>25 >10 >5	>50 >15 >10	>25 >0	>50
Freizone Datenträger in mm ( b ) Data carrier clear zone in mm	>100 >60 >50	>100 >60 >50	>150 >90 >70	>100 >100	>150
Schreibabstand in mm Write distance in mm	0-20 0-15 0-8	0-28 0-18 0-10	0-38 0-25 0-15	0-30 0-8	0-42
Leseabstand in mm Read distance in mm	0-20 0-15 0-8	0-28 0-18 0-10	0-38 0-25 0-15	0-30 0-8	0-42
Versatz in mm bei Abstand von Offset in mm at distance	0 5 ±12 ±8 ±6 7 ±10 ±6 ±4 8 ±10 ±6 ±2 9 ±10 ±6 10 ±8 ±4 12 ±8 ±4 15 ±8 ±2 16 ±5 18 ±5 20 ±5 22 25 30 32 35 38 42 45 50 55	±16 ±10 ±7 ±16 ±10 ±7 ±14 ±8 ±2 ±14 ±8 ±2 ±14 ±8 ±2 ±14 ±7 ±1 ±14 ±7 ±14 ±6 ±14 ±3 ±14 ±2 ±14 ±12 ±12	±22 ±16 ±13 ±22 ±16 ±13 ±22 ±14 ±10 ±22 ±14 ±10 ±22 ±14 ±10 ±20 ±13 ±8 ±20 ±13 ±8 ±20 ±12 ±6 ±20 ±10 ±20 ±10 ±20 ±8 ±20 ±6 ±20 ±4 ±16 ±10 ±10 ±5	±18 ±8 ±18 ±8 ±18 ±6 ±18 ±3 ±18 ±18 ±18 ±18 ±16 ±16 ±5	±30 ±30 ±30 ±30 ±30 ±30 ±28 ±28 ±28 ±28 ±28 ±24 ±24 ±24 ±5 ±5

