

# ARTESYN AIF-CASE-KIT FOR AIF PFC UNITS

AIF-CASE-KIT



[DATA SHEET](#)

The AIF case kit is for AIF series of high voltage DC-DC converters which comprises six single output models offering voltages of 1.8 V, 3.3 V, 5.0 V, 12 V, 15 V or 24 V. Designed for use with power factor correction (PFC) modules, the converters accept a wide range input of 250 to 420 Vdc.

## SPECIAL FEATURES

- Metal casing kit for all AIF\*\*ZPFC modules and AIF series DCDC converters
- Shield and Insulator provided
- Insulator material 94VTM-0
- To be placed before soldering
- Provides additional radiated EMI screening function
- Fits all AIF series PFC and DCDC modules

Note: Module not included in the Case-kit

## APPROVALS

- UL approved materials

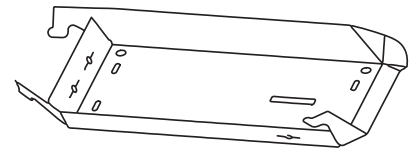
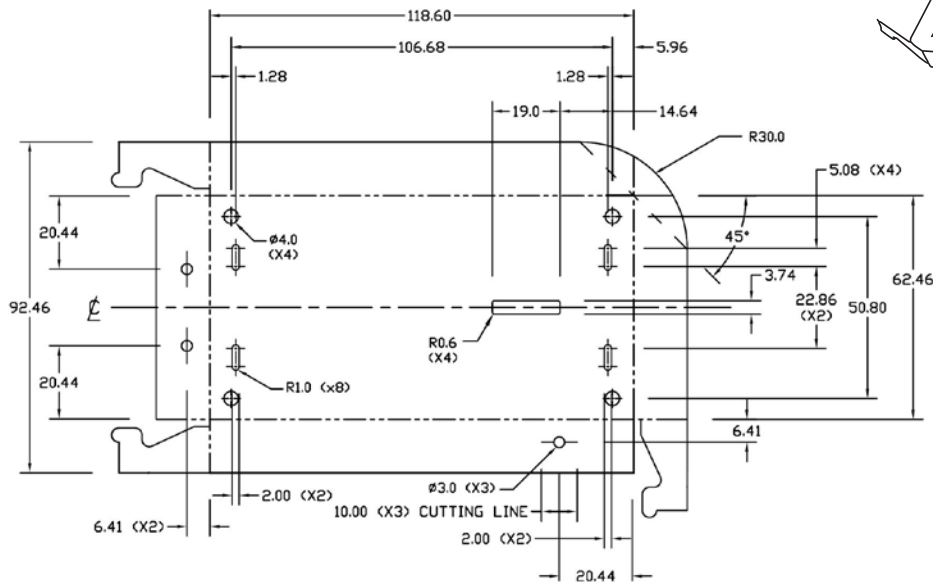
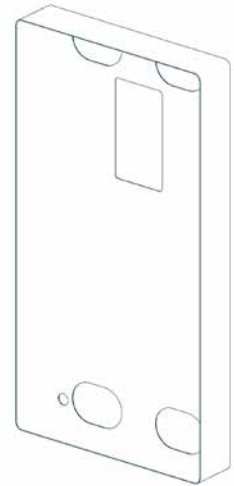
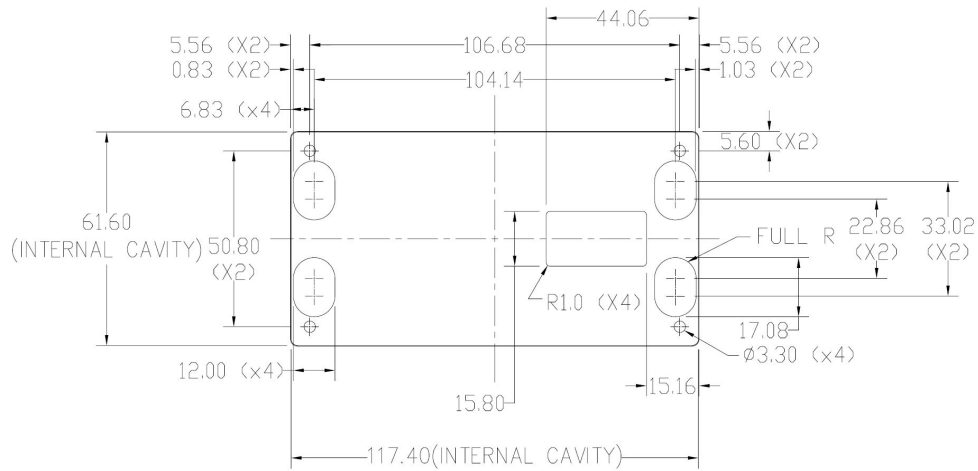
# AIF-CASE-KIT

## TECHNICAL DATA

Mechanical Specifications	
To fit all AIF full brick series Pin-out	Compliant
To fit all AIF full brick series Pin-out	116.8 m (4.6 inch)
Module Height	12.7 mm (0.5 inch)
Module Width	60.96 mm (2.4 inch)

Ordering Information		
Model	PFC Unit compatibility	DCDC unit compatibility
AIF-CASE-KIT	AIF04ZPFC**L, AIF06ZPFC**L	AIF*****L

Note,



DELIVERED SHAPE  
(FOLD ALL INWARD BENDING LINE ONLY)



For international contact information,  
visit [advancedenergy.com](http://advancedenergy.com).

[powersales@aei.com](mailto:powersales@aei.com) (Sales Support)  
[productsupport.ep@aei.com](mailto:productsupport.ep@aei.com) (Technical Support)  
+1 888 412 7832

## ABOUT ADVANCED ENERGY

Advanced Energy (AE) has devoted more than three decades to perfecting power for its global customers. AE designs and manufactures highly engineered, precision power conversion, measurement and control solutions for mission-critical applications and processes.

Our products enable customer innovation in complex applications for a wide range of industries including semiconductor equipment, industrial, manufacturing, telecommunications, data center computing, and medical. With deep applications know-how and responsive service and support across the globe, we build collaborative partnerships to meet rapid technological developments, propel growth for our customers, and innovate the future of power.

PRECISION | POWER | PERFORMANCE

---

Specifications are subject to change without notice. Not responsible for errors or omissions. ©2020 Advanced Energy Industries, Inc. All rights reserved. Advanced Energy®, AE® and Artesyn™ are U.S. trademarks of Advanced Energy Industries, Inc.

# Mouser Electronics

Authorized Distributor

Click to View Pricing, Inventory, Delivery & Lifecycle Information:

[Artesyn Embedded Technologies:](#)

[AIF-CASE-KIT](#)