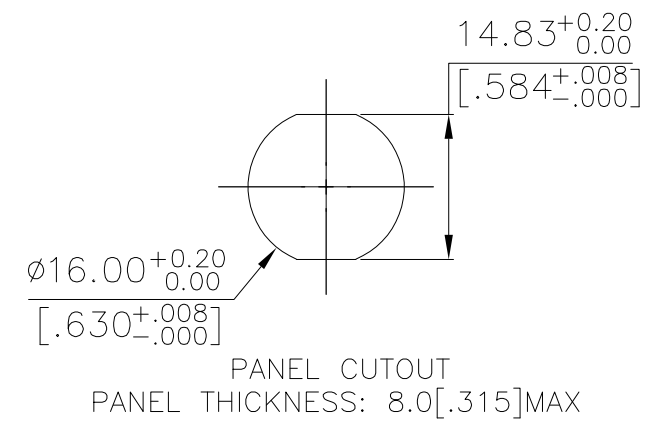
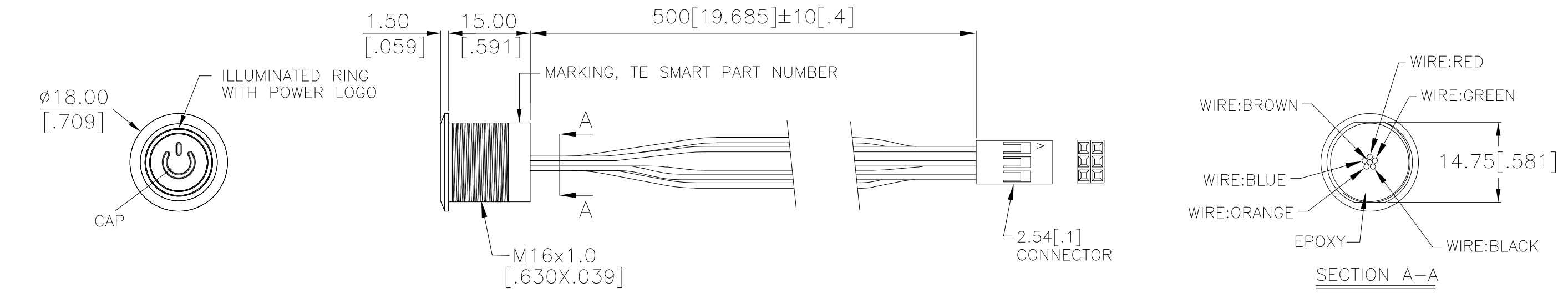
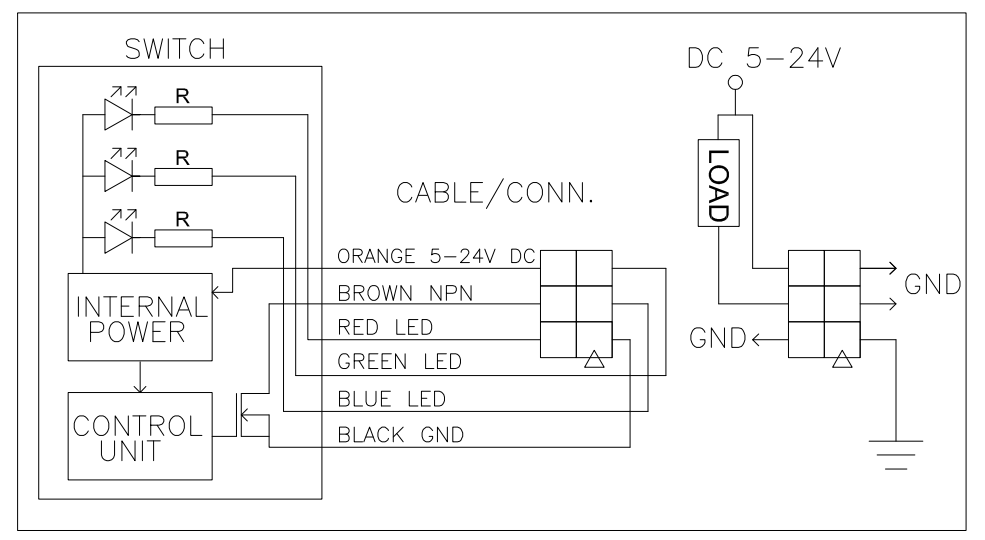
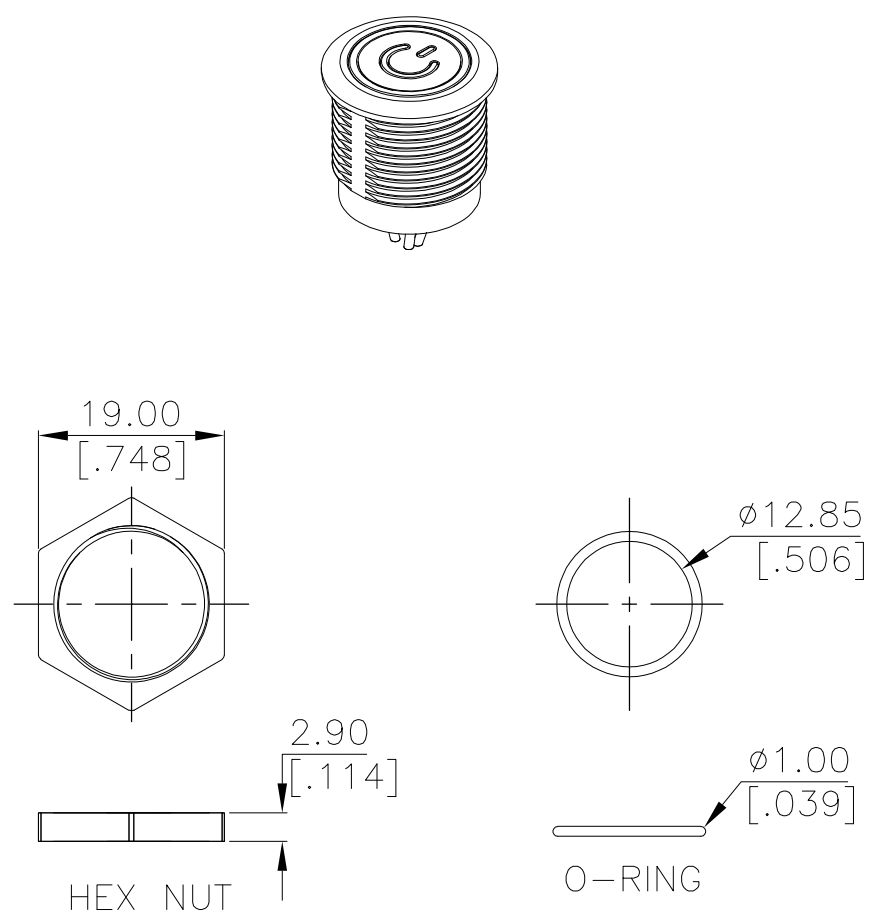


THIS DRAWING IS UNPUBLISHED. RELEASED FOR PUBLICATION  
 © COPYRIGHT - TE Connectivity Ltd. ALL RIGHTS RESERVED.

REVISIONS					
P	LTR	DESCRIPTION	DATE	DWN	APVD
3		DRAWING UPDATED	19DEC2018	RSM	AS



INDICATOR			
SWITCH	LED		
	RED	GREEN	BLUE
OFF	CUSTOMER DEFINED		
ON	CUSTOMER DEFINED		



APPLICATION DIAGRAM

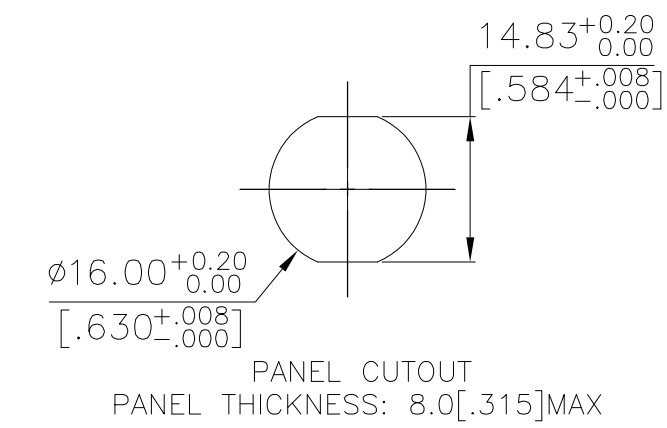
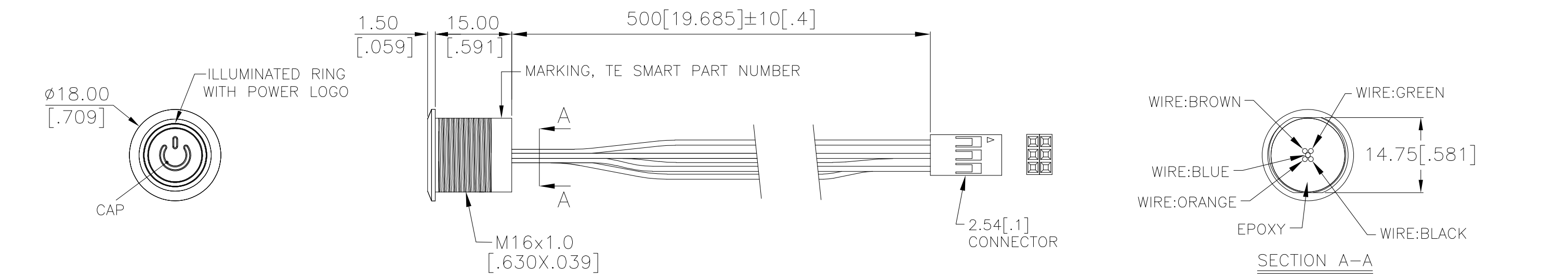
APPLICABLE FOR TE P/N:
2342833-1
2342833-3
2342833-5
2342833-7
2342833-8
2342833-9

**PRELIMINARY**

THIS DRAWING IS A CONTROLLED DOCUMENT.		DWN 29SEP2018 GANESH C M	TE Connectivity Ltd.			
DIMENSIONS: mm [INCHES]		CHK 29SEP2018 ALEXANDER SHARPE				
TOLERANCES UNLESS OTHERWISE SPECIFIED:		APVD 29SEP2018 ALEXANDER SHARPE	NAME			
0 PLC ± - 1 PLC ± 0.4 [.016] 2 PLC ± 0.25 [.010] 3 PLC ± - 4 PLC ± - ANGLES ± -		PRODUCT SPEC	SWITCH,AV,CAPACITIVE,16mm,FL BTN, ILLUM RING W/POWER LOGO,LED, LEADED W/2x3 REC			
MATERIAL		APPLICATION SPEC	SIZE	CAGE CODE	DRAWING NO	RESTRICTED TO
FINISH		WEIGHT	A3	00779	C-2342833	-
CUSTOMER DRAWING			SCALE	SHEET	REV	
			NTS	1 of 3	3	

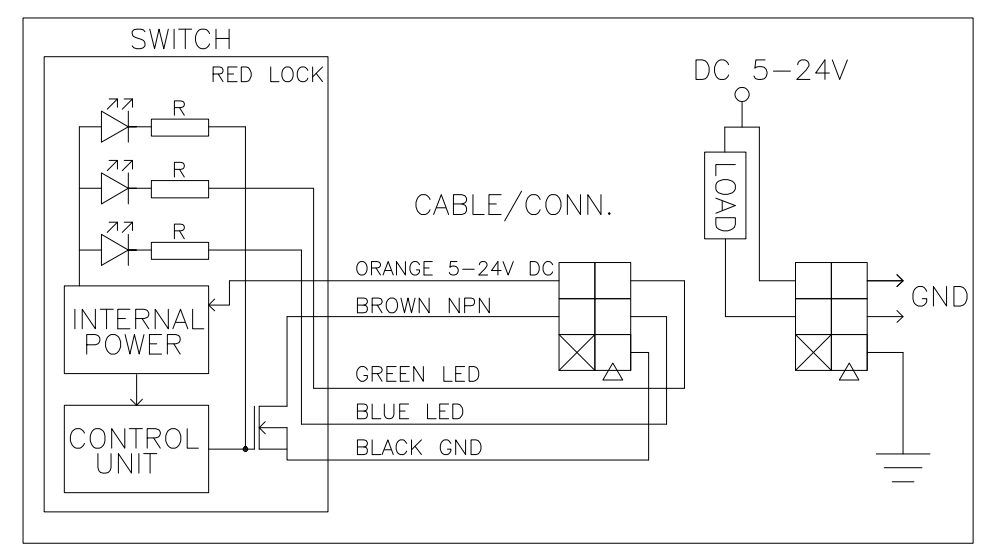
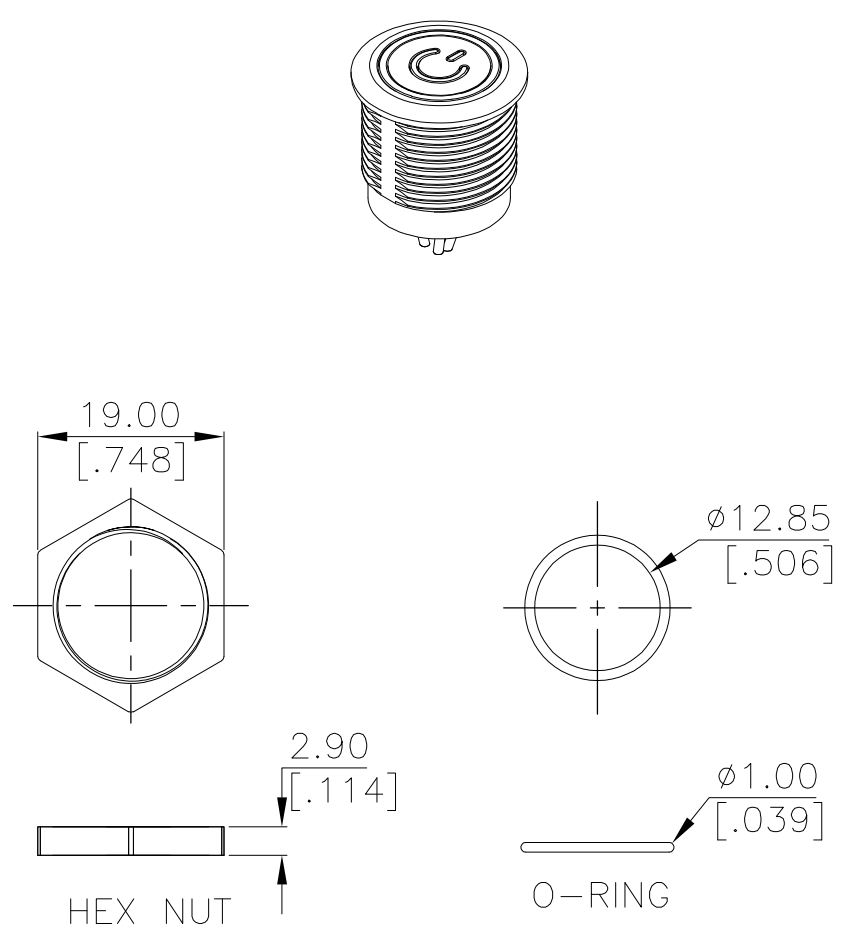
THIS DRAWING IS UNPUBLISHED. RELEASED FOR PUBLICATION  
 © COPYRIGHT - TE Connectivity Ltd. ALL RIGHTS RESERVED.

REVISIONS					
P	LTR	DESCRIPTION	DATE	DWN	APVD
-	-	SEE SHEET 1	-	-	-



INDICATOR			
SWITCH	LED		
	RED	GREEN	BLUE
OFF	ON	CUSTOMER DEFINED	
ON	OFF	CUSTOMER DEFINED	

APPLICABLE FOR TE P/N:
2342833-2
2342833-4
2342833-6



APPLICATION DIAGRAM

**PRELIMINARY**

THIS DRAWING IS A CONTROLLED DOCUMENT.		DWN GANESH C M 29SEP2018	TE Connectivity Ltd.		
DIMENSIONS: mm [INCHES]		CHK ALEXANDER SHARPE 29SEP2018			
TOLERANCES UNLESS OTHERWISE SPECIFIED:		APVD ALEXANDER SHARPE 29SEP2018	NAME SWITCH,AV,CAPACITIVE,16mm,FL BTN, ILLUM RING W/POWER LOGO,LED, LEADED W/2x3 REC		
0 PLC ± - 1 PLC ± 0.4 [.016] 2 PLC ± 0.25 [.010] 3 PLC ± - 4 PLC ± - ANGLES ± -		PRODUCT SPEC -	SIZE A3	CAGE CODE 00779	DRAWING NO C-2342833
MATERIAL -		FINISH -	RESTRICTED TO -		SCALE NTS
CUSTOMER DRAWING			SHEET 2 of 3	REV 3	


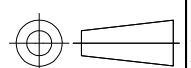
THIS DRAWING IS UNPUBLISHED. RELEASED FOR PUBLICATION  
 © COPYRIGHT - TE Connectivity Ltd. ALL RIGHTS RESERVED.

REVISIONS					
P	LTR	DESCRIPTION	DATE	DWN	APVD
	-	SEE SHEET 1	-	-	-

NOTES:

- SPECIFICATIONS:
  - OPERATING LIFE: 50 MILLION CYCLES MIN.
  - ACTUATION FORCE: TOUCH, ZERO FORCE
  - RATING: 5-24 VDC@1A MAX.
  - CONTACT RESISTANCE: 1Ω MAX.
  - CURRENT DRAW WITHOUT ILLUMINATION: 2mA MAXIMUM
  - CURRENT DRAW WITH ILLUMINATION: 10mA MAXIMUM
  - OUTPUT MODE: NPN TRANSISTOR
  - OPERATING TEMPERATURE: -20° TO 65°C [-4° TO 149°F]
  - STORAGE TEMPERATURE: -40° TO 85°C [-40° TO 185°F]
  - INGRESS PROTECTION: IP68, PANEL SIDE
  - MOUNTING TORQUE: 2.5Nm MAXIMUM
- MATERIAL:
  - SEALING: SILICONE, EPOXY
  - O-RING: SILICONE
  - HEX NUT: NICKEL PLATED BRASS
  - WIRE: UL3385, UL10368 OR EQUIVALENT
  - BUSHING: SEE TABLE
  - CAP: SEE TABLE
- PACKAGING: SWITCH ASSEMBLIES ARE INDIVIDUALLY BUNDLED WITH ESD PROTECTION. HARDWARE IS NOT ASSEMBLED TO THE SWITCH.
- COMPLIANCE: THE CURRENT STATEMENT OF COMPLIANCE IS AVAILABLE AT TE.COM.
- HARDWARE IS SHIPPED UNASSEMBLED.

PC; STAINLESS STEEL	STAINLESS STEEL 316	RGB	MOMENTARY	AVC16MS16FE1DT5B04	2342833-9
PC; STAINLESS STEEL	STAINLESS STEEL 304	RGB	MOMENTARY	AVC16MS04FE1DT5B04	2342833-8
PC; ALUMINUM	ALUMINUM	RGB	MOMENTARY	AVC16MAIOFE1DT5B04	2342833-7
PC; STAINLESS STEEL	STAINLESS STEEL 316	RED LOCK	LOCKING	AVC16LS16FE13T5B04	2342833-6
PC; STAINLESS STEEL	STAINLESS STEEL 316	RGB	LOCKING	AVC16LS16FE1DT5B04	2342833-5
PC; STAINLESS STEEL	STAINLESS STEEL 304	RED LOCK	LOCKING	AVC16LS04FE13T5B04	2342833-4
PC; STAINLESS STEEL	STAINLESS STEEL 304	RGB	LOCKING	AVC16LS04FE1DT5B04	2342833-3
PC; ALUMINUM	ALUMINUM	RED LOCK	LOCKING	AVC16LAIOFE13T5B04	2342833-2
PC; ALUMINUM	ALUMINUM	RGB	LOCKING	AVC16LAIOFE1DT5B04	2342833-1
CAP MATERIAL	BUSHING MATERIAL	LED COLOR	CONTACT CONFIGURATION	TE SMART PART NUMBER	PART NUMBER

THIS DRAWING IS A CONTROLLED DOCUMENT.		DWN 29SEP2018 GANESH C M	 TE Connectivity Ltd.		
DIMENSIONS: mm [INCHES]		CHK 29SEP2018 ALEXANDER SHARPE			
		APVD 29SEP2018 ALEXANDER SHARPE	NAME SWITCH,AV,CAPACITIVE,16mm,FL BTN, ILLUM RING W/POWER LOGO,LED, LEADED W/2x3 REC		
TOLERANCES UNLESS OTHERWISE SPECIFIED:		PRODUCT SPEC	SIZE		
0 PLC ± -	1 PLC ± 0.4[.016]	APPLICATION SPEC	CAGE CODE	DRAWING NO	RESTRICTED TO
2 PLC ± 0.25[.010]	3 PLC ± -	WEIGHT	A3 00779	C=2342833	-
4 PLC ± -	ANGLES ± -	CUSTOMER DRAWING	SCALE	SHEET	REV
MATERIAL -	FINISH -		NTS	3 OF 3	3

**PRELIMINARY**

# Mouser Electronics

Authorized Distributor

Click to View Pricing, Inventory, Delivery & Lifecycle Information:

[TE Connectivity:](#)

[2342833-6](#)