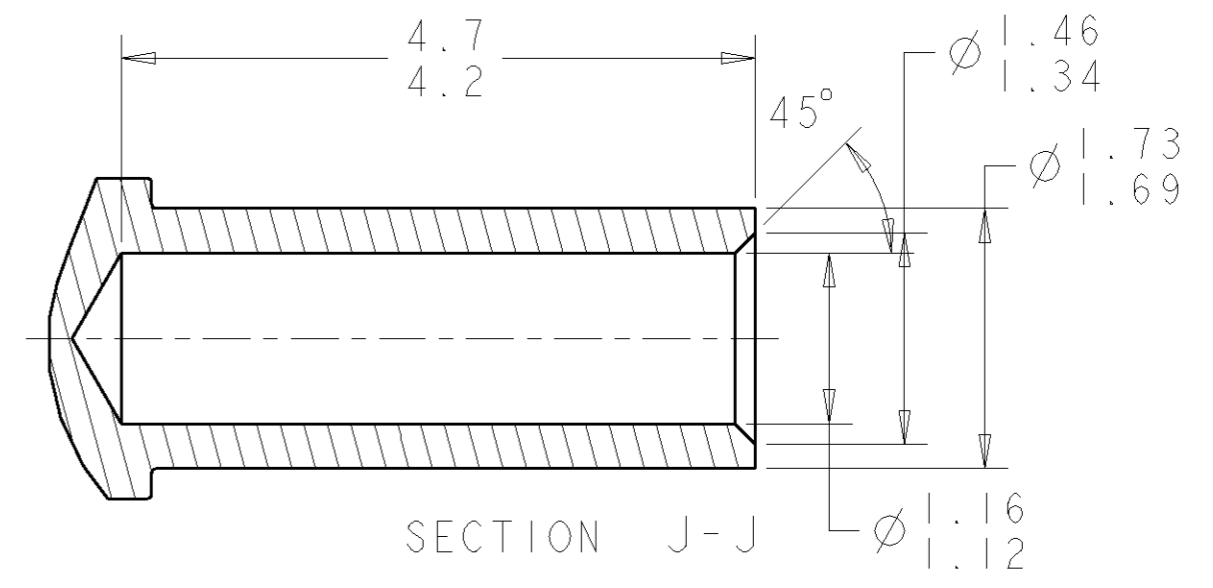
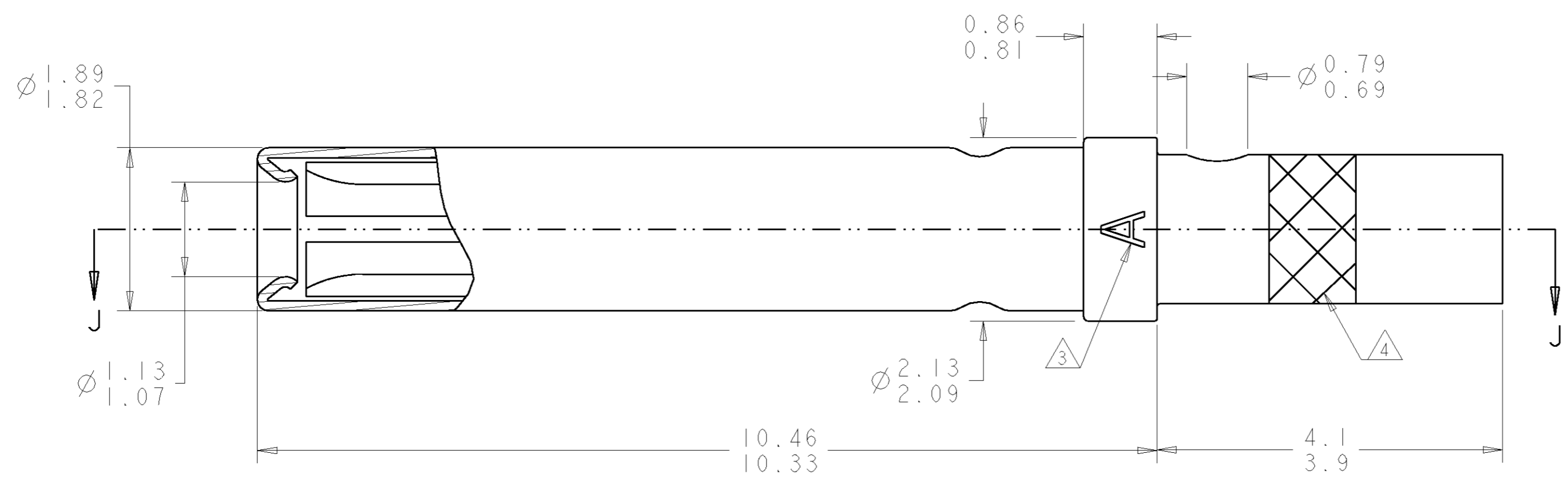


THIS DRAWING IS UNPUBLISHED. RELEASED FOR PUBLICATION 20
 © COPYRIGHT 20 BY TYCO ELECTRONICS CORPORATION. ALL RIGHTS RESERVED.

LOC	DIST	REVISIONS					
DF	A5	P	LTR	DESCRIPTION	DATE	DWN	APVD
		1		PROPOSED	08APR2005	BW	JPM



- ① CONTACT: COPPER ALLOY PER ASTM B196
SLEEVE: STAINLESS STEEL PER AISI 305
- ② CONTACT: 1.27µm MIN GOLD PER ASTM B488 OVER 2.54µm
MIN NICKEL PER QQ-N-290 ON ENTIRE STOCK.
- ③ OPTIONAL ALTERNATE MARKING: LETTER "S"
- ④ RED COLOR BAND
- 5. APPLICABLE WIRE SIZE: 20-22-24 AWG
WIRE INSULATION DIAMETER: 1.8 mm MAX
INSULATION STRIP LENGTH: 3.65-4.15 mm
- 6. APPLICATION TOOLING:
CRIMPING TOOL: TYCO PART NUMBER 601966-1 (M22520/2-01)
POSITIONER: TYCO PART NUMBER 601966-5 (M22520/2-08)
SELECTOR POSITION: AWG 20: 7
AWG 22: 6
AWG 24: 5
CONTACT INSERTION/EXTRACTION TOOL: 91067-2 (M81969/1-02)
- 7. THIS PRODUCT IS SOLD BY TYCO ELECTRONICS UNDER A LICENSE FROM RADIAL SA.

1738012-1
PART NUMBER

THIS DRAWING IS A CONTROLLED DOCUMENT FOR TYCO ELECTRONICS CORPORATION IT IS SUBJECT TO CHANGE AND THE CONTROLLING ENGINEERING ORGANIZATION SHOULD BE CONTACTED FOR THE LATEST REVISION.		DWN BW 08APR2005	Tyco Electronics Harrisburg, PA 17105-3608	
DIMENSIONS: mm		CHK JPM 08APR2005	NAME SOCKET CONTACT ASSEMBLY, SIZE 20, GPR	
TOLERANCES UNLESS OTHERWISE SPECIFIED: 0 PLC ± 1 PLC ± 2 PLC ± 3 PLC ± 4 PLC ± ANGLES ± FINISH		APVD JPM 08APR2005	PRODUCT SPEC -	RESTRICTED TO -
MATERIAL ①		APPLICATION SPEC -	WEIGHT -	SIZE A200779
		CUSTOMER DRAWING	SCALE 20:1	DRAWING NO 1738012
			SHEET 1	REV 1

Mouser Electronics

Authorized Distributor

Click to View Pricing, Inventory, Delivery & Lifecycle Information:

[TE Connectivity:](#)

[1738012-1](#)