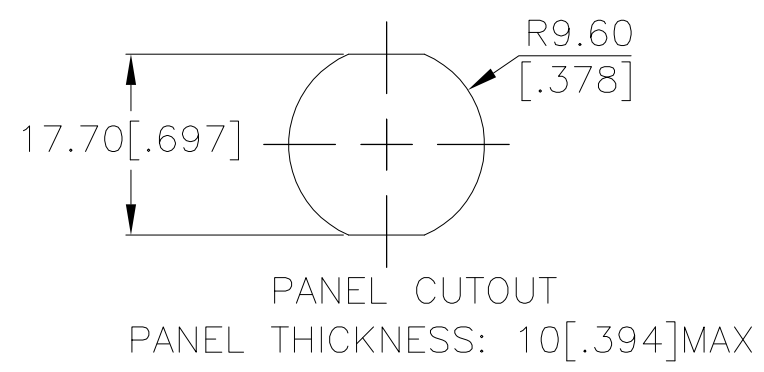
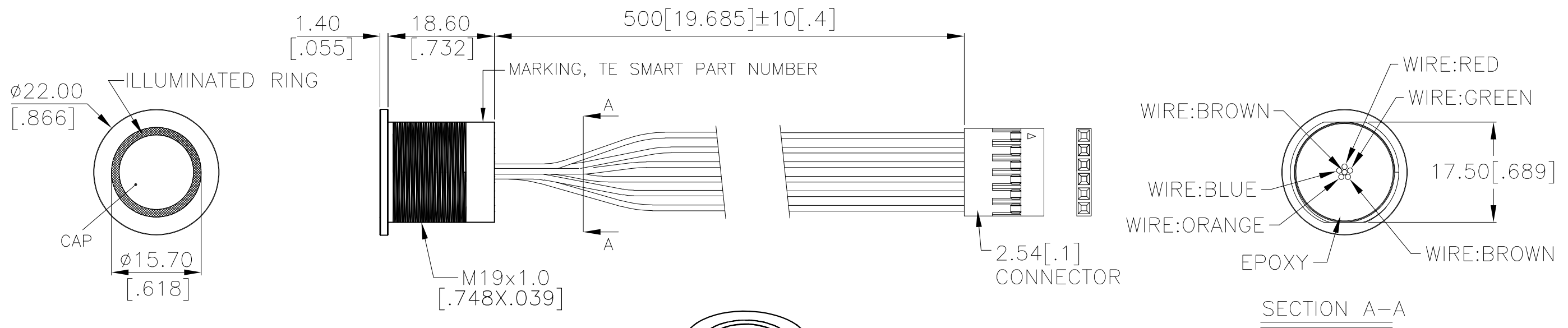
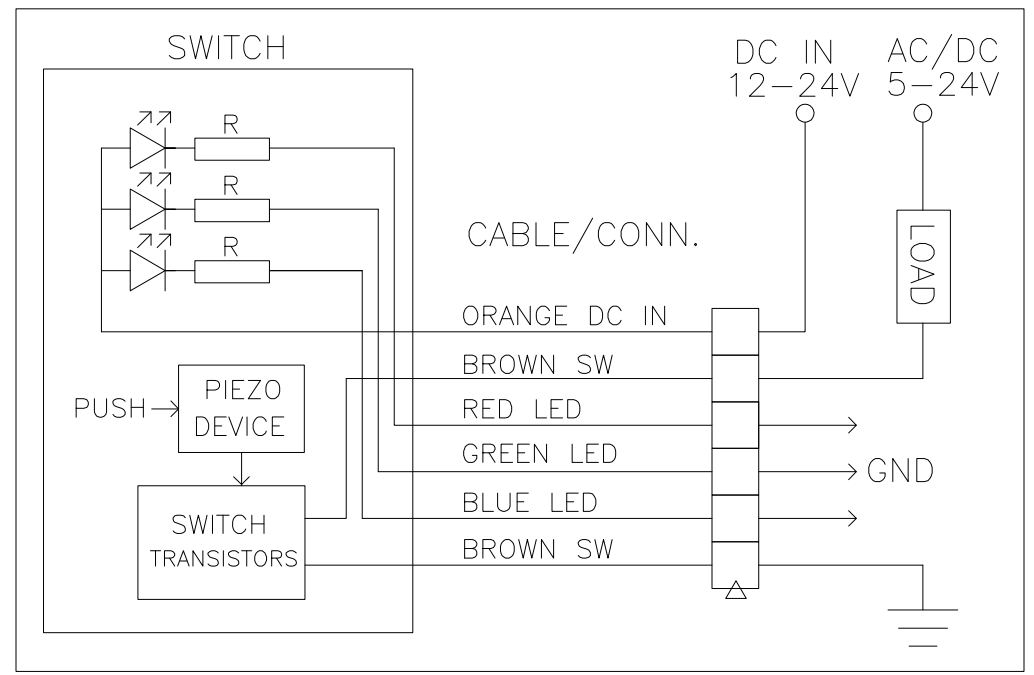
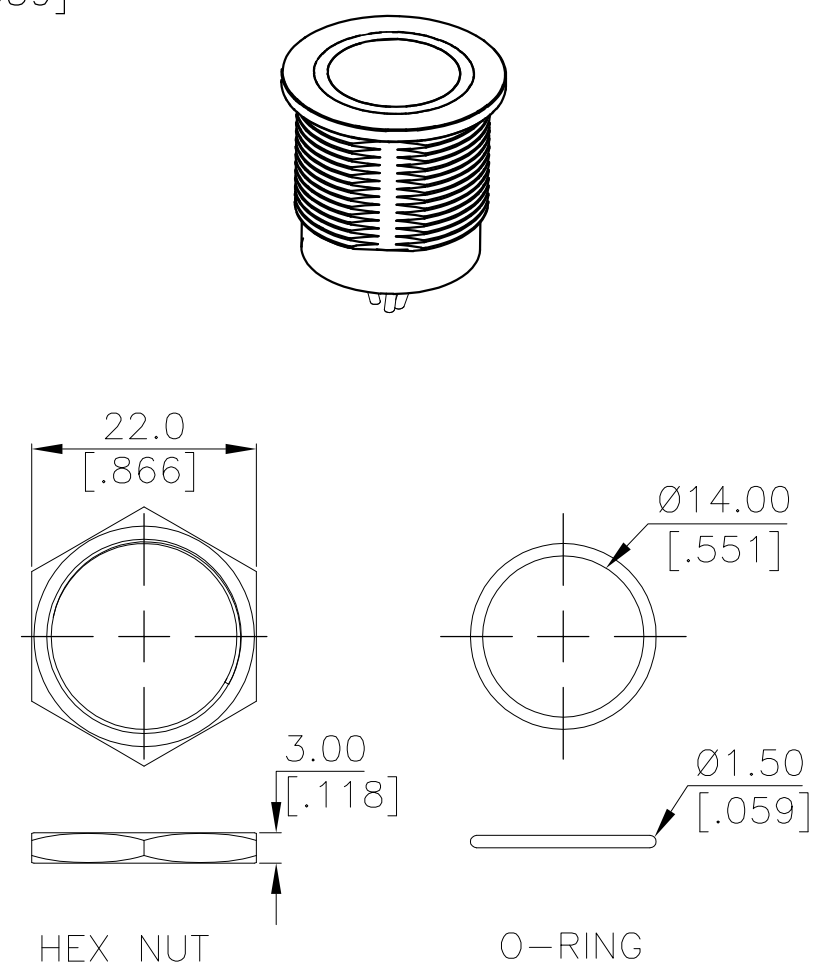


THIS DRAWING IS UNPUBLISHED. RELEASED FOR PUBLICATION
 © COPYRIGHT - TE Connectivity Ltd. ALL RIGHTS RESERVED.

REVISIONS					
P	LTR	DESCRIPTION	DATE	DWN	APVD
3		DRAWING UPDATED	20DEC2018	RSM	AS



INDICATOR			
SWITCH	LED		
	RED	GREEN	BLUE
OFF	CUSTOMER DEFINED		
ON	CUSTOMER DEFINED		



APPLICATION DIAGRAM

PRELIMINARY

THIS DRAWING IS A CONTROLLED DOCUMENT.		DWN GANESH C M 29SEP2018	TE Connectivity Ltd.				
DIMENSIONS: mm [INCHES]		CHK ALEXANDER SHARPE 29SEP2018					
TOLERANCES UNLESS OTHERWISE SPECIFIED:		APVD ALEXANDER SHARPE 29SEP2018	NAME				
0 PLC ± - 1 PLC ± 0.4 [0.016] 2 PLC ± 0.25 [0.010] 3 PLC ± - 4 PLC ± - ANGLES ± -		PRODUCT SPEC	SWITCH, AV, PIEZO, 19mm, FL BTN, ILLUM RING, LED, LEADED W/ 1x6 REC				
MATERIAL		FINISH	APPLICATION SPEC	SIZE	CAGE CODE	DRAWING NO	RESTRICTED TO
-		-	-	A3	00779	C-2342839	-
CUSTOMER DRAWING			WEIGHT	SCALE	SHEET	REV	
				NTS	1 OF 2	3	

THIS DRAWING IS UNPUBLISHED. RELEASED FOR PUBLICATION
 © COPYRIGHT - TE Connectivity Ltd. ALL RIGHTS RESERVED.

REVISIONS					
P	LTR	DESCRIPTION	DATE	DWN	APVD
	-	SEE SHEET 1	-	-	-

NOTES:

1. SPECIFICATIONS:

1. OPERATING LIFE: 50 MILLION CYCLES MIN.
2. ACTUATION FORCE: 2 N - 5 N [0.45 LBF - 1.12 LBF]
3. RATING: 5-24 VDC@1A MAX., 5-24 VAC@1A MAX.
4. CONTACT RESISTANCE: 1Ω MAX.
5. LED: 12-24 VDC
6. TYPE: MOMENTARY PULSE, 200mS MIN.
7. OUTPUT MODE: TRANSISTOR
8. OPERATING TEMPERATURE: -20° TO 65°C [-4° TO 149°F]
9. STORAGE TEMPERATURE: -40° TO 85°C [-40° TO 185°F]
10. INGRESS PROTECTION: IP68, PANEL SIDE
11. MOUNTING TORQUE: 2.5Nm MAXIMUM

2. MATERIAL:

1. SEALING: SILICONE, EPOXY
2. O-RING: SILICONE
3. HEX NUT: NICKEL PLATED BRASS
4. WIRE: UL3385, UL10368 OR EQUIVALENT
5. BUSHING: SEE TABLE
6. CAP: SEE TABLE

3. PACKAGING:


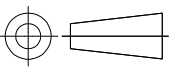
SWITCH ASSEMBLIES ARE INDIVIDUALLY BUNDLED WITH ESD PROTECTION.
 HARDWARE IS NOT ASSEMBLED TO THE SWITCH.

4. COMPLIANCE:

THE CURRENT STATEMENT OF COMPLIANCE IS AVAILABLE AT TE.COM.

5. HARDWARE IS SHIPPED UNASSEMBLED.

PC; STAINLESS STEEL	STAINLESS STEEL 316	RGB	MOMENTARY	AVP19MS16FE0DT5A04	2342839-4
PC; STAINLESS STEEL	STAINLESS STEEL 304	RGB	MOMENTARY	AVP19MS04FE0DT5A04	2342839-3
PC; ALUMINUM, BLACK ANODIZED	ALUMINUM, BLACK ANODIZED	RGB	MOMENTARY	AVP19MAIBFE0DT5A04	2342839-2
PC; ALUMINUM	ALUMINUM	RGB	MOMENTARY	AVP19MAIOFE0DT5A04	2342839-1
CAP MATERIAL	BUSHING MATERIAL	LED COLOR	CONTACT CONFIGURATION	TE SMART PART NUMBER	PART NUMBER

THIS DRAWING IS A CONTROLLED DOCUMENT.		DWN GANESH C M 29SEP2018	 TE Connectivity Ltd.		
DIMENSIONS: mm [INCHES]		CHK ALEXANDER SHARPE 29SEP2018			
		APVD ALEXANDER SHARPE 29SEP2018	NAME SWITCH,AV,PIEZO,19mm,FL BTN, ILLUM RING,LED,LEADED W/ 1x6 REC		
TOLERANCES UNLESS OTHERWISE SPECIFIED:		PRODUCT SPEC	SIZE		
0 PLC ± -	1 PLC ± 0.4[.016]	APPLICATION SPEC	CAGE CODE		
2 PLC ± 0.25[.010]	3 PLC ± -	WEIGHT	DRAWING NO		
4 PLC ± -	ANGLES ± -	CUSTOMER DRAWING	RESTRICTED TO		
MATERIAL	FINISH	SCALE		SHEET	REV
-	-	NTS		2 OF 2	3

PRELIMINARY

Mouser Electronics

Authorized Distributor

Click to View Pricing, Inventory, Delivery & Lifecycle Information:

[TE Connectivity:](#)

[2342839-3](#)