

THIS DRAWING IS UNPUBLISHED.

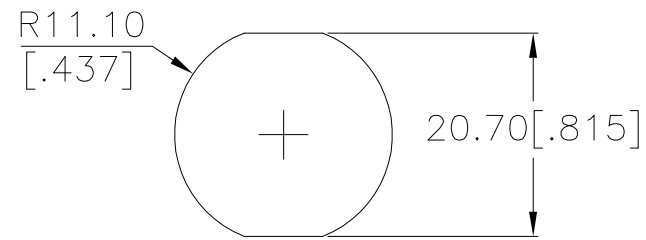
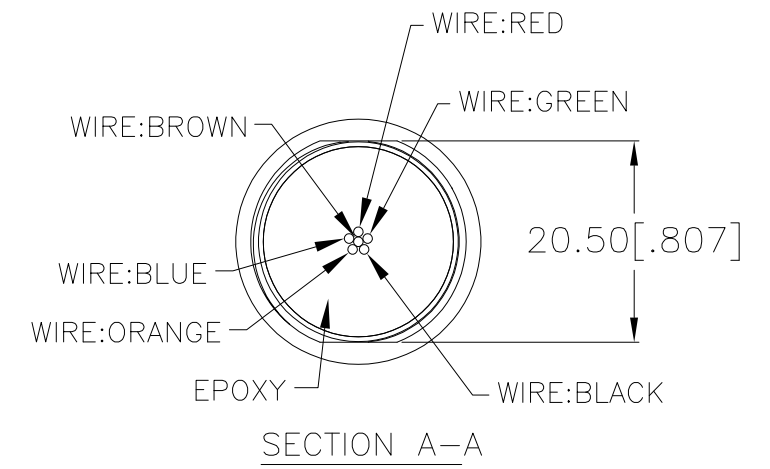
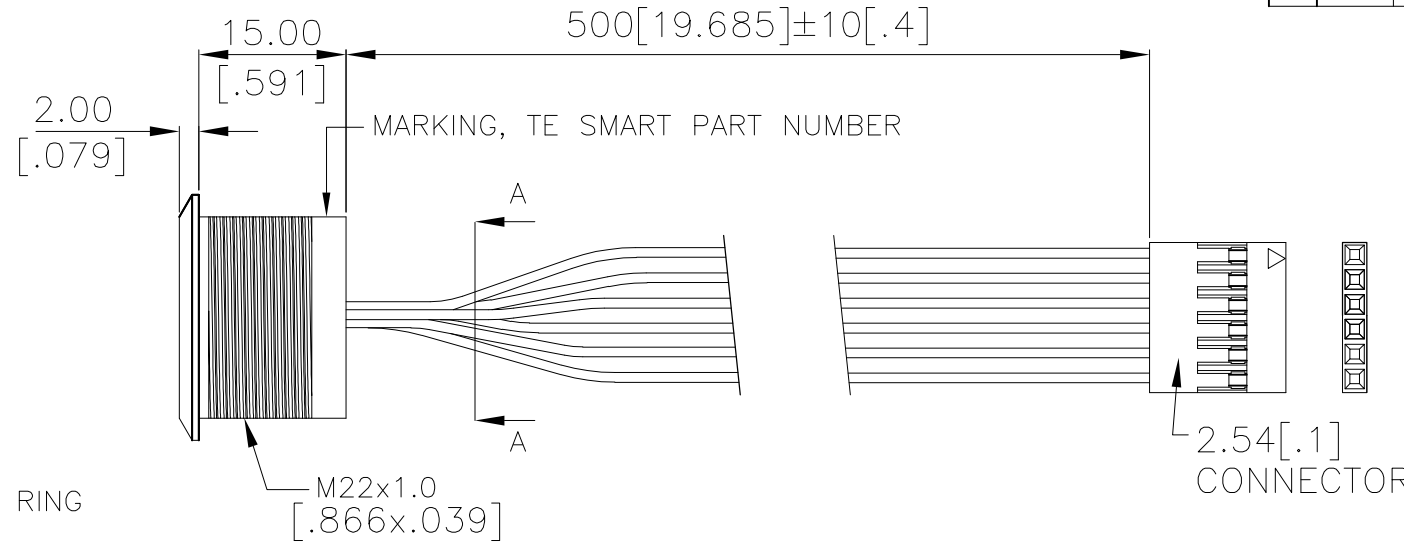
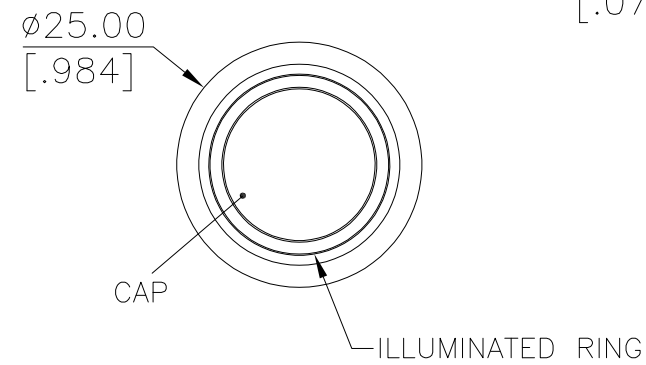
RELEASED FOR PUBLICATION

REVISIONS

© COPYRIGHT - TE Connectivity Ltd.

ALL RIGHTS RESERVED.

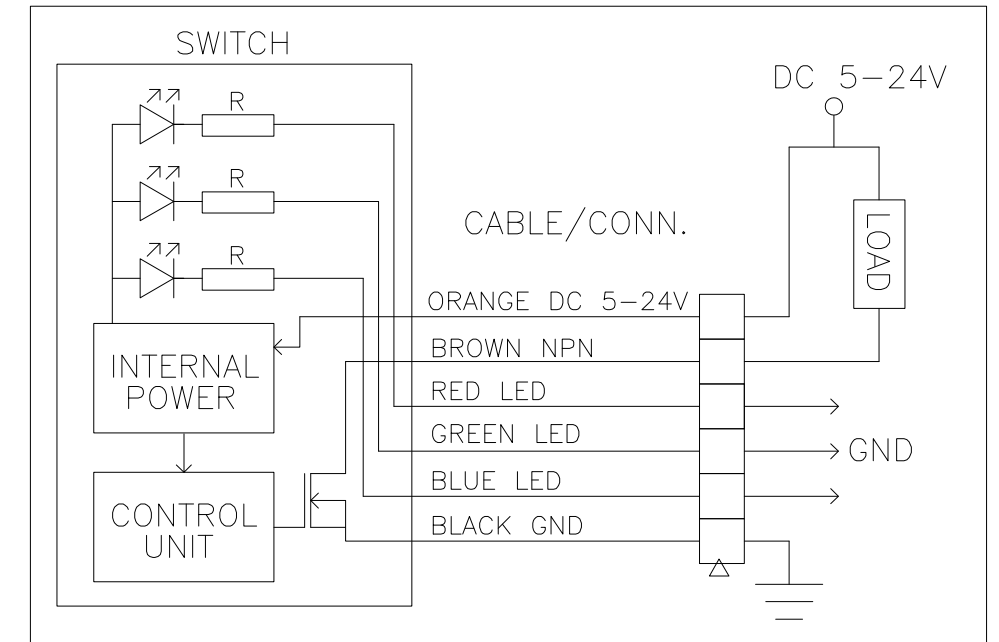
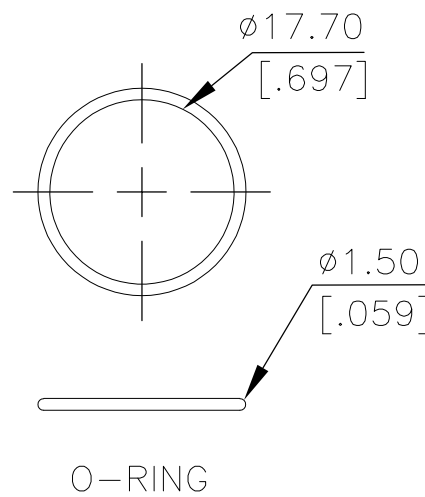
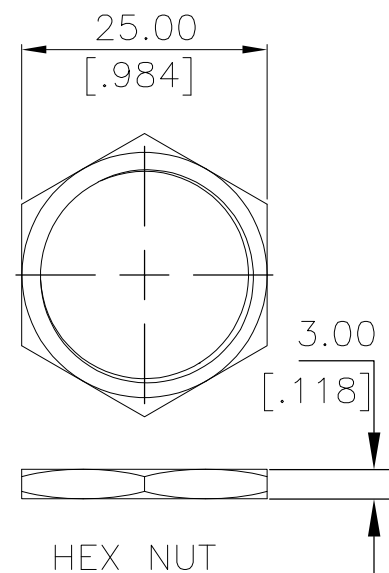
P	LTR	DESCRIPTION	DATE	DWN	APVD
	3	DRAWING UPDATED	19DEC2018	RSM	AS



PANEL CUTOUT
PANEL THICKNESS: 10.0[.394]MAX

INDICATOR			
SWITCH	LED		
	RED	GREEN	BLUE
OFF	CUSTOMER DEFINED		
ON	CUSTOMER DEFINED		

APPLICABLE FOR TE P/N:
2342836-1
2342836-3
2342836-5
2342836-7
2342836-8
2342836-9



APPLICATION DIAGRAM

PRELIMINARY

THIS DRAWING IS A CONTROLLED DOCUMENT.		DWN GANESH C M 29SEP2018	STE TE Connectivity Ltd.	
DIMENSIONS: mm [INCHES]		CHK ALEXANDER SHARPE 29SEP2018		
TOLERANCES UNLESS OTHERWISE SPECIFIED:		APVD ALEXANDER SHARPE 29SEP2018	NAME SWITCH,AV,CAPACITIVE,22mm,FL BTN, ILLUM RING,LED,LEADED W/ 1x6 REC	
MATERIAL		PRODUCT SPEC	SIZE	CAGE CODE
FINISH		APPLICATION SPEC	DRAWING NO	RESTRICTED TO
		WEIGHT	A3	00779
		CUSTOMER DRAWING	C=2342836	
		SCALE	SHEET	REV
		NTS	1 OF 3	3

THIS DRAWING IS UNPUBLISHED.

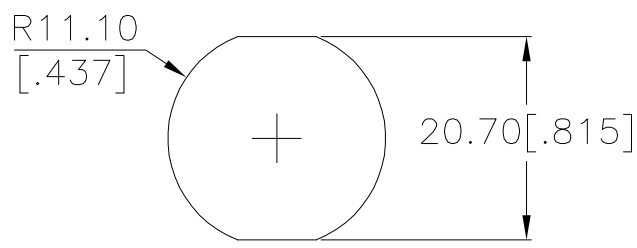
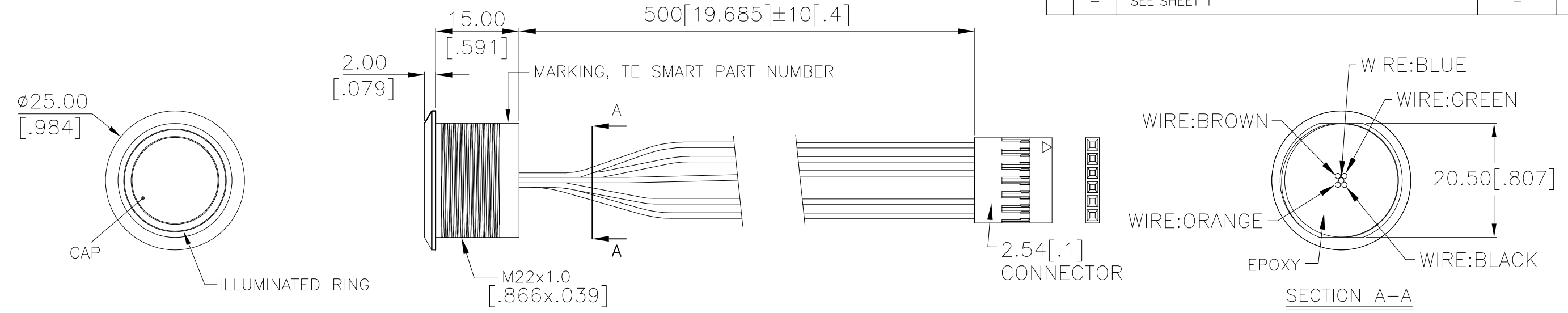
RELEASED FOR PUBLICATION

REVISIONS

© COPYRIGHT - TE Connectivity Ltd.

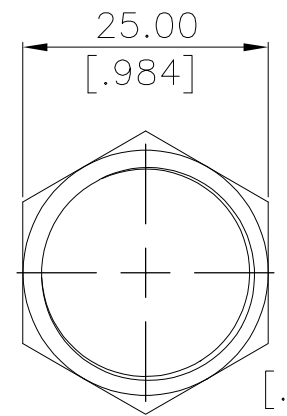
ALL RIGHTS RESERVED.

P	LTR	DESCRIPTION	DATE	DWN	APVD
-	-	SEE SHEET 1	-	-	-

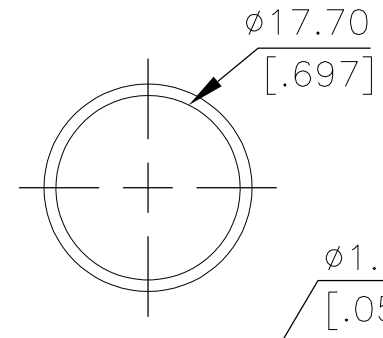


PANEL CUTOUT
PANEL THICKNESS: 10.0 [.394] MAX

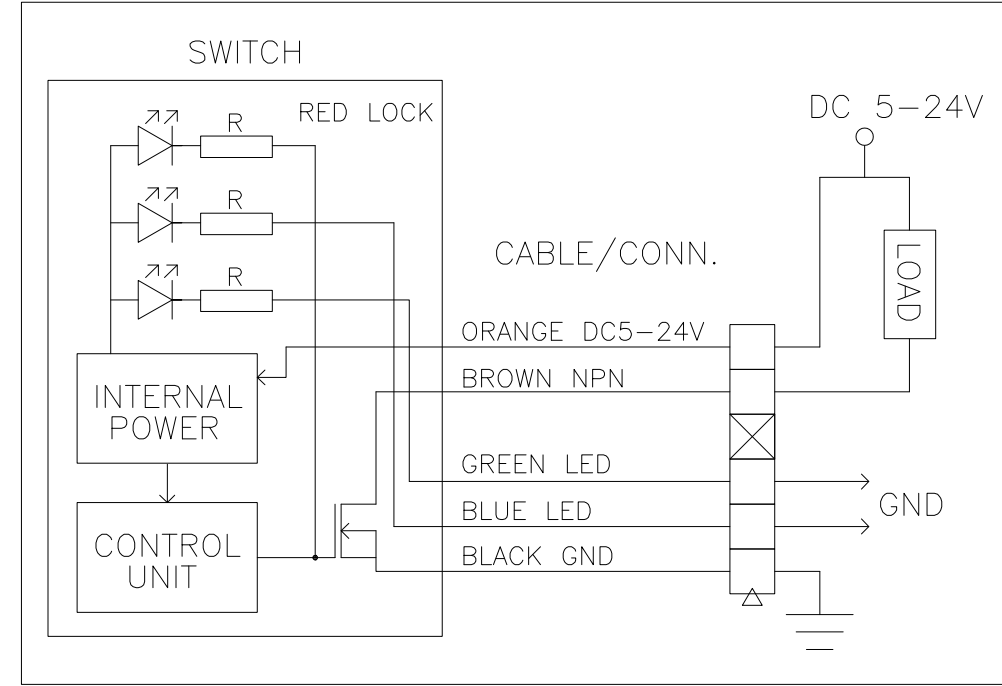
INDICATOR			
SWITCH	LED		
	RED	GREEN	BLUE
OFF	ON	CUSTOMER DEFINED	
ON	OFF	CUSTOMER DEFINED	



HEX NUT



O-RING



APPLICATION DIAGRAM

APPLICABLE FOR TE P/N:
2342836-2
2342836-4
2342836-6

PRELIMINARY

THIS DRAWING IS A CONTROLLED DOCUMENT.		DWN 29SEP2018 GANESH C M	TE Connectivity Ltd.															
DIMENSIONS: mm [INCHES]		CHK 29SEP2018 ALEXANDER SHARPE			NAME													
TOLERANCES UNLESS OTHERWISE SPECIFIED:		APVD 29SEP2018 ALEXANDER SHARPE	SWITCH,AV,CAPACITIVE,22mm,FL BTN, ILLUM RING,LED,LEADED W/ 1x6 REC															
<table border="1"> <tr><td>0 PLC</td><td>± -</td></tr> <tr><td>1 PLC</td><td>± 0.4 [.016]</td></tr> <tr><td>2 PLC</td><td>± 0.25 [.010]</td></tr> <tr><td>3 PLC</td><td>± -</td></tr> <tr><td>4 PLC</td><td>± -</td></tr> <tr><td>ANGLES</td><td>± -</td></tr> </table>		0 PLC	± -	1 PLC	± 0.4 [.016]	2 PLC	± 0.25 [.010]	3 PLC	± -	4 PLC	± -	ANGLES	± -	PRODUCT SPEC	SIZE	CAGE CODE	DRAWING NO	RESTRICTED TO
0 PLC	± -																	
1 PLC	± 0.4 [.016]																	
2 PLC	± 0.25 [.010]																	
3 PLC	± -																	
4 PLC	± -																	
ANGLES	± -																	
MATERIAL		FINISH	A3 00779		C=2342836	-												
-		-	CUSTOMER DRAWING		SCALE NTS	SHEET 2 OF 3	REV 3											

THIS DRAWING IS UNPUBLISHED. RELEASED FOR PUBLICATION
 © COPYRIGHT - TE Connectivity Ltd. ALL RIGHTS RESERVED.

REVISIONS					
P	LTR	DESCRIPTION	DATE	DWN	APVD
-	-	SEE SHEET 1	-	-	-

NOTES:

1. SPECIFICATIONS:

1. OPERATING LIFE: 50 MILLION CYCLES MIN.
2. ACTUATION FORCE: TOUCH, ZERO FORCE
3. RATING: 5-24 VDC@1A MAX.
4. CONTACT RESISTANCE: 1Ω MAX.
5. CURRENT DRAW WITHOUT ILLUMINATION: 2mA MAXIMUM
6. CURRENT DRAW WITH ILLUMINATION: 10mA MAXIMUM
7. OUTPUT MODE: NPN TRANSISTOR
8. OPERATING TEMPERATURE: -20° TO 65°C [-4° TO 149°F]
9. STORAGE TEMPERATURE: -40° TO 85°C [-40° TO 185°F]
10. INGRESS PROTECTION: IP68, PANEL SIDE
11. MOUNTING TORQUE: 2.5Nm MAXIMUM

2. MATERIAL:

1. SEALING: SILICONE, EPOXY
2. O-RING: SILICONE
3. HEX NUT: NICKEL PLATED BRASS
4. WIRE: UL3385, UL10368 OR EQUIVALENT
5. BUSHING: SEE TABLE
6. CAP: SEE TABLE

3. PACKAGING:


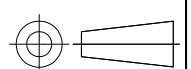
SWITCH ASSEMBLIES ARE INDIVIDUALLY BUNDLED WITH ESD PROTECTION.
 HARDWARE IS NOT ASSEMBLED TO THE SWITCH.

4. COMPLIANCE:

THE CURRENT STATEMENT OF COMPLIANCE IS AVAILABLE AT TE.COM.

5. HARDWARE IS SHIPPED UNASSEMBLED.

PC; STAINLESS STEEL	STAINLESS STEEL 316	RGB	MOMENTARY	AVC22MS16FE0DT5A04	2342836-9
PC; STAINLESS STEEL	STAINLESS STEEL 304	RGB	MOMENTARY	AVC22MS04FE0DT5A04	2342836-8
PC; ALUMINUM	ALUMINUM	RGB	MOMENTARY	AVC22MAIOFE0DT5A04	2342836-7
PC; STAINLESS STEEL	STAINLESS STEEL 316	RED LOCK	LOCKING	AVC22LS16FE03T5A04	2342836-6
PC; STAINLESS STEEL	STAINLESS STEEL 316	RGB	LOCKING	AVC22LS16FE0DT5A04	2342836-5
PC; STAINLESS STEEL	STAINLESS STEEL 304	RED LOCK	LOCKING	AVC22LS04FE03T5A04	2342836-4
PC; STAINLESS STEEL	STAINLESS STEEL 304	RGB	LOCKING	AVC22LS04FE0DT5A04	2342836-3
PC; ALUMINUM	ALUMINUM	RED LOCK	LOCKING	AVC22LAIOFE03T5A04	2342836-2
PC; ALUMINUM	ALUMINUM	RGB	LOCKING	AVC22LAIOFE0DT5A04	2342836-1
CAP MATERIAL	BUSHING MATERIAL	LED COLOR	CONTACT CONFIGURATION	TE SMART PART NUMBER	PART NUMBER

THIS DRAWING IS A CONTROLLED DOCUMENT.		DWN GANESH C M 29SEP2018	 TE Connectivity Ltd.		
DIMENSIONS: mm [INCHES]		CHK ALEXANDER SHARPE 29SEP2018			
		APVD ALEXANDER SHARPE 29SEP2018	NAME SWITCH,AV,CAPACITIVE,22mm,FL BTN, ILLUM RING,LED,LEADED W/ 1x6 REC		
TOLERANCES UNLESS OTHERWISE SPECIFIED:		PRODUCT SPEC	SIZE		
0 PLC ± -	1 PLC ± 0.4[.016]	APPLICATION SPEC	CAGE CODE		
2 PLC ± 0.25[.010]	3 PLC ± -	WEIGHT	DRAWING NO		
4 PLC ± -	ANGLES ± -	CUSTOMER DRAWING	RESTRICTED TO		
MATERIAL	FINISH	A3 00779		G=2342836	
-	-	SCALE		SHEET	
		NTS		3 OF 3	
				REV 3	

PRELIMINARY

Mouser Electronics

Authorized Distributor

Click to View Pricing, Inventory, Delivery & Lifecycle Information:

[TE Connectivity:](#)

[2342836-6](#)