

# Splice box - FOC-FDX20-PP-LCQ6-OM4-PT9



1019708

<https://www.phoenixcontact.com/pc/products/1019708>

Please be informed that the data shown in this PDF document is generated from our Online Catalog. Please find the complete data in the user documentation. Our General Terms of Use for Downloads are valid.

DIN rail splice box, fully mounted ready to splice, for 12x LC duplex (OM4)



## Product Description

FDX 20 series DIN rail splice box, assembled with 6x LC quad coupling, fully assembled and ready for splicing with pre-assembled 900 µm pigtailed (OM4) and splice holder for separately available shrink and crimp splicing protection, on a patented splice comb made from powder-coated sheet steel. Cable insertion possible via cable gland from above or below. Housing, 2-part, prepared for DIN rail mounting through the rear-side adapter. The adapter can also be mounted on the side.

### Scope of supply:

DIN rail housing with integrated splice comb (mounted), assembled with 6x LC quad coupling, 24x pigtail (OM4), 2x splice holder, 1x cable gland (M20x1.5)

## Commercial Data

Item number	1019708
Packing unit	1 pc
Minimum order quantity	1 pc
Product Key	ABNAHC
Catalog Page	Page 381 (C-2-2019)
GTIN	4055626701066
Weight per Piece (including packing)	754.5 g
Weight per Piece (excluding packing)	754.5 g
Customs tariff number	85367000
Country of origin	DE

# Splice box - FOC-FDX20-PP-LCQ6-OM4-PT9

1019708

<https://www.phoenixcontact.com/pc/products/1019708>

## Technical Data

### Notes

Order information:	In addition, shrink splice protection (Item No.: 1019676) or crimp splice protection (Item No.: 1019678) must be ordered separately.
--------------------	--

### Product properties

Type	Rail-mountable module
Product type	Network distributor box
Connection profile	LC-Duplex
No. of cable outlets	2
No. of conductors	24
Number of module slots	12
Number of slots	24
Type of the screw connection	M20 x 1.5
Housing type	DIN rail adapter
Protective cover	yes
Series	FDX 20 series
Cable outlet	above and below

### Electrical properties

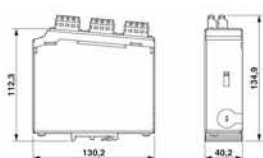
Attenuation	≤ 0.3 dB
-------------	----------

### Connection data

#### Connection technology

Connection method	Cable gland M20
-------------------	-----------------

### Dimensions

Dimensional drawing	
Width	40 mm
Height	130 mm
Depth	115 mm

#### Housing

Housing width	40 mm
---------------	-------

#### Mechanical characteristics

Ferrule diameter	1.25 mm
------------------	---------

# Splice box - FOC-FDX20-PP-LCQ6-OM4-PT9



1019708

<https://www.phoenixcontact.com/pc/products/1019708>

## Material specifications

Color	traffic grey A RAL 7042
Flammability rating according to UL 94	V0
Ferrule material	Zirconia ceramics
Housing surface material	Powder-coated, gray
Housing material	Sheet steel

## Cable / line

Cable type	Multimode fiberglass
Cable type	900 µm
Cable structure	semi-loose compact wires (STB)
External cable diameter	6 mm ... 12 mm ≤ 12 mm (of 6 mm)
Individual wire diameter	900 µm (250/900 µm)
Halogen-free	yes
Flame resistance	yes

## FO cable

Number of fibers	24
Fiber	GOF
Fiber type	Multi-mode 50/125 µm fiberglass
Attenuation	≤ 0.3 dB (at 850 nm / 1300 nm)
Return Loss	≥ 35 dB (at 850 nm / 1300 nm)
Transmission medium	FO

## Mechanical properties

### Mechanical data

Type of the screw connection	M20 x 1.5
Insertion/withdrawal cycles	≥ 500

## Characteristics

Attenuation	≤ 0.3 dB
-------------	----------

## Environmental and real-life conditions

### Ambient conditions

Degree of protection	IP20 (according to IEC 60529)
Degree of protection	IP20
Ambient temperature (operation)	-40 °C ... 85 °C
Ambient temperature (storage/transport)	-40 °C ... 85 °C
Ambient temperature (assembly)	0 °C ... 50 °C
Resistance to UV radiation	yes

## Standards and regulations

# Splice box - FOC-FDX20-PP-LCQ6-OM4-PT9



1019708

<https://www.phoenixcontact.com/pc/products/1019708>

Resistance to UV radiation	yes
Flame resistance	yes

## Mounting

Mounting type	DIN rail: 35 mm
Assembly instructions	Option for flexible replugging of DIN rail adapter

# Splice box - FOC-FDX20-PP-LCQ6-OM4-PT9

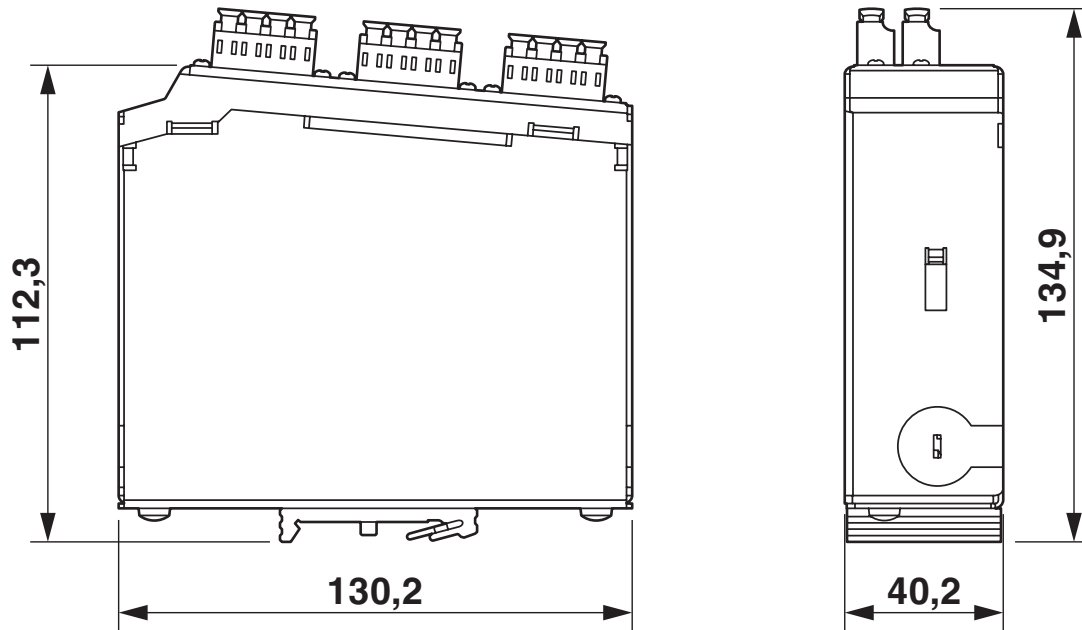
1019708

<https://www.phoenixcontact.com/pc/products/1019708>



## Drawings

Dimensional drawing



DIN rail splice box 6x LC quad OM4, fully mounted ready to splice

# Splice box - FOC-FDX20-PP-LCQ6-OM4-PT9



1019708

<https://www.phoenixcontact.com/pc/products/1019708>

## Approvals



**EAC**

Approval ID: B.01687

# Splice box - FOC-FDX20-PP-LCQ6-OM4-PT9



1019708

<https://www.phoenixcontact.com/pc/products/1019708>

## Classifications

### ECLASS

ECLASS-9.0	19069290
ECLASS-10.0.1	19170113
ECLASS-11.0	19170113

### ETIM

ETIM 8.0	EC002699
----------	----------

### UNSPSC

UNSPSC 21.0	43223300
-------------	----------

# Splice box - FOC-FDX20-PP-LCQ6-OM4-PT9



1019708

<https://www.phoenixcontact.com/pc/products/1019708>

## Environmental Product Compliance

China RoHS	Environmentally friendly use period: unlimited = EFUP-e
	No hazardous substances above threshold values



# Splice box - FOC-FDX20-PP-LCQ6-OM4-PT9



1019708

<https://www.phoenixcontact.com/pc/products/1019708>

## Mandatory Accessories

### Shrink splice protection

Shrink splice protection - FOC-SHRINKSPLICE-PROTECT - 1019676

<https://www.phoenixcontact.com/pc/products/1019676>



Shrink splice protection, design: Straight, degree of protection: IP20, cable outlet: above and below, color: transparent

---

### Crimp splice protection

Crimp splice protection - FOC-CRIMPSPLICE-PROTECT - 1019678

<https://www.phoenixcontact.com/pc/products/1019678>



Crimp splice protection, design: Straight, degree of protection: IP20, connection method: Crimp connection, cable outlet: above and below, color: Bare metallic

---

## Accessories

# Splice box - FOC-FDX20-PP-LCQ6-OM4-PT9

1019708

<https://www.phoenixcontact.com/pc/products/1019708>

## FO patch cable

FO patch cable - FOC-LC:PA-LC:PA-OM4:D01/1 - 1115625

<https://www.phoenixcontact.com/pc/products/1115625>

Multi-mode OM4 duplex jumper, LC-LC, UPC polishing, length 1 m



---

## FO patch cable

FO patch cable - FOC-LC:PA-SC:PA-OM4:D01/1 - 1115601

<https://www.phoenixcontact.com/pc/products/1115601>

Multi-mode OM4 duplex jumper, LC-SC, UPC polishing, length 1 m



# Splice box - FOC-FDX20-PP-LCQ6-OM4-PT9

1019708

<https://www.phoenixcontact.com/pc/products/1019708>

## FO patch cable

FO patch cable - FOC-LC:PA-LC:PA-OM4:D01/2 - 1115624

<https://www.phoenixcontact.com/pc/products/1115624>

Multi-mode OM4 duplex jumper, LC-LC, UPC polishing, length 2 m



---

## FO patch cable

FO patch cable - FOC-LC:PA-SC:PA-OM4:D01/2 - 1115600

<https://www.phoenixcontact.com/pc/products/1115600>

Multi-mode OM4 duplex jumper, LC-SC, UPC polishing, length 2 m



# Splice box - FOC-FDX20-PP-LCQ6-OM4-PT9

1019708

<https://www.phoenixcontact.com/pc/products/1019708>

## FO patch cable

FO patch cable - FOC-LC:PA-LC:PA-OM4:D01/5 - 1115621

<https://www.phoenixcontact.com/pc/products/1115621>

Multi-mode OM4 duplex jumper, LC-LC, UPC polishing, length 5 m



---

## FO patch cable

FO patch cable - FOC-LC:PA-SC:PA-OM4:D01/5 - 1115598

<https://www.phoenixcontact.com/pc/products/1115598>

Multi-mode OM4 duplex jumper, LC-SC, UPC polishing, length 5 m



# Splice box - FOC-FDX20-PP-LCQ6-OM4-PT9

1019708

<https://www.phoenixcontact.com/pc/products/1019708>

## FO cable

FO cable - FOC-OE-OE-GMB-U-OM4-24/... - 1286208

<https://www.phoenixcontact.com/pc/products/1286208>



GOF universal cable; 24-wire, mini breakout cable for fixed installation; non-metal rodent protection; can be stripped easily; UV resistant; high mechanical and thermal stability; low smoke; halogen-free and self-extinguishing; improved impact resistance; longitudinally and transversely watertight

---

## FO cable

FO cable - FOC-OE-OE-GL-U-OM4-24/... - 1286211

<https://www.phoenixcontact.com/pc/products/1286211>



GOF universal cable; 24-wire, loose tube cable for fixed installation; non-metal rodent protection; can be stripped easily; UV resistant; high mechanical and thermal stability; low smoke; halogen-free and self-extinguishing; improved impact resistance; longitudinally and transversely watertight

# Splice box - FOC-FDX20-PP-LCQ6-OM4-PT9

1019708

<https://www.phoenixcontact.com/pc/products/1019708>

## FO patch cable

FO patch cable - FOC-LC:A-LC:A-GZ03/... - 1405690

<https://www.phoenixcontact.com/pc/products/1405690>



Assembled FO cable, zip cord cable, multi-mode fiberglass 50/125  $\mu\text{m}$ , OM4, plug: LC/LC, degree of protection: IP20, for installation in cable ducts or control cabinets

---

## FO patch cable

FO patch cable - FOC-SC:A-LC:A-GZ03/... - 1405693

<https://www.phoenixcontact.com/pc/products/1405693>



Assembled FO cable, zip cord cable, multi-mode fiberglass 50/125  $\mu\text{m}$ , OM4, plug: SC/LC, degree of protection: IP20, for installation in cable ducts or control cabinets

# Splice box - FOC-FDX20-PP-LCQ6-OM4-PT9

1019708

<https://www.phoenixcontact.com/pc/products/1019708>

## FO patch cable

FO patch cable - FOC-LC:A-SJ:A-GZ03/... - 1405696

<https://www.phoenixcontact.com/pc/products/1405696>



Assembled FO cable, zip cord cable, multi-mode fiberglass 50/125 µm, OM4, plug: LC/SC-RJ, degree of protection: IP20, for installation in cable ducts or control cabinets

---

## FO accessories

FO accessories - FOC-TOOL-FERRULECLEANER-1.25 - 1407032

<https://www.phoenixcontact.com/pc/products/1407032>



Ferrule cleaner, 1.25 mm, for LC, approx. 500 cleaning cycles

# Splice box - FOC-FDX20-PP-LCQ6-OM4-PT9

1019708

<https://www.phoenixcontact.com/pc/products/1019708>

## FO accessories

FO accessories - FOC-TOOL-STICKCLEANER-1.25 - 1407000

<https://www.phoenixcontact.com/pc/products/1407000>



Stick cleaner for couplings and plug end faces, 1.25 mm (LC), Pcs. / Pkt.: 10

---

## Screw plug

Screw plug - A-INSP-M20-68N-P-LG - 1424519

<https://www.phoenixcontact.com/pc/products/1424519>



Screw plug, material for screw connection: PA, connecting thread: M20 x 1.5, color: lightgrey RAL 7035, with O-ring



# Splice box - FOC-FDX20-PP-LCQ6-OM4-PT9

1019708

<https://www.phoenixcontact.com/pc/products/1019708>

## Nut

Nut - WP-CN PA M20 - 3241134

<https://www.phoenixcontact.com/pc/products/3241134>

Nut, for threads M20, color: gray



---

## Screwdriver

Screwdriver - SF-PH 1-80 - 1212559

<https://www.phoenixcontact.com/pc/products/1212559>

Screwdriver, PH crosshead (lasered), uninsulated, size: PH 1 x 80, 2-component grip, with non-slip grip



# Splice box - FOC-FDX20-PP-LCQ6-OM4-PT9



1019708

<https://www.phoenixcontact.com/pc/products/1019708>

## Screwdriver

Screwdriver - SF-SL 1,0X5,5-150 - 1212552

<https://www.phoenixcontact.com/pc/products/1212552>



Screwdriver, bladed (lasered), size: 1.0 x 5.5 x 150 mm, 2-component grip, with non-slip grip

---

## End clamp

End clamp - E/NS 35 N - 0800886

<https://www.phoenixcontact.com/pc/products/0800886>



End clamp, width: 9.5 mm, color: gray

# Splice box - FOC-FDX20-PP-LCQ6-OM4-PT9

1019708

<https://www.phoenixcontact.com/pc/products/1019708>

## DIN rail adapter

DIN rail adapter - NBC-PP-G1PGY - 1041740

<https://www.phoenixcontact.com/pc/products/1041740>



DIN rail adapter, design: Headers with shielding, degree of protection: IP20, material: PC-GF10, without assembled modules

---

## DIN rail adapter

DIN rail adapter - FL DIN RA - 2891053

<https://www.phoenixcontact.com/pc/products/2891053>



The FL DIN RA is installed in a standard, 19-inch rack (EIA-310-D, IEC 60297-3-100) to allow DIN rail mounted equipment to be rack mounted.

# Splice box - FOC-FDX20-PP-LCQ6-OM4-PT9

1019708

<https://www.phoenixcontact.com/pc/products/1019708>

## Cable gland

Cable gland - G-INS-M20-S68N-PNES-GY - 1411125

<https://www.phoenixcontact.com/pc/products/1411125>



Cable gland, material for screw connection: PA, external cable diameter 6 mm ...  
12 mm, shielding: no, connecting thread: M20 x 1.5, color: silver-gray RAL 7001

---

## Marker strip

Marker strip - TML (104X10)R - 0801835

<https://www.phoenixcontact.com/pc/products/0801835>



Marker strip, Roll, white, unlabeled, can be labeled with: THERMOMARK E.300 (D)/600 (D), THERMOMARK ROLL 2.0, THERMOMARK ROLL, THERMOMARK ROLL X1, THERMOMARK ROLLMASTER 300/600, THERMOMARK X1.2, mounting type: adhesive, for terminal block width: 104 mm, lettering field size: 104 x 10 mm, Number of individual labels: 1500

# Splice box - FOC-FDX20-PP-LCQ6-OM4-PT9



1019708

<https://www.phoenixcontact.com/pc/products/1019708>

## Marker strip

Marker strip - TML (EX9,5)R TR - 0816634

<https://www.phoenixcontact.com/pc/products/0816634>



Marker strip, Roll, transparent, unlabeled, can be labeled with: THERMOMARK E.300 (D)/600 (D), THERMOMARK ROLL 2.0, THERMOMARK ROLL, THERMOMARK ROLL X1, THERMOMARK ROLLMASTER 300/600, THERMOMARK X1.2, mounting type: adhesive, for terminal block width: 30000 mm, lettering field size: 40000 x 9.5 mm, Number of individual labels: 1

---

## Safety label with special adhesive

Safety label with special adhesive - EMLS (70X32)R SR - 0800346

<https://www.phoenixcontact.com/pc/products/0800346>



Safety label with special adhesive, Roll, silver, unlabeled, can be labeled with: THERMOMARK E.300 (D)/600 (D), THERMOMARK ROLL 2.0, THERMOMARK ROLL, THERMOMARK ROLL X1, THERMOMARK ROLLMASTER 300/600, THERMOMARK X1.2, mounting type: adhesive, lettering field size: 70 x 32 mm, Number of individual labels: 500

# Splice box - FOC-FDX20-PP-LCQ6-OM4-PT9

1019708

<https://www.phoenixcontact.com/pc/products/1019708>

## Label for rough surfaces

Label for rough surfaces - EML-HA (76X51)R - 0830609

<https://www.phoenixcontact.com/pc/products/0830609>



Label for rough surfaces, Roll, white, unlabeled, can be labeled with: THERMOMARK E.300 (D)/600 (D), THERMOMARK ROLL 2.0, THERMOMARK ROLL, THERMOMARK ROLL X1, THERMOMARK ROLLMASTER 300/600, THERMOMARK X1.2, mounting type: adhesive, lettering field size: 76 x 51 mm, Number of individual labels: 1000

---

## Warning label

Warning label - PML-W100 (25X25)R - 0830429

<https://www.phoenixcontact.com/pc/products/0830429>



Warning label, Roll, yellow/black, unlabeled, can be labeled with: THERMOMARK E.300 (D)/600 (D), THERMOMARK ROLL 2.0, THERMOMARK ROLL, THERMOMARK ROLL X1, THERMOMARK ROLLMASTER 300/600, THERMOMARK X1.2, mounting type: adhesive, diameter: 0 mm, lettering field size: 25 x 25 mm, Number of individual labels: 500

# Splice box - FOC-FDX20-PP-LCQ6-OM4-PT9



1019708

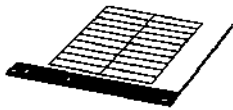
<https://www.phoenixcontact.com/pc/products/1019708>

## Device marker

Device marker - LS-EMLP (60X15) WH - 0831696

<https://www.phoenixcontact.com/pc/products/0831696>

Device marker, Sheet, white, unlabeled, can be labeled with: TOPMARK NEO, TOPMARK LASER, mounting type: adhesive, lettering field size: 60 x 15 mm, Number of individual labels: 20



---

## Cable marker

Cable marker - WML-RFID/HF 14 (25X19)R - 0803386

<https://www.phoenixcontact.com/pc/products/0803386>

Cable marker label with RFID-HF transponder, roll, white, unmarked, can be printed with: THERMOMARK ROLL, THERMOMARK ROLL X1, THERMOMARK X1.2, mounting type: adhesive, min. cable diameter: 9 mm, max. cable diameter: 14 mm, lettering field size: 25 x 19 mm



---

Phoenix Contact 2023 © - all rights reserved  
<https://www.phoenixcontact.com>

PHOENIX CONTACT GmbH & Co. KG  
Flachsmarktstraße 8  
D-32825 Blomberg  
+49 (0) 5235-3 00  
[info@phoenixcontact.com](mailto:info@phoenixcontact.com)