

Splice box - FOC-FDX20-PP-LCD6-OM4-PT9



1019712

<https://www.phoenixcontact.com/pc/products/1019712>

Please be informed that the data shown in this PDF document is generated from our Online Catalog. Please find the complete data in the user documentation. Our General Terms of Use for Downloads are valid.

DIN rail splice box, fully mounted ready to splice, for 6x LC duplex (OM4)



Product Description

FDX 20 series DIN rail splice box, equipped with 6x LC duplex couplings, fully assembled and ready for splicing, with pre-assembled 900 μm pigtails (OM4) and splice holder (for separately sold shrink and crimp splice protection) on a patented splice comb made from powder-coated sheet steel. Cable insertion possible via cable gland either at the top or bottom. Housing (2-part) prepared for DIN rail mounting through rear-side adapter (this can also be mounted on the side).

Scope of supply:

DIN rail housing with integrated splice comb (mounted), equipped with 6x LC duplex couplings, 12x pigtails (OM4), 1x splice holder, 1x cable gland (M20x1.5)

Commercial Data

Item number	1019712
Packing unit	1 pc
Minimum order quantity	1 pc
Product Key	ABNAHC
Catalog Page	Page 381 (C-2-2019)
GTIN	4055626701028
Weight per Piece (including packing)	731 g
Weight per Piece (excluding packing)	722.7 g
Customs tariff number	85367000
Country of origin	DE

Splice box - FOC-FDX20-PP-LCD6-OM4-PT9

1019712

<https://www.phoenixcontact.com/pc/products/1019712>

Technical Data

Notes

Order information:	In addition, shrink splice protection (Item No.: 1019676) or crimp splice protection (Item No.: 1019678) must be ordered separately.
--------------------	--

Product properties

Type	Rail-mountable module
Product type	Network distributor box
Connection profile	LC-Duplex
No. of cable outlets	2
No. of conductors	12
Number of module slots	6
Number of slots	12
Type of the screw connection	M20 x 1.5
Housing type	DIN rail adapter
Protective cover	yes
Series	FDX 20 series
Cable outlet	above and below

Electrical properties

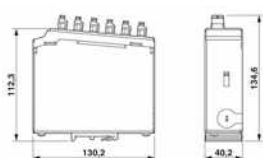
Attenuation	≤ 0.3 dB
-------------	----------

Connection data

Connection technology

Connection method	Cable gland M20
-------------------	-----------------

Dimensions

Dimensional drawing	
Width	40 mm
Height	130 mm
Depth	115 mm

Housing

Housing width	40 mm
---------------	-------

Mechanical characteristics

Ferrule diameter	1.25 mm
------------------	---------

Splice box - FOC-FDX20-PP-LCD6-OM4-PT9



1019712

<https://www.phoenixcontact.com/pc/products/1019712>

Material specifications

Color	traffic grey A RAL 7042
Flammability rating according to UL 94	V0
Ferrule material	Zirconia ceramics
Housing surface material	Powder-coated, gray
Housing material	Sheet steel

Cable / line

Cable type	Multimode fiberglass
Cable type	900 µm
Cable structure	semi-loose compact wires (STB)
External cable diameter	6 mm ... 12 mm ≤ 12 mm (of 6 mm)
Individual wire diameter	900 µm (250/900 µm)
Halogen-free	yes
Flame resistance	yes

FO cable

Number of fibers	12
Fiber	GOF
Fiber type	Multi-mode 50/125 µm fiberglass
Attenuation	≤ 0.3 dB (at 850 nm / 1300 nm)
Return Loss	≥ 35 dB (at 850 nm / 1300 nm)
Transmission medium	FO

Mechanical properties

Mechanical data

Type of the screw connection	M20 x 1.5
Insertion/withdrawal cycles	≥ 500

Characteristics

Attenuation	≤ 0.3 dB
-------------	----------

Environmental and real-life conditions

Ambient conditions

Degree of protection	IP20 (according to IEC 60529)
Degree of protection	IP20
Ambient temperature (operation)	-40 °C ... 85 °C
Ambient temperature (storage/transport)	-40 °C ... 85 °C
Ambient temperature (assembly)	0 °C ... 50 °C
Resistance to UV radiation	yes

Standards and regulations

Splice box - FOC-FDX20-PP-LCD6-OM4-PT9



1019712

<https://www.phoenixcontact.com/pc/products/1019712>

Resistance to UV radiation	yes
Flame resistance	yes

Mounting

Mounting type	DIN rail: 35 mm
Assembly instructions	Option for flexible replugging of DIN rail adapter

Splice box - FOC-FDX20-PP-LCD6-OM4-PT9

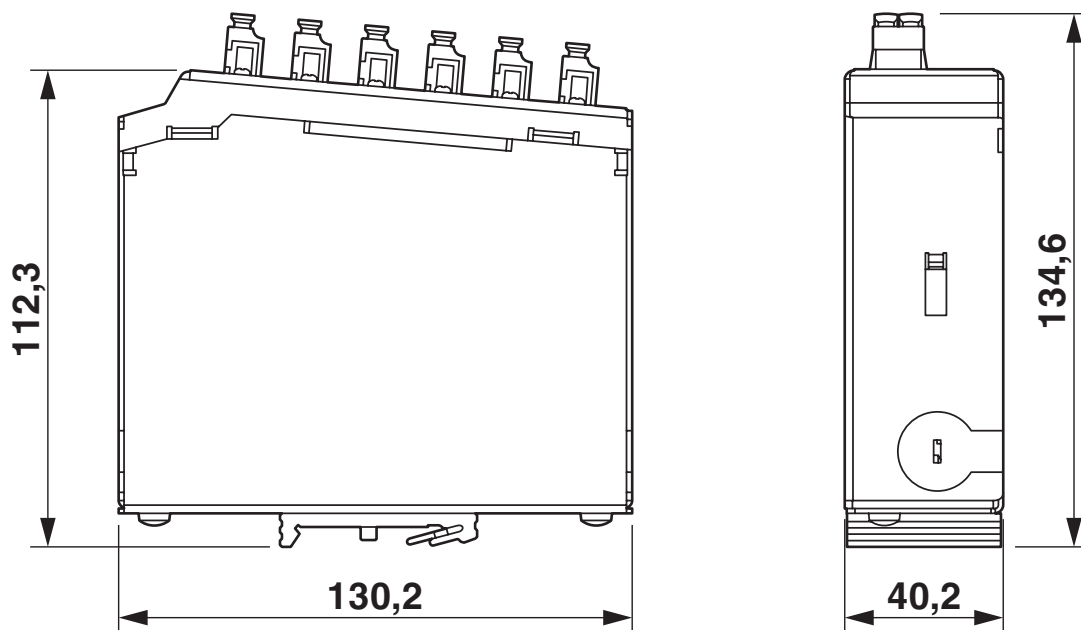
1019712

<https://www.phoenixcontact.com/pc/products/1019712>



Drawings

Dimensional drawing



DIN rail splice box 6x LC duplex OM4, fully mounted ready to splice

Splice box - FOC-FDX20-PP-LCD6-OM4-PT9



1019712

<https://www.phoenixcontact.com/pc/products/1019712>

Approvals



EAC

Approval ID: B.01687

Splice box - FOC-FDX20-PP-LCD6-OM4-PT9



1019712

<https://www.phoenixcontact.com/pc/products/1019712>

Classifications

ECLASS

ECLASS-9.0	19069290
ECLASS-10.0.1	19170113
ECLASS-11.0	19170113

ETIM

ETIM 8.0	EC002699
----------	----------

UNSPSC

UNSPSC 21.0	43223300
-------------	----------

Splice box - FOC-FDX20-PP-LCD6-OM4-PT9



1019712

<https://www.phoenixcontact.com/pc/products/1019712>

Environmental Product Compliance

China RoHS	Environmentally friendly use period: unlimited = EFUP-e
	No hazardous substances above threshold values

Splice box - FOC-FDX20-PP-LCD6-OM4-PT9



1019712

<https://www.phoenixcontact.com/pc/products/1019712>

Mandatory Accessories

Shrink splice protection

Shrink splice protection - FOC-SHRINKSPLICE-PROTECT - 1019676

<https://www.phoenixcontact.com/pc/products/1019676>



Shrink splice protection, design: Straight, degree of protection: IP20, cable outlet: above and below, color: transparent

Crimp splice protection

Crimp splice protection - FOC-CRIMPSPLICE-PROTECT - 1019678

<https://www.phoenixcontact.com/pc/products/1019678>



Crimp splice protection, design: Straight, degree of protection: IP20, connection method: Crimp connection, cable outlet: above and below, color: Bare metallic

Accessories

Splice box - FOC-FDX20-PP-LCD6-OM4-PT9

1019712

<https://www.phoenixcontact.com/pc/products/1019712>

FO patch cable

FO patch cable - FOC-LC:PA-LC:PA-OM4:D01/1 - 1115625

<https://www.phoenixcontact.com/pc/products/1115625>

Multi-mode OM4 duplex jumper, LC-LC, UPC polishing, length 1 m



FO patch cable

FO patch cable - FOC-LC:PA-SC:PA-OM4:D01/1 - 1115601

<https://www.phoenixcontact.com/pc/products/1115601>

Multi-mode OM4 duplex jumper, LC-SC, UPC polishing, length 1 m



Splice box - FOC-FDX20-PP-LCD6-OM4-PT9

1019712

<https://www.phoenixcontact.com/pc/products/1019712>

FO patch cable

FO patch cable - FOC-LC:PA-LC:PA-OM4:D01/2 - 1115624

<https://www.phoenixcontact.com/pc/products/1115624>

Multi-mode OM4 duplex jumper, LC-LC, UPC polishing, length 2 m



FO patch cable

FO patch cable - FOC-LC:PA-SC:PA-OM4:D01/2 - 1115600

<https://www.phoenixcontact.com/pc/products/1115600>

Multi-mode OM4 duplex jumper, LC-SC, UPC polishing, length 2 m



Splice box - FOC-FDX20-PP-LCD6-OM4-PT9

1019712

<https://www.phoenixcontact.com/pc/products/1019712>

FO patch cable

FO patch cable - FOC-LC:PA-LC:PA-OM4:D01/5 - 1115621

<https://www.phoenixcontact.com/pc/products/1115621>

Multi-mode OM4 duplex jumper, LC-LC, UPC polishing, length 5 m



FO patch cable

FO patch cable - FOC-LC:PA-SC:PA-OM4:D01/5 - 1115598

<https://www.phoenixcontact.com/pc/products/1115598>

Multi-mode OM4 duplex jumper, LC-SC, UPC polishing, length 5 m



Splice box - FOC-FDX20-PP-LCD6-OM4-PT9

1019712

<https://www.phoenixcontact.com/pc/products/1019712>

FO cable

FO cable - FOC-OE-OE-GL-U-OM4-12/... - 1286220

<https://www.phoenixcontact.com/pc/products/1286220>



GOF universal cable; 12-wire, loose tube cable for fixed installation; non-metal rodent protection; can be stripped easily; UV resistant; high mechanical and thermal stability; low smoke; halogen-free and self-extinguishing; improved impact resistance; longitudinally and transversely watertight

FO patch cable

FO patch cable - FOC-LC:A-LC:A-GZ03/... - 1405690

<https://www.phoenixcontact.com/pc/products/1405690>



Assembled FO cable, zip cord cable, multi-mode fiberglass 50/125 μm , OM4, plug: LC/LC, degree of protection: IP20, for installation in cable ducts or control cabinets

Splice box - FOC-FDX20-PP-LCD6-OM4-PT9



1019712

<https://www.phoenixcontact.com/pc/products/1019712>

FO patch cable

FO patch cable - FOC-SC:A-LC:A-GZ03/... - 1405693

<https://www.phoenixcontact.com/pc/products/1405693>



Assembled FO cable, zip cord cable, multi-mode fiberglass 50/125 μm , OM4, plug: SC/LC, degree of protection: IP20, for installation in cable ducts or control cabinets

FO patch cable

FO patch cable - FOC-LC:A-SJ:A-GZ03/... - 1405696

<https://www.phoenixcontact.com/pc/products/1405696>



Assembled FO cable, zip cord cable, multi-mode fiberglass 50/125 μm , OM4, plug: LC/SC-RJ, degree of protection: IP20, for installation in cable ducts or control cabinets

Splice box - FOC-FDX20-PP-LCD6-OM4-PT9



1019712

<https://www.phoenixcontact.com/pc/products/1019712>

FO accessories

FO accessories - FOC-TOOL-FERRULECLEANER-1.25 - 1407032

<https://www.phoenixcontact.com/pc/products/1407032>

Ferrule cleaner, 1.25 mm, for LC, approx. 500 cleaning cycles



FO accessories

FO accessories - FOC-TOOL-STICKCLEANER-1.25 - 1407000

<https://www.phoenixcontact.com/pc/products/1407000>

Stick cleaner for couplings and plug end faces, 1.25 mm (LC), Pcs. / Pkt.: 10



Splice box - FOC-FDX20-PP-LCD6-OM4-PT9

1019712

<https://www.phoenixcontact.com/pc/products/1019712>

Screw plug

Screw plug - A-INSP-M20-68N-P-LG - 1424519

<https://www.phoenixcontact.com/pc/products/1424519>

Screw plug, material for screw connection: PA, connecting thread: M20 x 1.5, color: lightgrey RAL 7035, with O-ring



Nut

Nut - WP-CN PA M20 - 3241134

<https://www.phoenixcontact.com/pc/products/3241134>

Nut, for threads M20, color: gray



Splice box - FOC-FDX20-PP-LCD6-OM4-PT9



1019712

<https://www.phoenixcontact.com/pc/products/1019712>

Screwdriver

Screwdriver - SF-PH 1-80 - 1212559

<https://www.phoenixcontact.com/pc/products/1212559>



Screwdriver, PH crosshead (lasered), uninsulated, size: PH 1 x 80, 2-component grip, with non-slip grip

Screwdriver

Screwdriver - SF-SL 1,0X5,5-150 - 1212552

<https://www.phoenixcontact.com/pc/products/1212552>



Screwdriver, bladed (lasered), size: 1.0 x 5.5 x 150 mm, 2-component grip, with non-slip grip

Splice box - FOC-FDX20-PP-LCD6-OM4-PT9

1019712

<https://www.phoenixcontact.com/pc/products/1019712>

End clamp

End clamp - E/NS 35 N - 0800886

<https://www.phoenixcontact.com/pc/products/0800886>

End clamp, width: 9.5 mm, color: gray



DIN rail adapter

DIN rail adapter - NBC-PP-G1PGY - 1041740

<https://www.phoenixcontact.com/pc/products/1041740>

DIN rail adapter, design: Headers with shielding, degree of protection: IP20, material: PC-GF10, without assembled modules



Splice box - FOC-FDX20-PP-LCD6-OM4-PT9

1019712

<https://www.phoenixcontact.com/pc/products/1019712>

DIN rail adapter

DIN rail adapter - FL DIN RA - 2891053

<https://www.phoenixcontact.com/pc/products/2891053>

The FL DIN RA is installed in a standard, 19-inch rack (EIA-310-D, IEC 60297-3-100) to allow DIN rail mounted equipment to be rack mounted.



Cable gland

Cable gland - G-INS-M20-S68N-PNES-GY - 1411125

<https://www.phoenixcontact.com/pc/products/1411125>

Cable gland, material for screw connection: PA, external cable diameter 6 mm ... 12 mm, shielding: no, connecting thread: M20 x 1.5, color: silver-gray RAL 7001



Splice box - FOC-FDX20-PP-LCD6-OM4-PT9



1019712

<https://www.phoenixcontact.com/pc/products/1019712>

Marker strip

Marker strip - TML (104X10)R - 0801835

<https://www.phoenixcontact.com/pc/products/0801835>



Marker strip, Roll, white, unlabeled, can be labeled with: THERMOMARK E.300 (D)/600 (D), THERMOMARK ROLL 2.0, THERMOMARK ROLL, THERMOMARK ROLL X1, THERMOMARK ROLLMASTER 300/600, THERMOMARK X1.2, mounting type: adhesive, for terminal block width: 104 mm, lettering field size: 104 x 10 mm, Number of individual labels: 1500

Marker strip

Marker strip - TML (EX9,5)R TR - 0816634

<https://www.phoenixcontact.com/pc/products/0816634>



Marker strip, Roll, transparent, unlabeled, can be labeled with: THERMOMARK E.300 (D)/600 (D), THERMOMARK ROLL 2.0, THERMOMARK ROLL, THERMOMARK ROLL X1, THERMOMARK ROLLMASTER 300/600, THERMOMARK X1.2, mounting type: adhesive, for terminal block width: 30000 mm, lettering field size: 40000 x 9.5 mm, Number of individual labels: 1

Splice box - FOC-FDX20-PP-LCD6-OM4-PT9



1019712

<https://www.phoenixcontact.com/pc/products/1019712>

Safety label with special adhesive

Safety label with special adhesive - EMLS (70X32)R SR - 0800346

<https://www.phoenixcontact.com/pc/products/0800346>



Safety label with special adhesive, Roll, silver, unlabeled, can be labeled with: THERMOMARK E.300 (D)/600 (D), THERMOMARK ROLL 2.0, THERMOMARK ROLL, THERMOMARK ROLL X1, THERMOMARK ROLLMASTER 300/600, THERMOMARK X1.2, mounting type: adhesive, lettering field size: 70 x 32 mm, Number of individual labels: 500

Label for rough surfaces

Label for rough surfaces - EML-HA (76X51)R - 0830609

<https://www.phoenixcontact.com/pc/products/0830609>



Label for rough surfaces, Roll, white, unlabeled, can be labeled with: THERMOMARK E.300 (D)/600 (D), THERMOMARK ROLL 2.0, THERMOMARK ROLL, THERMOMARK ROLL X1, THERMOMARK ROLLMASTER 300/600, THERMOMARK X1.2, mounting type: adhesive, lettering field size: 76 x 51 mm, Number of individual labels: 1000

Splice box - FOC-FDX20-PP-LCD6-OM4-PT9

1019712

<https://www.phoenixcontact.com/pc/products/1019712>

Warning label

Warning label - PML-W100 (25X25)R - 0830429

<https://www.phoenixcontact.com/pc/products/0830429>

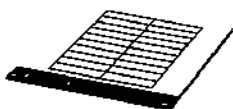


Warning label, Roll, yellow/black, unlabeled, can be labeled with: THERMOMARK E.300 (D)/600 (D), THERMOMARK ROLL 2.0, THERMOMARK ROLL, THERMOMARK ROLL X1, THERMOMARK ROLLMASTER 300/600, THERMOMARK X1.2, mounting type: adhesive, diameter: 0 mm, lettering field size: 25 x 25 mm, Number of individual labels: 500

Device marker

Device marker - LS-EMLP (60X15) WH - 0831696

<https://www.phoenixcontact.com/pc/products/0831696>



Device marker, Sheet, white, unlabeled, can be labeled with: TOPMARK NEO, TOPMARK LASER, mounting type: adhesive, lettering field size: 60 x 15 mm, Number of individual labels: 20

Splice box - FOC-FDX20-PP-LCD6-OM4-PT9



1019712

<https://www.phoenixcontact.com/pc/products/1019712>

Cable marker

Cable marker - WML-RFID/HF 14 (25X19)R - 0803386

<https://www.phoenixcontact.com/pc/products/0803386>



Cable marker label with RFID-HF transponder, roll, white, unmarked, can be printed with: THERMOMARK ROLL, THERMOMARK ROLL X1, THERMOMARK X1.2, mounting type: adhesive, min. cable diameter: 9 mm, max. cable diameter: 14 mm, lettering field size: 25 x 19 mm

Phoenix Contact 2023 © - all rights reserved

<https://www.phoenixcontact.com>

PHOENIX CONTACT GmbH & Co. KG

Flachsmarktstraße 8

D-32825 Blomberg

+49 (0) 5235-3 00

info@phoenixcontact.com