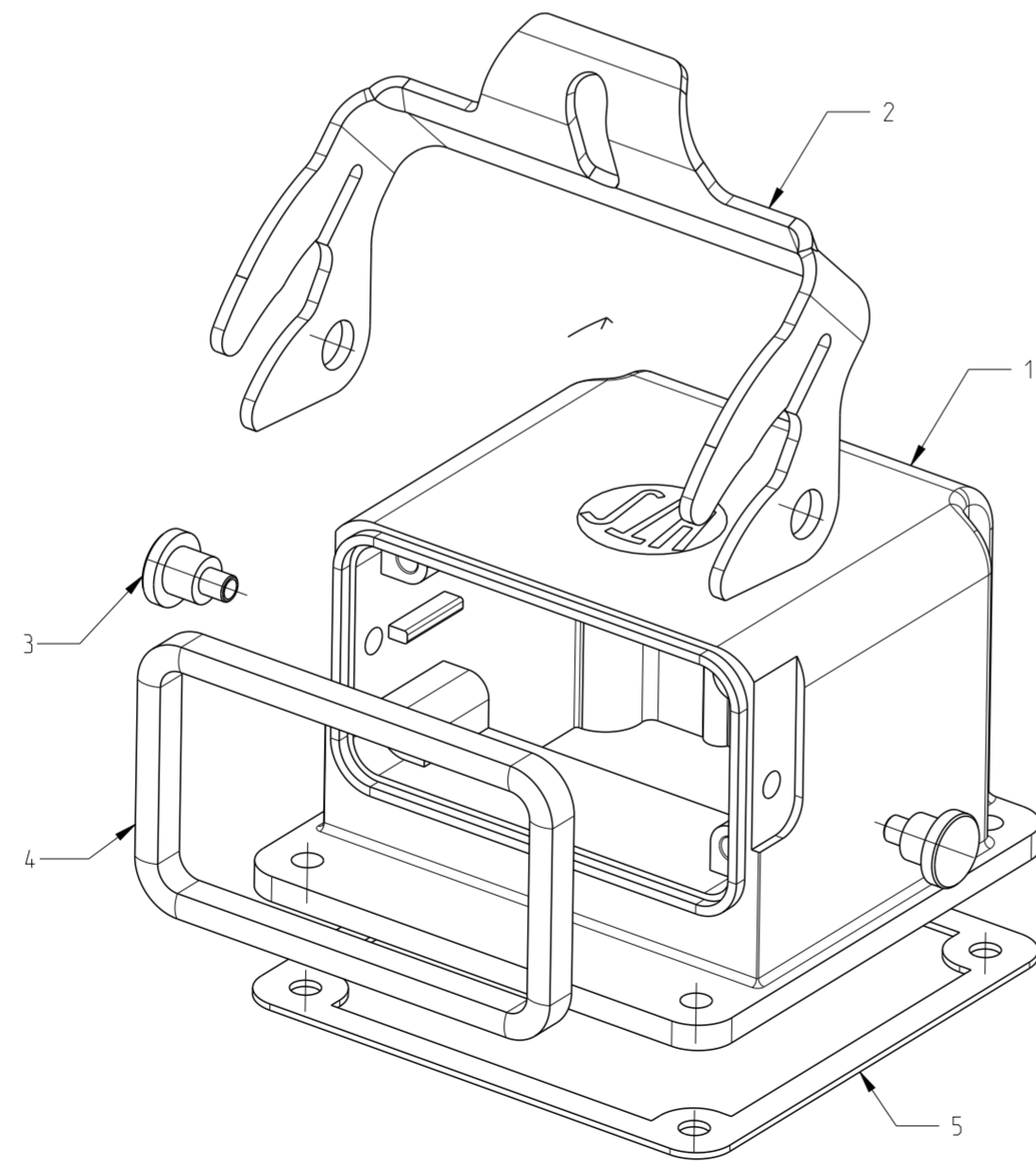
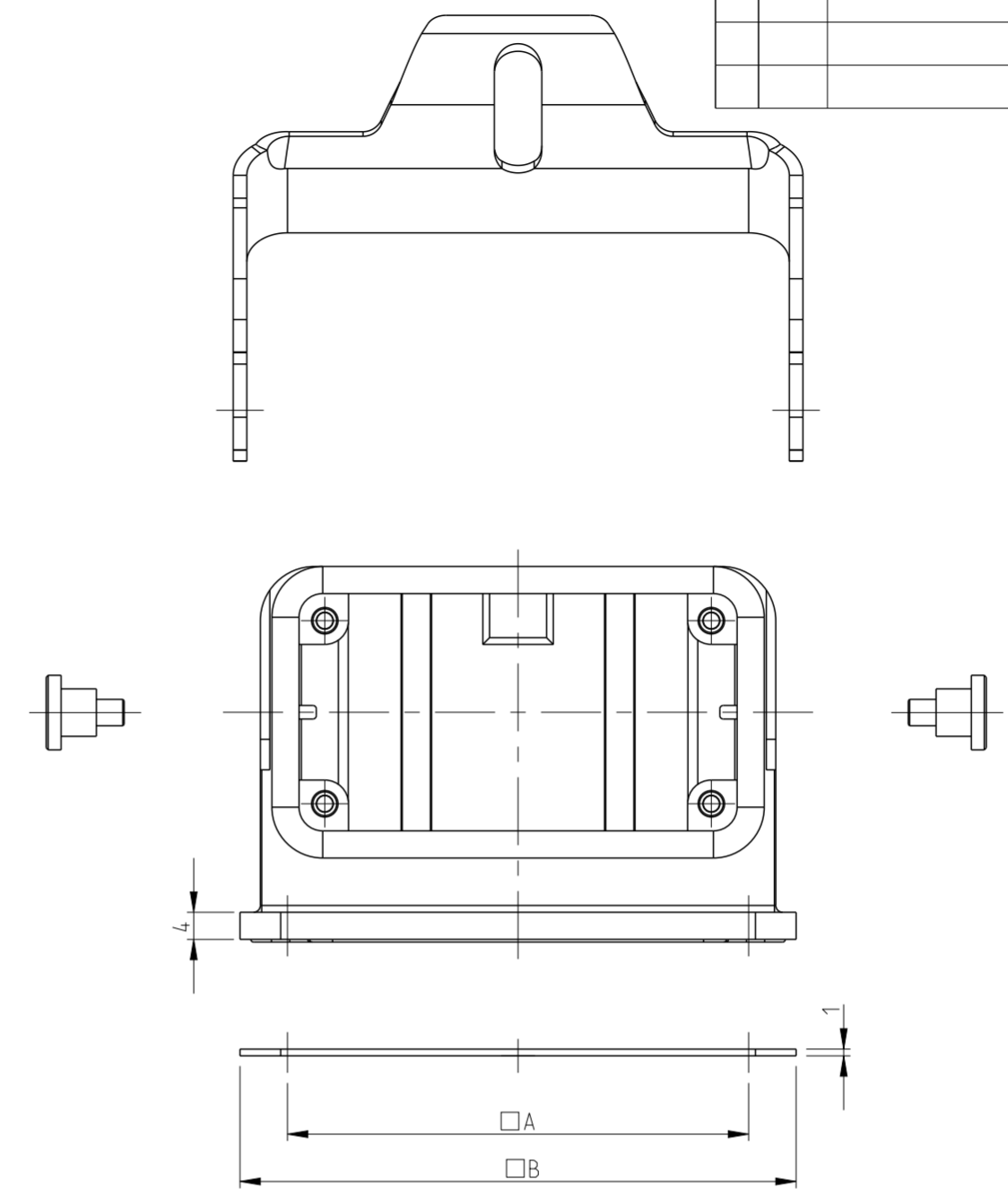
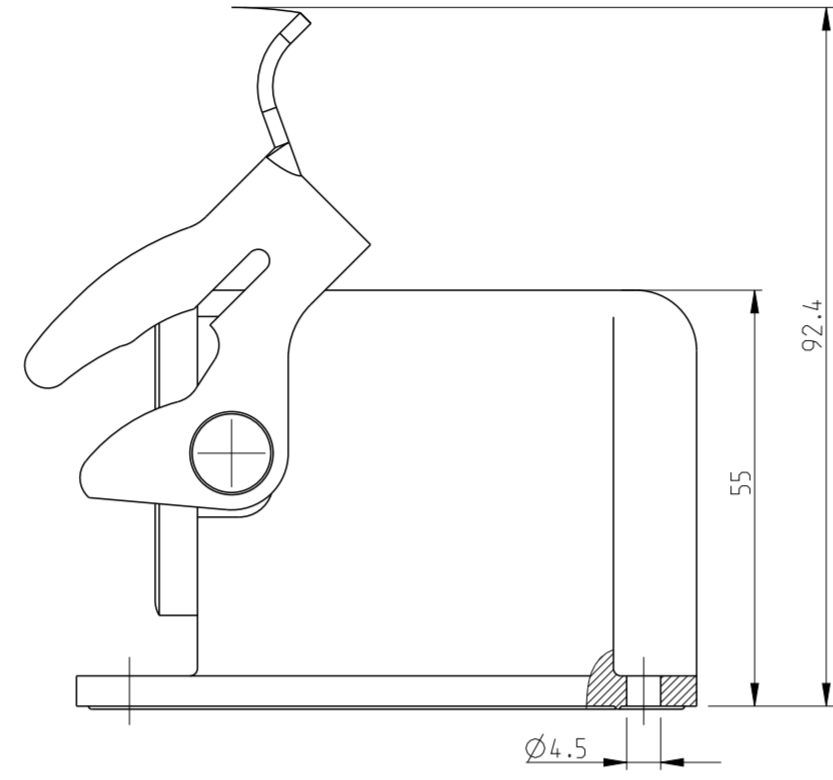
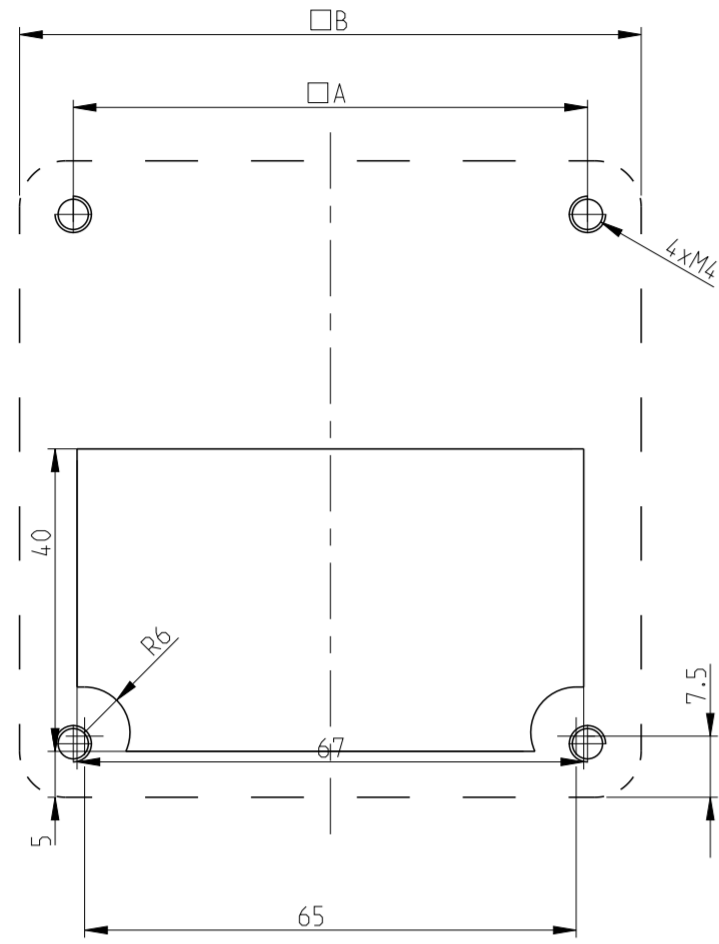


THIS DRAWING IS UNPUBLISHED. RELEASED FOR PUBLICATION
 © COPYRIGHT copyright_date BY - ALL RIGHTS RESERVED.

REVISIONS					
P	LTR	DESCRIPTION	DATE	DWN	APVD
A7		REVISED PER ECR-17-014013	12FEB2018	SRG	MKO

Panel Cut-Out



Notes

- 1 Material: Housing: Aluminium Die Cast Alloy
Seals: Neoprene
- 2 Surface: Power Varnish, Grey
- 3 Varnish on the inside not necessary

Superseded BY 8-8
 Superseded BY 8-4
 Superseded BY 8-0
 OBSOLETE

QTY	DESCRIPTION	PART NO	MATERIAL	SURFACE	A	B	REMARKS	ITEM NO
1	FLANGE SEAL	0-1245077-1	NBR	BLACK				5
1	PROFILE SEAL	0-1110426-2	NBR	BLACK				4
1	CLIP POSITIONER	0-1245084-1	STEEL	BLUE				3
1	SIDE CLIP	0-1110444-1	STEEL	BLUE				2
1	MCH-HM.10-98/98	1-1245076-4	ALU	GREY		98		1
1	MCH-HM.10-94/94	1-1245076-3	ALU	GREY	80	94		1
1	MCH-HM.10-90/90	1-1245076-5	ALU	GREY	79	90		1
1	MCH-HM.10-85/85	1-1245076-2	ALU	GREY	73	85		1
1	MCH-HM.10-82/82	1-1245076-1	ALU	GREY	68	82		1
1	MCH-HM.10-82/82-S0	1-1245076-6	ALU	GREY	68	82	NO LOGO	1

THIS DRAWING IS A CONTROLLED DOCUMENT. DWN Schneider 16.02.2001
 CHK Schweiger 16.02.2001

DIMENSIONS: mm TOLERANCES UNLESS OTHERWISE SPECIFIED: n:ISO 8015; n:ISO 2768-mH-E; n:DIM 16901-100

1 PLC ±0.5
 2 PLC ±0.3
 3 PLC ±0.013
 4 PLC ±0.0001
 ANGLES ±

MATERIAL material_2 FINISH finish_spec_2

APVD - PRODUCT SPEC - APPLICATION SPEC - WEIGHT -

NAME Motor Connector Housing HM 10

SIZE A2 CAGE CODE 00779 DRAWING NO C-1108772 RESTRICTED TO

CUSTOMER DRAWING SCALE 1:1 SHEET 1 OF 1 REV A7

STE TE Connectivity