

HFT5000-12/6-0-310MM ✓ ACTIVE

RAYCHEM | RAYCHEM HFT5000

TE Internal #: EM45036001

Black, 2:1, Shrinks To .236 in [6 mm], Polyethylene/Polyester, Fiber & Fabric Wall Material, .472 in [12 mm] Inner Diameter, RAYCHEM HFT5000

[View on TE.com >](#)



Heat Shrink Tubing > HFT5000 Heat Shrink Tubing



Primary Product Color: **Black**

Wall Material Type: **Fiber & Fabric**

Expanded Inside Diameter (Min): **12 mm [.472 in]**

Recovered Inside Diameter (Max): **6 mm [.236 in]**

Shrink Ratio: **2:1**

[All HFT5000 Heat Shrink Tubing \(128\)](#)

Features

Product Type Features

Wall Material Type	Fiber & Fabric
--------------------	----------------

Body Features

Fluid Type	Antifreeze, Battery Acid, Brake Fluid, Car Wash Detergent, Diesel Fuel, Hydraulic Fluid, Lubricating Oil, Unleaded Gasoline
Primary Product Color	Black
Shrink Ratio	2:1
Primary Product Material	Polyethylene/Polyester
Flexibility	Very Flexible

Dimensions

Product Length	310 mm[12.205 in]
Expanded Inside Diameter (Min)	12 mm[.472 in]
Recovered Inside Diameter (Max)	6 mm[.236 in]
Tubing Size Range	6 – 12 mm[.236 – .472 in]

Usage Conditions

Shrink Temperature (Min)	80 °C
--------------------------	-------

Tubing Flammability Type	Non-Flame-Retardant
--------------------------	---------------------

Operating Temperature Range	-40 – 125 °C
-----------------------------	--------------

Recovery Temperature	110 °C
----------------------	--------

Operation/Application

Mechanical Resistance	Abrasion, Cut-Through, Mechanical Damage
-----------------------	--

Product Availability

Applicable Region	Global
-------------------	--------

Packaging Features

Packaging Method	Box
------------------	-----

Other

Product Source	Czech Republic
----------------	----------------

Product Compliance

[For compliance documentation, visit the product page on TE.com>](#)

EU RoHS Directive 2011/65/EU	Compliant
------------------------------	-----------

EU ELV Directive 2000/53/EC	Compliant
-----------------------------	-----------

China RoHS 2 Directive MIIT Order No 32, 2016	No Restricted Materials Above Threshold
---	---

EU REACH Regulation (EC) No. 1907/2006	Current ECHA Candidate List: JUNE 2024 (241) Candidate List Declared Against: JAN 2024 (240) Does not contain REACH SVHC
--	--

Halogen Content	Out of Scope - excluded from Halogen requirements
-----------------	---

Solder Process Capability	Not applicable for solder process capability
---------------------------	--

Product Compliance Disclaimer

This information is provided based on reasonable inquiry of our suppliers and represents our current actual knowledge based on the information they provided. This information is subject to change. The part numbers that TE has identified as EU RoHS compliant have a maximum concentration of 0.1% by weight in homogenous materials for lead, hexavalent chromium, mercury, PBB, PBDE, DBP, BBP, DEHP, DIBP, and 0.01% for cadmium, or qualify for an exemption to these limits as defined in the Annexes of Directive 2011/65/EU (RoHS2). Finished electrical and electronic equipment products will be CE marked as required by Directive 2011/65/EU. Components may not be CE marked. Additionally, the part numbers that TE has identified as EU ELV compliant have a maximum concentration of 0.1% by weight in homogenous materials for lead, hexavalent chromium, and mercury, and 0.01% for cadmium, or qualify for an exemption to these limits as defined in the Annexes of Directive 2000/53/EC (ELV). Regarding the REACH Regulations, TE's information on SVHC in articles for this part number is still based on the European Chemical Agency (ECHA) 'Guidance on requirements for substances in articles' (Version: 2, April 2011), applying the 0.1% weight on weight concentration threshold at the finished product level. TE is aware of the European Court of Justice ruling of September 10th, 2015 also known as O5A (Once An Article Always An Article) stating that, in case of 'complex object', the threshold for a SVHC must be applied to both the product as a whole and simultaneously to each of the articles forming part of its composition. TE has evaluated this ruling

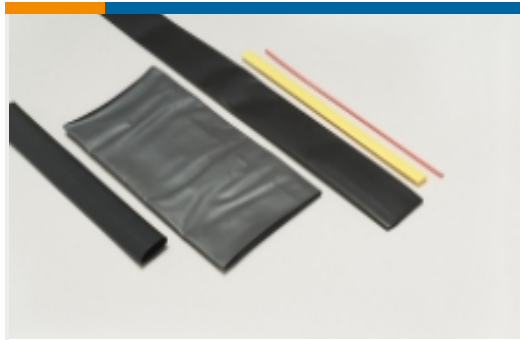
based on the new ECHA "Guidance on requirements for substances in articles" (June 2017, version 4.0) and will be updating its statements accordingly.

Compatible Parts



TE Part # EG1114-000
CV1981-ST-230V1600W-EU

Also in the Series | RAYCHEM HFT5000



Heat Shrink Tubing(128)

Customers Also Bought



TE Part #EL88206001
HFT5000 Heat Shrink Tubing



TE Part #EL69346001
RNF-3000-24/8-7-45MM



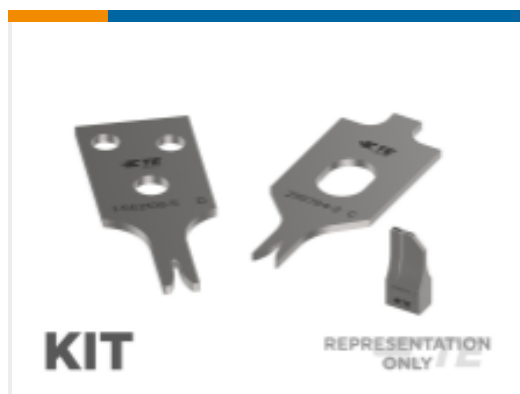
TE Part #2-1803074-1
ANVIL



TE Part #2359319-1
FEMALE KIT, 1P, FAKRA



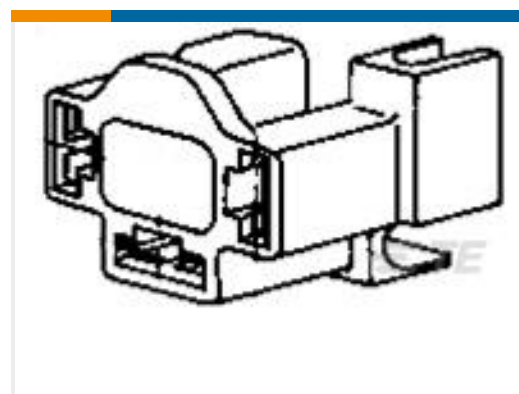
TE Part #5-1579028-3
EXTRACTION TOOL



TE Part #7-2151780-7
OC-055F110O-CRIMPTOOLINGKIT



TE Part #829290-6
2X 6P MOD2 STIFTLER



TE Part #927284-2
FF 250 REC HSG 3P NYLON NAT



Documents

Product Drawings

[HFT5000-12/6-0-310MM](#)

English

Datasheets & Catalog Pages

[HFT5000 Pages from 9-1773447-9](#)

English

Product Specifications

[Application Specification](#)

English