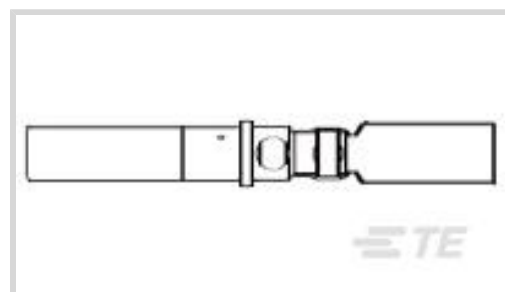




Wire Protection & Management > Interconnect Devices > Shielded Contacts



Compatible With Wire & Cable Type: **Coaxial**

Contact Type: **Socket**

Contact Size: **Size 8**

Features

Configuration Features

| | |
|-----------------------------------|---------|
| Compatible With Wire & Cable Type | Coaxial |
|-----------------------------------|---------|

Contact Features

| | |
|--------------|--------|
| Contact Type | Socket |
| Contact Size | Size 8 |

Usage Conditions

| | |
|-----------------------------|--------|
| Operating Temperature (Max) | 125 °C |
|-----------------------------|--------|

Industry Standards

| | |
|-------------------|--------------------------|
| Military Standard | MIL-DTL-38999 I, III, IV |
|-------------------|--------------------------|

Product Compliance

[For compliance documentation, visit the product page on TE.com>](#)

| | |
|---|---|
| EU RoHS Directive 2011/65/EU | Not Compliant |
| EU ELV Directive 2000/53/EC | Not Compliant |
| China RoHS 2 Directive MIIT Order No 32, 2016 | Restricted Materials Above Threshold |
| EU REACH Regulation (EC) No. 1907/2006 | Current ECHA Candidate List: JUNE 2024 (241) Candidate List Declared Against: JAN 2024 (240) SVHC > Threshold: Pb (37% in Solder) <small>Article Safe Usage Statements: Do not eat, drink or smoke when using this product. Wash thoroughly after handling. Recycle if possible and dispose of the article by following all applicable governmental regulations relevant to your geographic location.</small> |
| Halogen Content | Out of Scope - excluded from Halogen |

requirements

Solder Process Capability

Not applicable for solder process capability

Product Compliance Disclaimer

This information is provided based on reasonable inquiry of our suppliers and represents our current actual knowledge based on the information they provided. This information is subject to change. The part numbers that TE has identified as EU RoHS compliant have a maximum concentration of 0.1% by weight in homogenous materials for lead, hexavalent chromium, mercury, PBB, PBDE, DBP, BBP, DEHP, DIBP, and 0.01% for cadmium, or qualify for an exemption to these limits as defined in the Annexes of Directive 2011/65/EU (RoHS2). Finished electrical and electronic equipment products will be CE marked as required by Directive 2011/65/EU. Components may not be CE marked. Additionally, the part numbers that TE has identified as EU ELV compliant have a maximum concentration of 0.1% by weight in homogenous materials for lead, hexavalent chromium, and mercury, and 0.01% for cadmium, or qualify for an exemption to these limits as defined in the Annexes of Directive 2000/53/EC (ELV). Regarding the REACH Regulation, the information TE provides on SVHC in articles for this part number is based on the latest European Chemicals Agency (ECHA) 'Guidance on requirements for substances in articles' posted at this URL: <https://echa.europa.eu/guidance-documents/guidance-on-reach>

Compatible Parts



TE Part # EG8162-000
HL1920E-230V-EURO

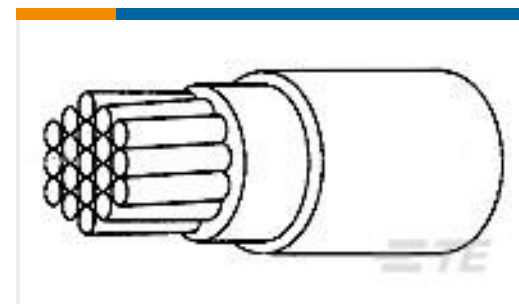
Customers Also Bought



TE Part #5070124008
RNF-100-2-X-SP



TE Part #5070114020
RNF-100-1-1/2-X-SP



TE Part #D475533001
VG-95218-T020-E109



TE Part #6014873001
VG-95218-T020-A006



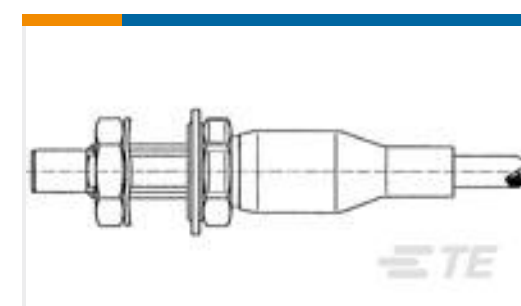
TE Part #1379193001
VG-95218-T020-A001



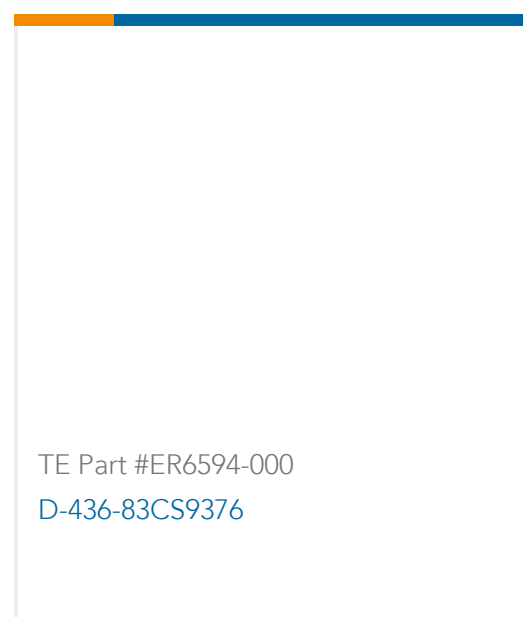
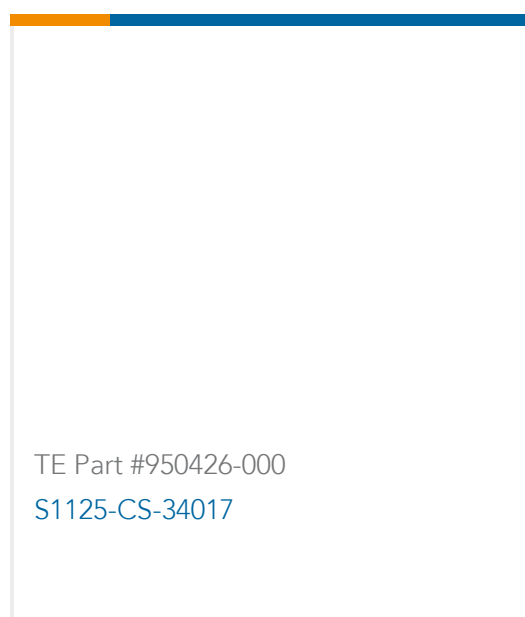
TE Part #6752153001
VG-95218-T023-F013



TE Part #CW9557-000
CBS-24CN21-21M-9



TE Part #036977-000
DK-3716-E212-TS



Documents

Product Drawings

[D-602-0123](#)

English

Datasheets & Catalog Pages

[1654025_Sec8_D-602](#)

English

SolderTacts Contacts

English

Product Specifications

[Termination Procedure for D-602-0122, D-602-0123 Coaxial Contacts MIL-C-38999, Size 8](#)

English