

1-830126-3 ✓ ACTIVE

LGH

TE Internal #: 1-830126-3

Circular Power Connectors, Lead Assembly, 20000 VDC, 16 AWG

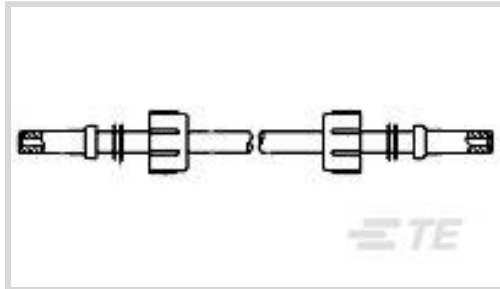
Wire Size, Wire-to-Wire, 1 Position, Wire & Cable, Socket, -55 – 125

°C [-67 – 257 °F]

[View on TE.com >](#)



Connectors > Power Connectors > Circular Power > Circular Power Connectors



Connector Product Type: **Lead Assembly**

Operating Voltage: **20000 VDC**

Wire Size: **16 AWG**

Connector System: **Wire-to-Wire**

Number of Positions: **1**

Features

Product Type Features

Connector Product Type	Lead Assembly
Connector System	Wire-to-Wire
Sealable	No
Connector & Contact Terminates To	Wire & Cable

Configuration Features

Number of Positions	1
---------------------	---

Electrical Characteristics

Operating Voltage	20000 VDC
-------------------	-----------

Body Features

Positive Stop Ferrule	Without
-----------------------	---------

Contact Features

Contact Type	Socket
Contact Protection	Without

Termination Features

Termination Method to Wire & Cable	Pre-Terminated to Cable
------------------------------------	-------------------------

Mechanical Attachment

Mating Alignment	With
------------------	------



Dimensions

Wire Size	16 AWG
Assembly Length	304.8 mm[12 in]

Usage Conditions

Operating Temperature Range	-55 – 125 °C[-67 – 257 °F]
-----------------------------	----------------------------

Operation/Application

Shielded	No
----------	----

Packaging Features

Packaging Quantity	7
Packaging Method	Package

Product Compliance

[For compliance documentation, visit the product page on TE.com>](#)

EU RoHS Directive 2011/65/EU	Compliant with Exemptions
EU ELV Directive 2000/53/EC	Compliant with Exemptions
China RoHS 2 Directive MIIT Order No 32, 2016	Restricted Materials Above Threshold
EU REACH Regulation (EC) No. 1907/2006	Current ECHA Candidate List: JUNE 2024 (241) Candidate List Declared Against: JUNE 2023 (235) SVHC > Threshold: Pb (4% in Contact/Component) Article Safe Usage Statements: Do not eat, drink or smoke when using this product. Wash thoroughly after handling. Recycle if possible and dispose of the article by following all applicable governmental regulations relevant to your geographic location.
Halogen Content	Not Yet Reviewed for halogen content
Solder Process Capability	Not applicable for solder process capability

Product Compliance Disclaimer

This information is provided based on reasonable inquiry of our suppliers and represents our current actual knowledge based on the information they provided. This information is subject to change. The part numbers that TE has identified as EU RoHS compliant have a maximum concentration of 0.1% by weight in homogenous materials for lead, hexavalent chromium, mercury, PBB, PBDE, DBP, BBP, DEHP, DIBP, and 0.01% for cadmium, or qualify for an exemption to these limits as defined in the Annexes of Directive 2011/65/EU (RoHS2). Finished electrical and electronic equipment products will be CE marked as required by Directive 2011/65/EU. Components may not be CE marked. Additionally, the part numbers that TE has identified as EU ELV compliant have a maximum concentration of 0.1% by weight in homogenous materials for lead, hexavalent chromium, and mercury, and 0.01% for cadmium, or qualify for an exemption to these limits as defined in the Annexes of Directive 2000/53/EC (ELV). Regarding the REACH Regulation, the information TE provides on SVHC in articles for this part number is based on the latest European Chemicals Agency (ECHA) 'Guidance on requirements for substances in articles' posted at this URL: <https://echa.europa.eu/guidance-documents/guidance-on-reach>

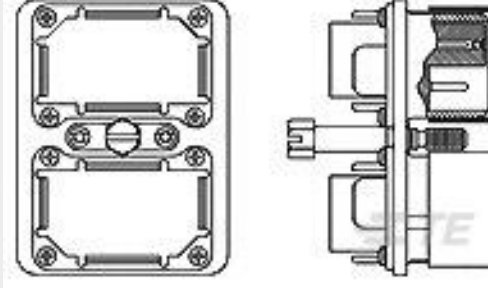
Customers Also Bought



TE Part #1060329-1
5104 5003 09



TE Part #552320-1
ASSY, PLUG, 64 POSN, C SLOT



TE Part #207596-5
DUAL PLUG W/MALE J.S.



TE Part #5-1532019-2
095-0573-0302=MCJB2-26SS



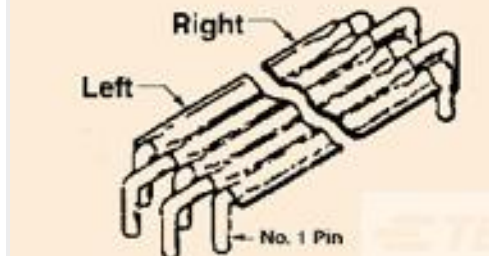
TE Part #849581-5
LGH-1 DBL END SHLD LEAD ASY



TE Part #863755-1
5 CONTACT RECPT, KIT



TE Part #ZPF000000000019265
FDBA 56-14-15 SN-K 090



TE Part #8-1437180-3
FST-11C-20



TE Part #1-87527-2
12 MODII HDR SRST UNSHRD .100



TE Part #858886-2
LGH 1/2L SGL MLD END

Documents

Product Drawings

[LGH 1, DBL MLD END](#)

English

Product Specifications

[Product Specification](#)

English