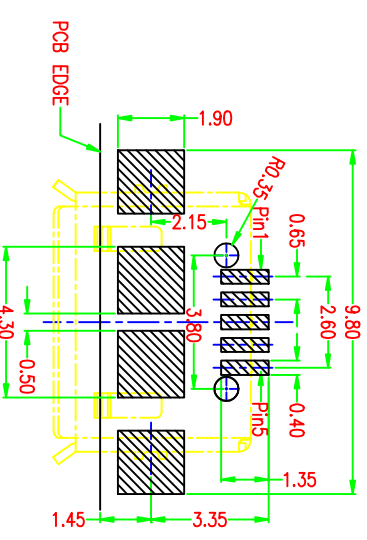
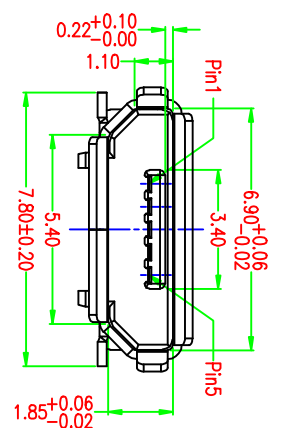
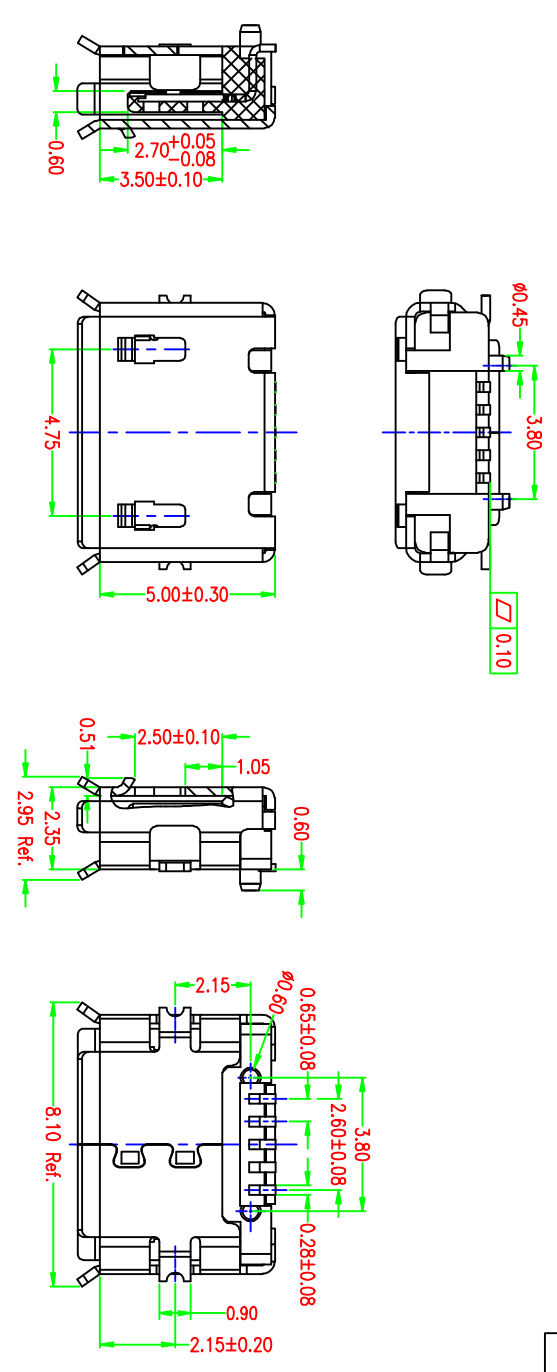


REV.	EQN NO.	LOCATIONS	DESCRIPTION	DATE



RECOMMENDED PCB LAYOUT 印刷板仅供参考

Note:

- Material:
 - Housing: High temperature thermoplastic with g.f.I,UL94V-0
 - Contact: copper alloy t=0.20mm
 - Shell: copper alloy t=0.25mm
- Specification:
 - Current rating: 1.5PIN 1.8A Max/2.3,4PIN 1A Max voltage: 100 V(ac) for 1 min.
 - Dielectric withstanding voltage: 100 V(ac) for 1 min.
 - Contact resistance: 30 mΩ Max.
 - Insulation resistance: 100 MΩ Min.
 - Total mating force: 3.57 Kgf Max.
 - Total unmating force: 1.0 Kgf Min
 - Temperature range: -30°C~80°C

A 01 S B X X X X X X X X X X X X

① ② ③ ④ ⑤ ⑥ ⑦ ⑧ ⑨ ⑩ ⑪

1: 壳料颜色 壳料颜色
2: 壳料厚度 壳料厚度
3: 端子镀层 壳料颜色
4: 端子材料 壳料颜色

1: 壳料颜色 壳料颜色
2: 壳料厚度 壳料厚度
3: 端子镀层 壳料颜色
4: 端子材料 壳料颜色

PART NO:	A01SBXXXXXXX-015	MATERIAL:	SEE NOTE
MODEL NO:	XX	FINISH:	SEE NOTE
UNIT:	MM	SIZE:	A4
TOLERANCE UNSPECIFIED		DR:	xlqyong
.x	±0.15	CHK:	
.xx	±0.10	APP:	
.xxx	±0.05	SCALE:	5:1
Ang	±1°	DATE:	2012.05.16

深圳市精拓金电子有限公司

Micro usb to B Type 5pin插针3.0版

DWG NO: A015

SCALE: 5:1

DATE: 2012.05.16

REV: A