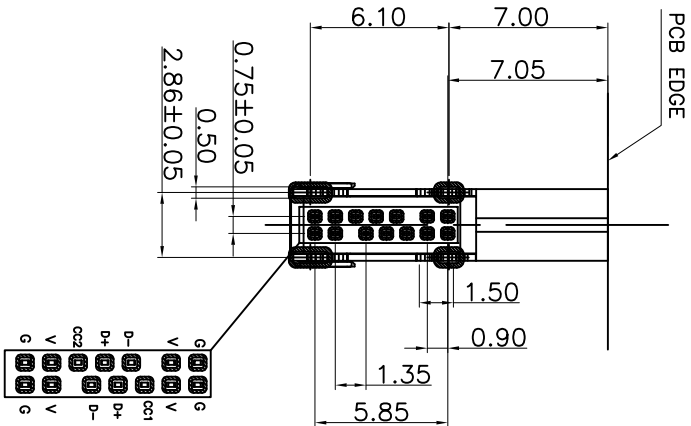
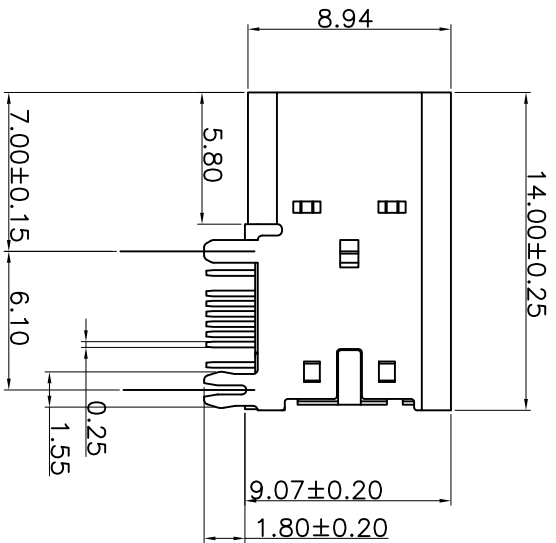
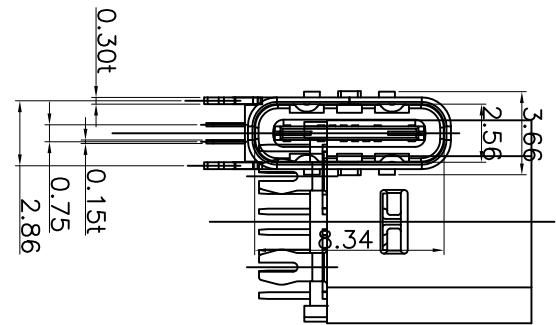
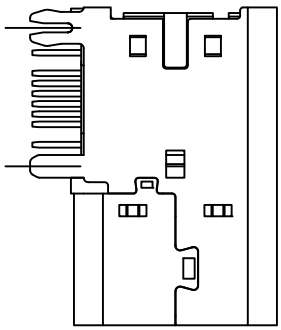
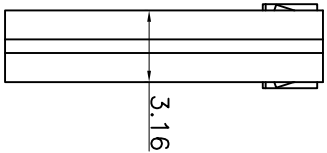
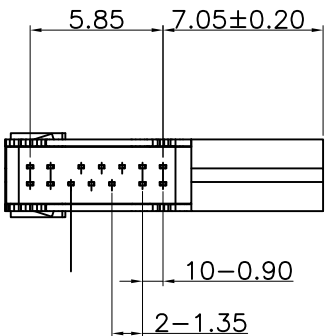


MAPX	MODIFICATION	DATE
------	--------------	------



RECOMMENDED P.C.B. LAYOUT  
TOLERANCE UNSPECIFIED ±0.05mm



- NOTES:
1. MATERIAL:  
MOLDING: LCP UL94 V-0  
CONTACT: COPPER ALLOY.  
GOLD PLATED Min ON CONTACT AREA, 100u''  
Min TIN (LEAD FREE) ON SOLDER AREA,  
SHELL: SUS304-H, T=0.30±0.03mm  
50u'' NICKEL PLATING OVER ALL.  
SHILD: SUS304-H, T=0.12±0.03mm
  2. MECHANICAL:  
INSERTION: 5~20N.  
EXTRACTION: 8~20N AFTER TEST.  
DURABILITY: 10000 CYCLES
  3. ELECTRICAL:  
CURRENT: 5A FOR VBUS;  
1.25A FOR GND PIN.  
0.25A FOR OTHER  
VOLTAGE: 20 V MAX  
WITHSTANDING VOLTAGE: 100V AC R. M. S.  
CONTACT RESISTANCE: 40mΩ MAX.  
INSULATION RESISTANCE: 100MΩ MIN.  
TEMPERATURE RANGE -25° C ~ +85° C

产品图  
公差一览表

TOLERANCE UNLESS OTHERWISE SPECIFIED	公差一览表
X ±0.35	X ±5°
X ±0.30	X ±2°
XX ±0.20	XX ±1°
XXX ±0.10	XXX ±0.5°

深圳市精拓金电子有限公司

PRODUCT CHART DWG	单位	MM	制图	GAVIN	制图料号	
	UNITS	MM	DRAWING		PRODUCT PART NO.	
	SCALE	1:1	CHECK	郭治富	产品名称	
	DATE	2016-09-09	APPRO	黄国荣	TYPE C 2.0母座H4PIN 90度侧板带后盖	
					角法	
					版本	AD

1 2 3 4 7 8 9 10

由 Autodesk 教育版产品制作