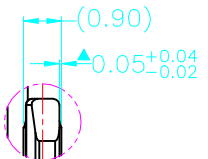
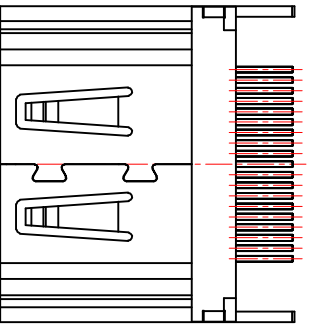
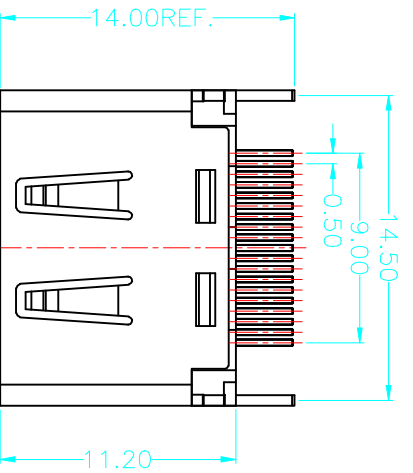
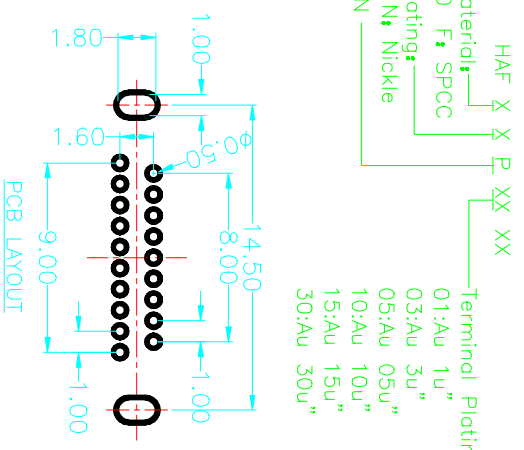
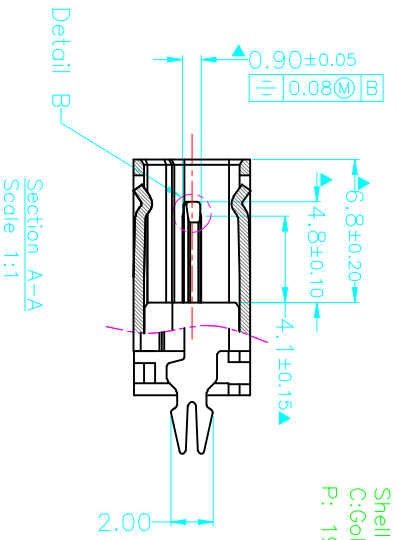
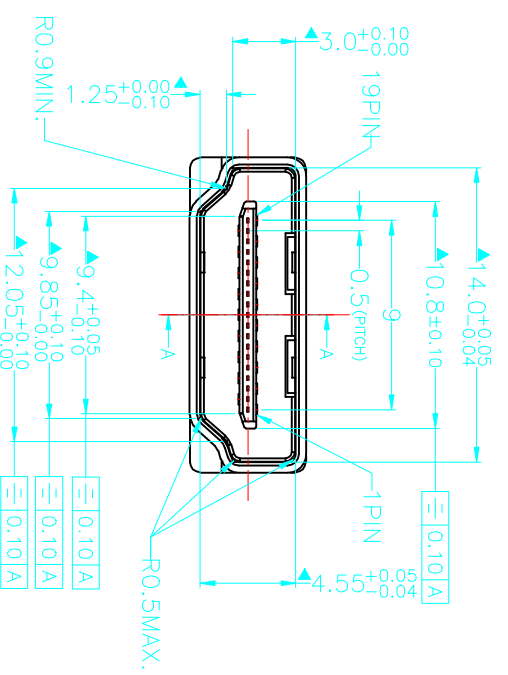


REV	ECN NO.	LOCATIONS	MODIFY CONTENT	DESIGN DATE



- Specifications:
1. Insertion force: 44.1N MAX.
  2. Withdrawal force: 9.8~39.2N.
  3. Durability: 10000 Cycles.
  4. Current rating: 0.5A
  5. Voltage rating: 40V AC MAX.
  6. Dielectric strength: 500V AC MIN. (UNMATED)
  7. Contact resistance: 30mΩ MAX. 500V AC MIN. (MATED)
  8. Insulation resistance: 100MΩ DC MIN. (UNMATED)
  9. Temperature: -40°C TO +85°C
  10. All the material must accord with the RoHS.
  11. The important dimensions with "▲"



Shell Material: C: C2680 F: SPCC  
 Shell Plating: C: Gold N: Nickle P: 19PIN  
 Terminal Plating: 01: Au 1u", 03: Au 3u", 05: Au 05u", 10: Au 10u", 15: Au 15u", 30: Au 30u"

NO.	PART NAME	MATERIAL	QTY	NOTE
01	Shell	SPCC/C2680	1	Plating nickle or gold overall
02	Housing	LCP	1	LCP+30%GF UL94-V0, Color is black
03	Terminal	C5191	19	Gold plated within connect area ,Tin plated within solder area

TOLERANCE UNSPECIFIED	DWG. NO.	REV.	SIZE	SHEET
X: ±0.30	A01-00XX	X: ±4'	A4	1/2
X: ±0.20		X: ±3'		
X: ±0.15		XX: ±2'		
XXX: ±0.05		XXX: ±1'		

DRAWN	CHECKED	APPROVED	DATE	SCALE
JAY/PENG			2012/7/30	3:1

深圳市精拓金电子有限公司