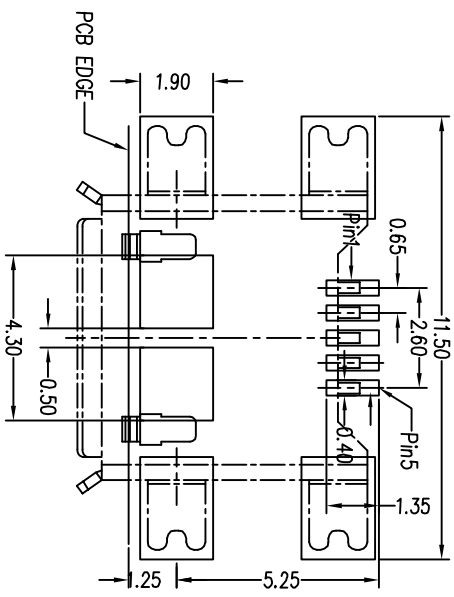
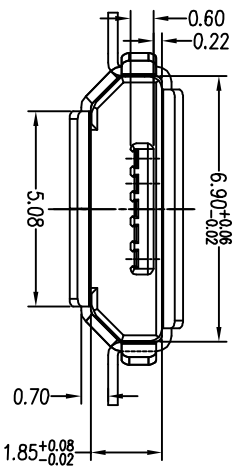
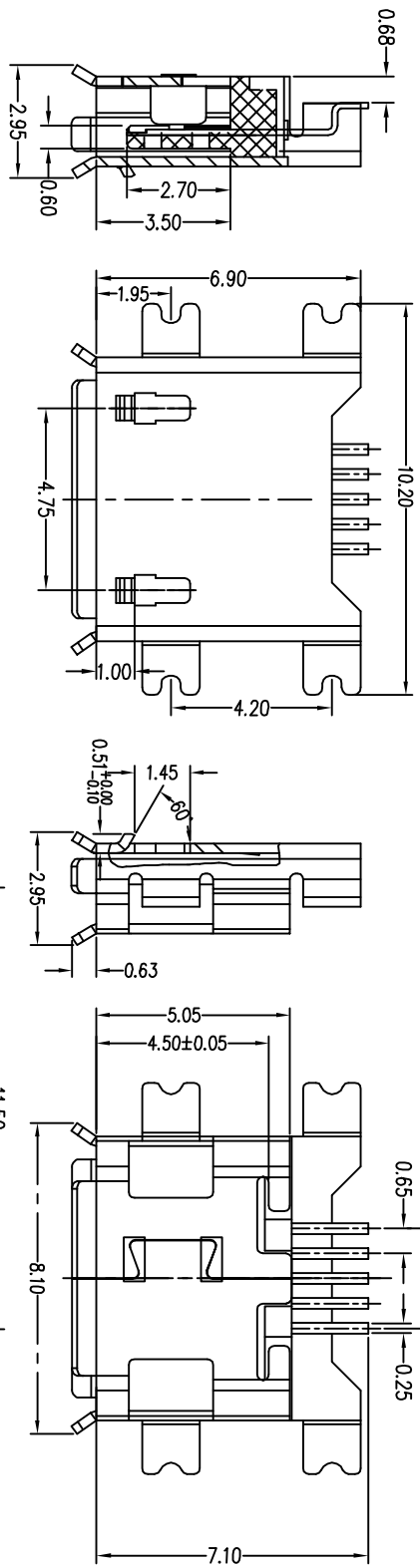
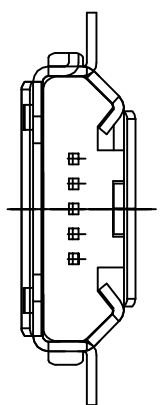


REV.	EQN NO	LOCATIONS	DESCRIPTION	DATE	REVISER	APPD



RECOMMENDED PCB LAYOUT

- Note:
- Material:
    - Housing: High temperature thermoplastic with g.f.i:UL94V-0
    - Contact: copper alloy,t=0.20mm
    - Shell: copper alloy,t=0.25mm
  - Specification:
    - Current rating: 1 A Max.
    - Dielectric withstanding voltage: 100 V(ac) for 1 min.
    - Contact resistance: 50 mΩ Max.
    - Insulation resistance: 100 MΩ Min.
    - Total mating force: 3.57 Kgf Max.
    - Total unmating force: 1.0 Kgf Min.0.81~2.05 Kgf Min.after 10000 insertion/extraction cycles
    - Temperature range: -30C~80C

Order Information:

1-MD05SMXXX-01  
 ① ② ③ ④ ⑤ ⑥ ⑦ ⑧ ⑨

- |                |           |                    |                  |
|----------------|-----------|--------------------|------------------|
| 1: Assy.       | 5: Style  | 7: Contact plating | 8: Shell plating |
| 2: Series No.  | M: Smt    | 1: 1u"             | T: Tin           |
| 3: Contact No. | 6: Color  | 2: 3u"             | N: Nickel        |
| 05: 5 pos.     | B: Black  | 3: 5u"             | A: Au plated all |
| 4: P: Plug     | W: White  | 4: 15u"            | B: None          |
| S: Socket      | N: Nature | 5: 30u"            | ...              |

PART NO: 1-MD05SMXXX-01		MATERIAL: SEE NOTE	
MODEL NO: SEE NOTE		FINSH: SEE NOTE	
UNIT: mm	SIZE: A4	COLOR: SEE NOTE	DR: ???
TOLERANCE UNSPECIFIED		DWG NO: A055	
.x	±0.38	TITLE: Micro usb 5s B Type (微插口) CUSTOMER DRAWING	
.xx	±0.25	CHK: APP: SCALE: 1:1	SHEET: 1/1
.xxx	±0.13	REV: A	REV: A
ANG.	±2°	REV: A	

深圳市精拓金电子有限公司

CUSTOMER DRAWING

